



INSTALLATION INSTRUCTIONS

**To suit Nissan NP300 Navara
Dual Cab 06/2015 - 12/2020.**



INSTALLATION TIME: 2 Hours (Approximately)

IMPORTANT	<ul style="list-style-type: none"> Do not stand/sit or rest heavy objects on Roll R Cover Humans or animals are not to be under the closed cover at any given time Tonneau Cover is not dust or water tight If contact with volatile chemicals occur, clean Cover with mild detergent and water solution 			
Care Instructions	<ul style="list-style-type: none"> Read Instructions fully before commencing installation. Clean Cover with a mild detergent and water solution Do not use abrasive cleaners or solvents Refer to manufactures instructions applicable to power drill. Protect Tub floor against scratches during installation process. 			
Maintenance	Refer to Maintenance instructions.			
Tools Required	<table style="width: 100%; border: none;"> <tr> <td style="vertical-align: top; width: 33%;"> <ul style="list-style-type: none"> Pen / Marker Centre Punch Drill & Drill bits Caulking Gun Silicon - Non Acetic </td> <td style="vertical-align: top; width: 33%;"> <ul style="list-style-type: none"> Scissors & Knife Spanner & Socket Tape measure Holesaw Filing tool </td> <td style="vertical-align: top; width: 33%;"> <ul style="list-style-type: none"> Soapy water solution Allen Key set Screw driver Rust Inhibitor Trim Removal Tool </td> </tr> </table>	<ul style="list-style-type: none"> Pen / Marker Centre Punch Drill & Drill bits Caulking Gun Silicon - Non Acetic 	<ul style="list-style-type: none"> Scissors & Knife Spanner & Socket Tape measure Holesaw Filing tool 	<ul style="list-style-type: none"> Soapy water solution Allen Key set Screw driver Rust Inhibitor Trim Removal Tool
<ul style="list-style-type: none"> Pen / Marker Centre Punch Drill & Drill bits Caulking Gun Silicon - Non Acetic 	<ul style="list-style-type: none"> Scissors & Knife Spanner & Socket Tape measure Holesaw Filing tool 	<ul style="list-style-type: none"> Soapy water solution Allen Key set Screw driver Rust Inhibitor Trim Removal Tool 		

PERSONAL PROTECTIVE EQUIPMENT:



Rubber Gloves




Goggles

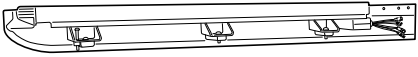


Hearing Protection

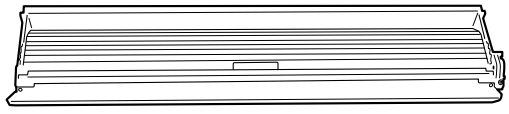
BOX CONTENTS

LEFT & RIGHT SIDE RAIL

S2.5-DC-AE-002ps-NP4 

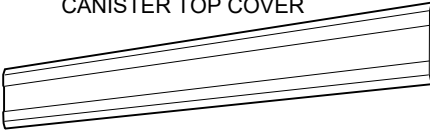
S2.5-DC-AE-003ds-NP4 

CANISTER ASSEMBLY




S3-DC-AF-NN4R-001-002


CANISTER TOP COVER



S2.5-DC-AE-005 -NP4


TOP COVER END CAPS

 S2.5-DC-PI-004ps

 S2.5-DC-PI-004ds



COUNTERSUNK SCREW Qty - 4



FLAT PLATE Qty- 2




50449 D-SPONGE Qty-2




BATTERY LOOM S2.75



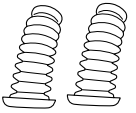
CL-LOOM-LONG



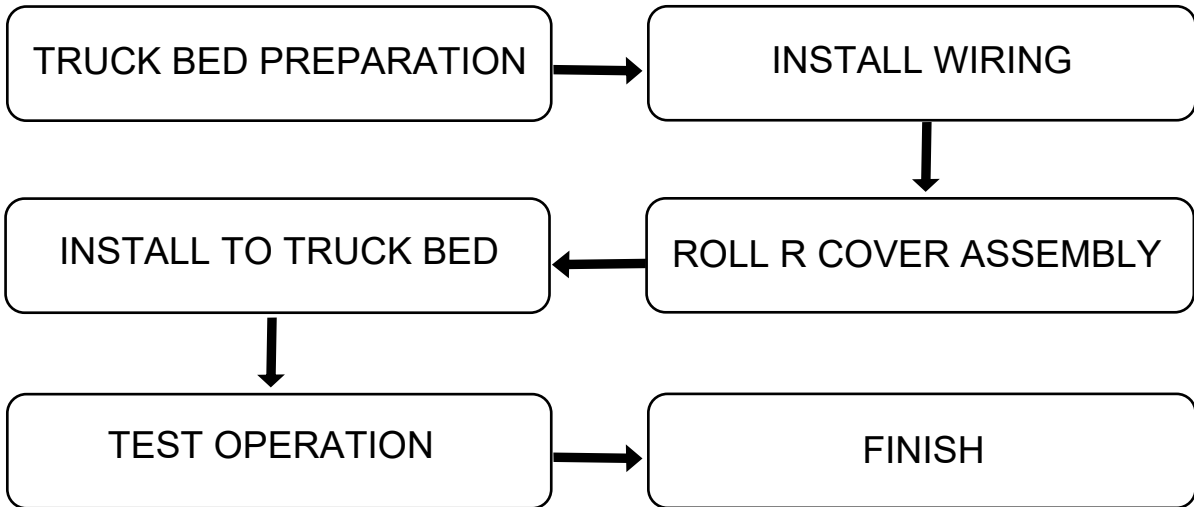
NP-PATCH



CABLE TIE Qty x 16

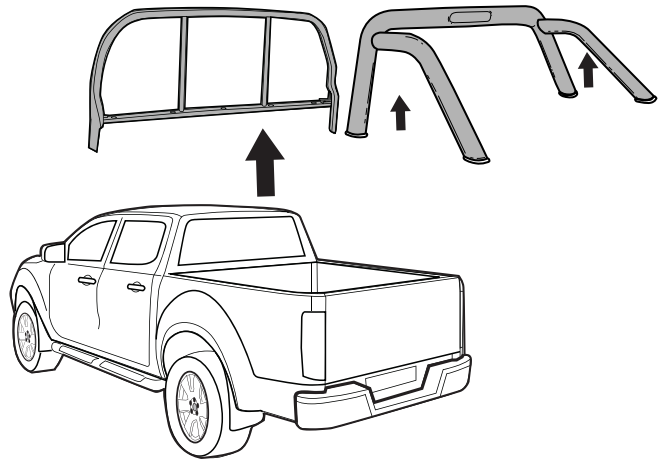


Drainage pipe Qty - 2

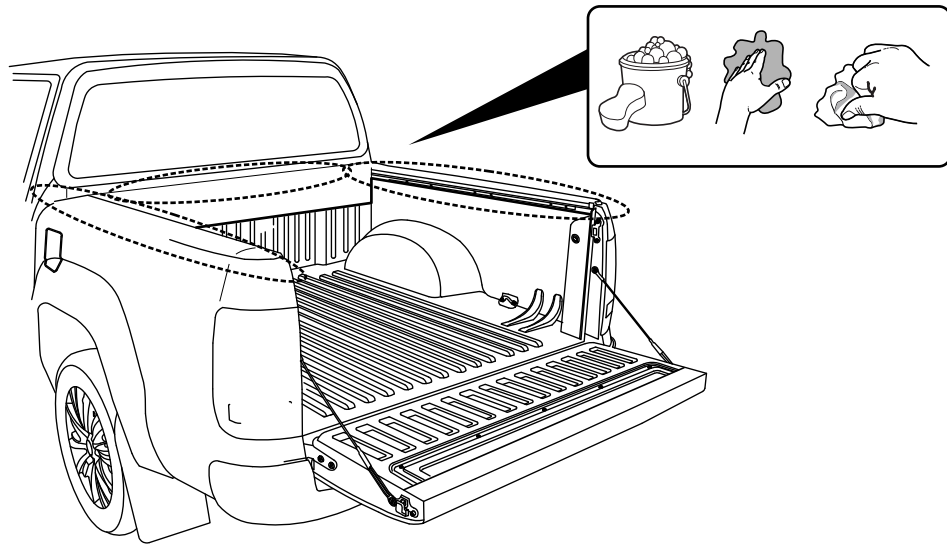


TUB PREPARATION

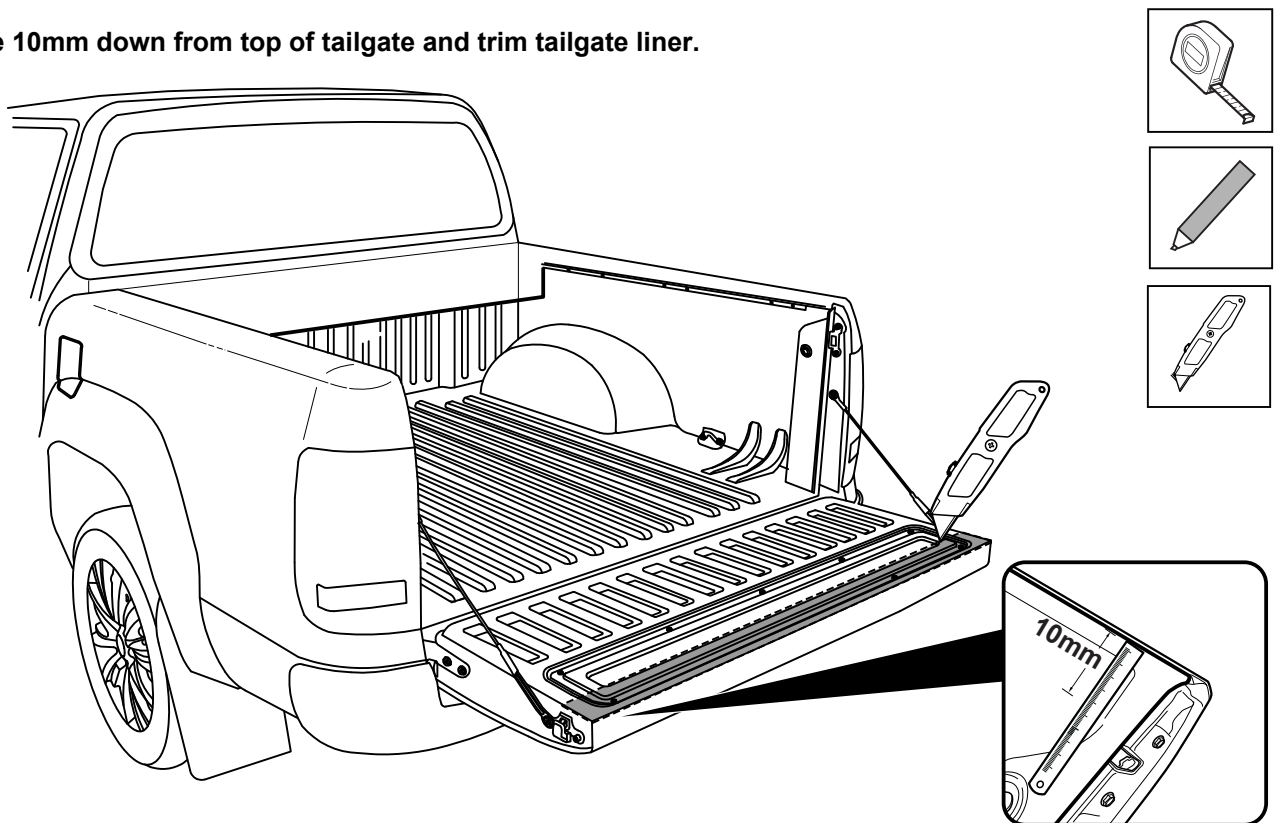
If the Vehicle is fitted with a cabin guard or sports styling bar, remove from Ute Tub (truck bed).



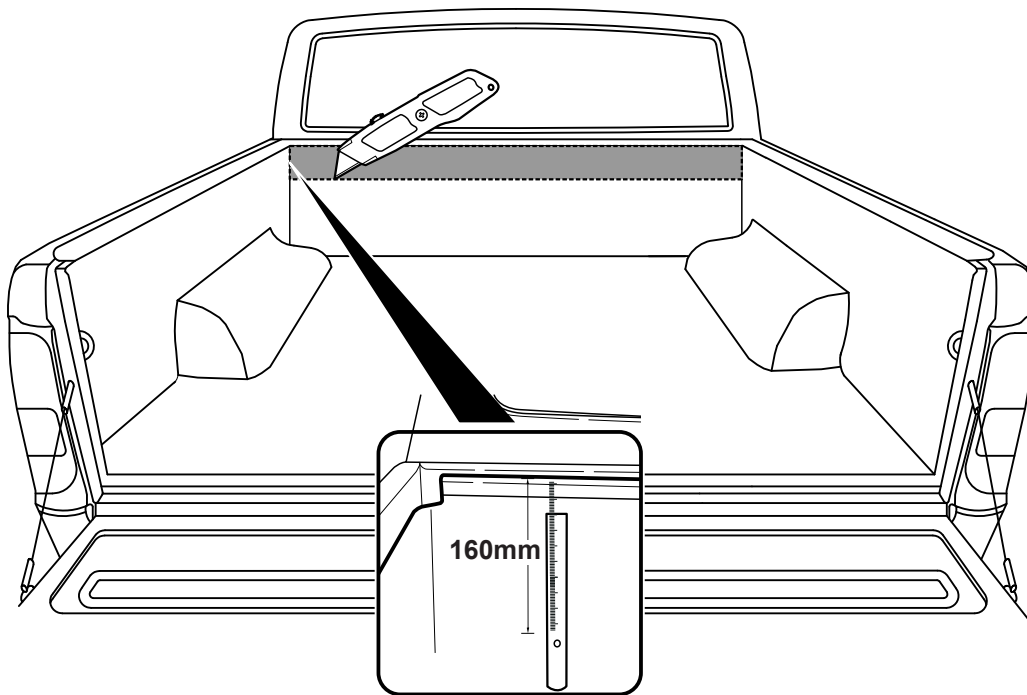
Clean are as indicated.



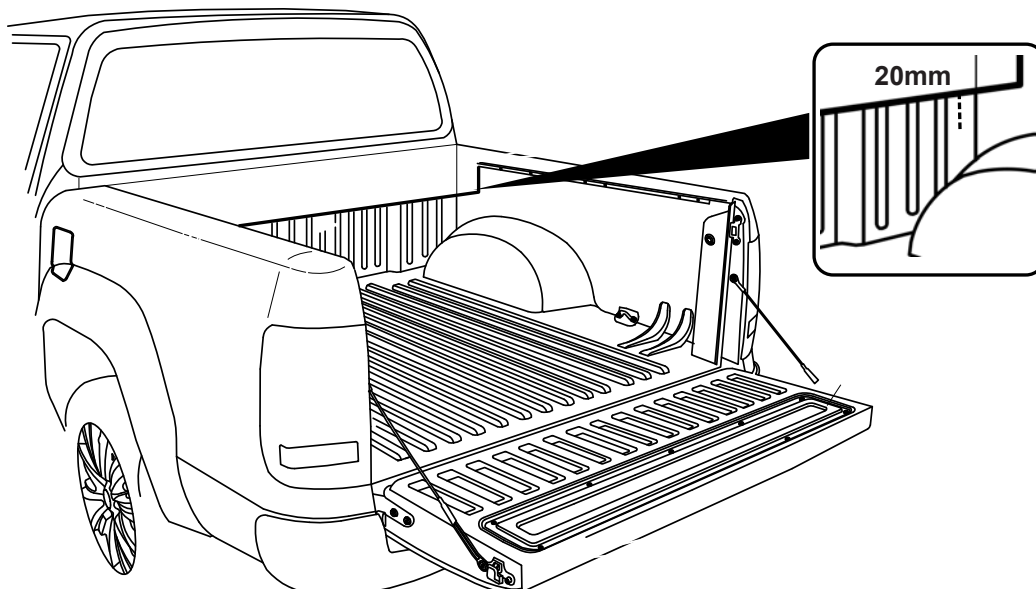
Measure 10mm down from top of tailgate and trim tailgate liner.



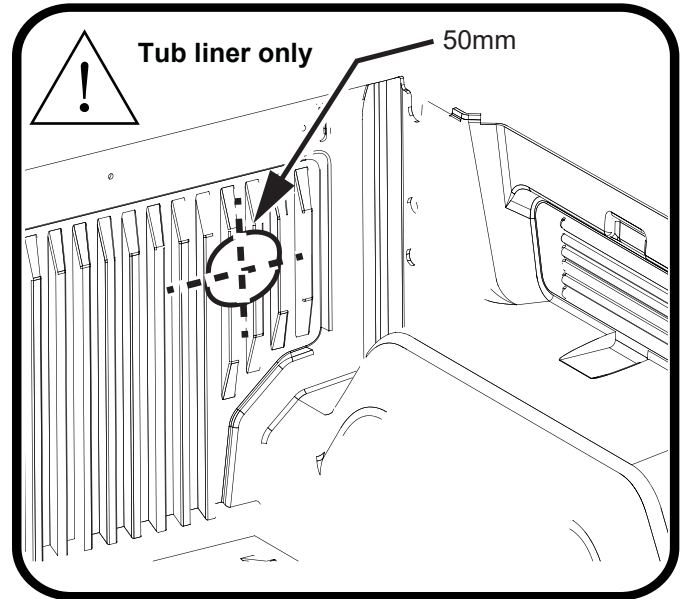
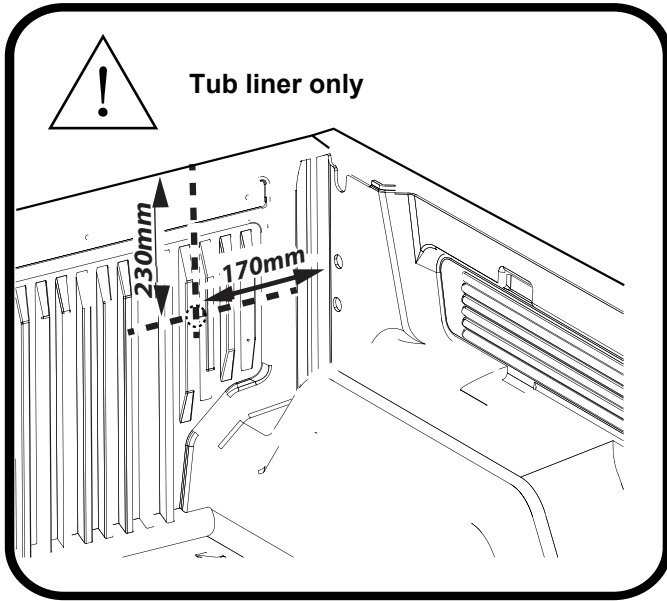
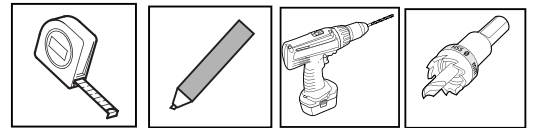
Measure 160mm down from top of Ute bed (head rail) and mark across to the other side.
Trim front of bed liner by 160mm from the top of the Ute bed as shown.



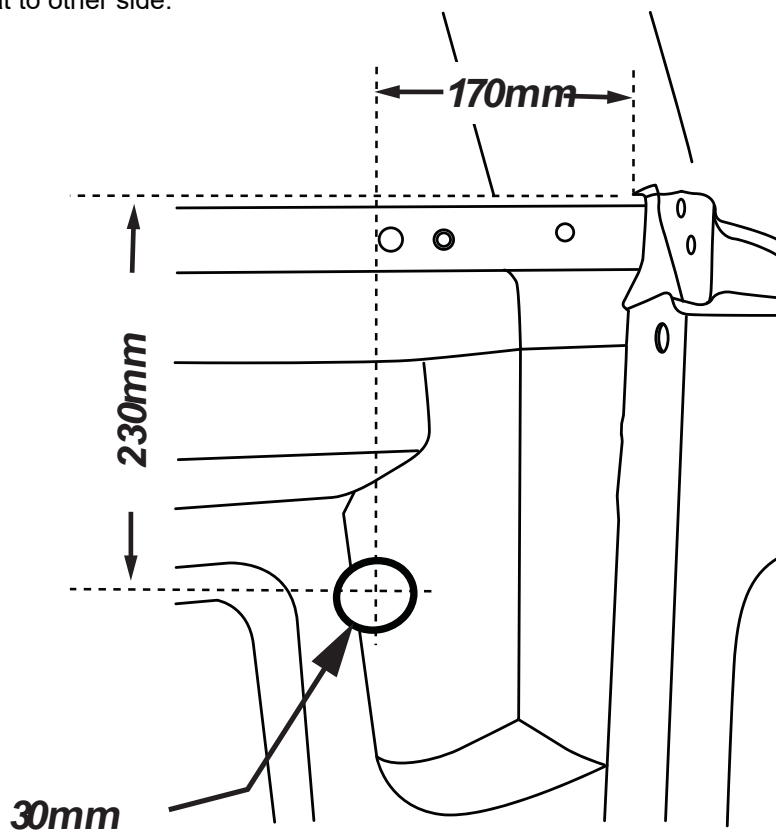
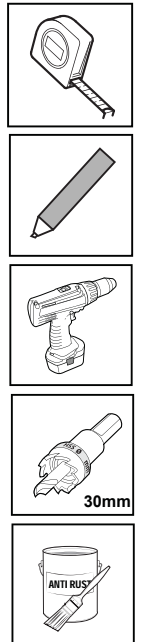
Cut a 20mm split for bed liner to flex.



Measure down from top of assembly bar 230mm & 170 mm from inside wall of bed liner as shown. Repeat to the other side. Using a 50mm hole-saw drill the liner only as indicated.

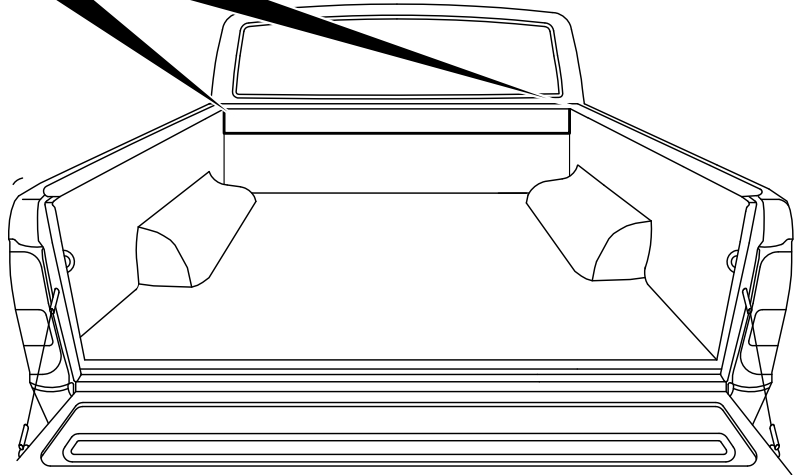
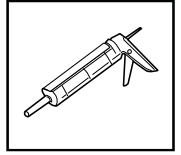
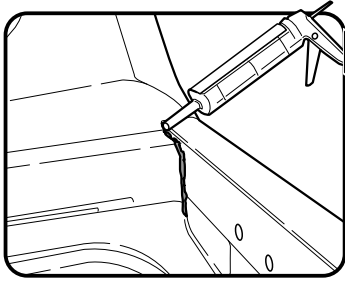


Measure down from top of headboard 230mm & 170mm from inside wall of bed as shown. Repeat to the other side. Using a 30mm hole-saw drill through tub front panel, file away any sharp edges. Apply anti rust coating. Repeat to other side.

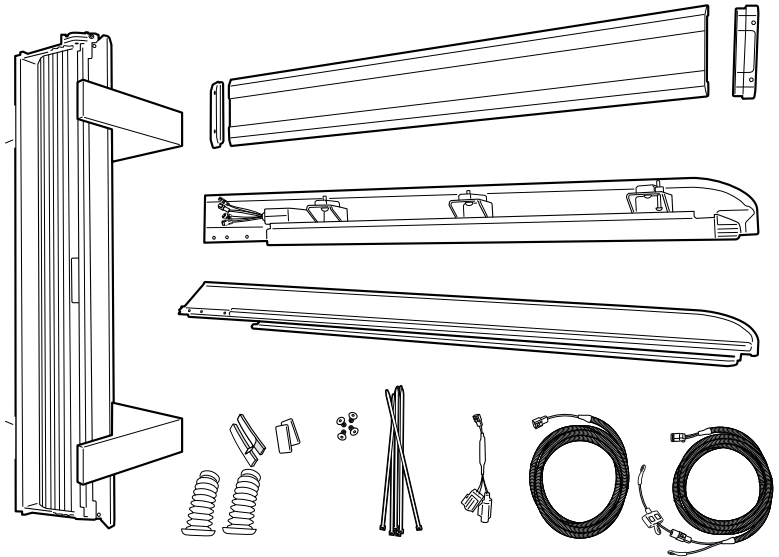
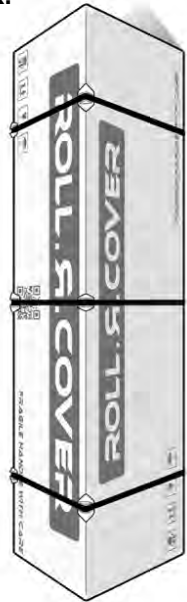


ATTENTION: Do not exceed 30mm hole.

Seal any exposed gaps or holes on the front panel of the Ute bed with sealant.



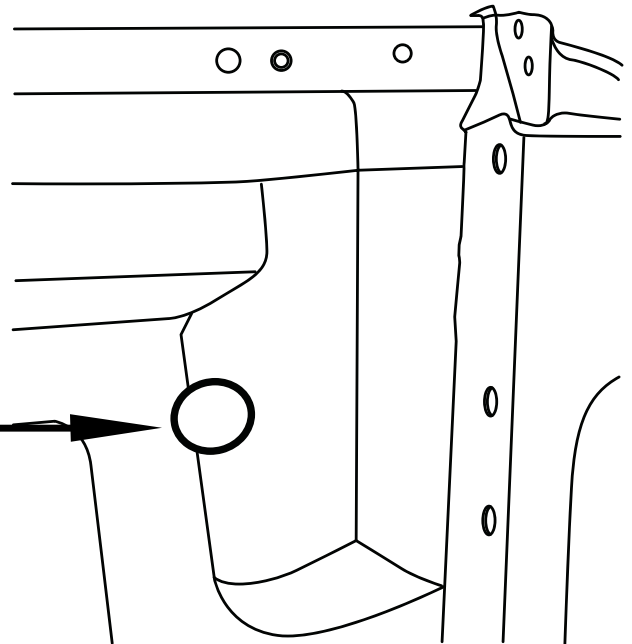
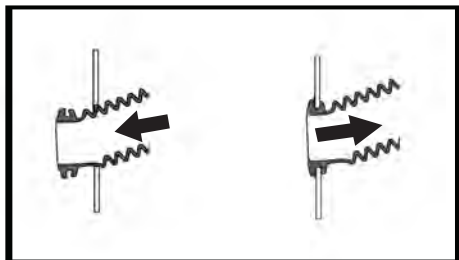
Carefully unpack the box.



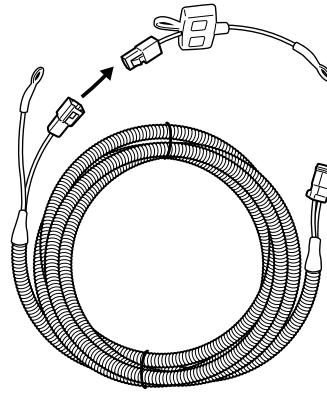
Install front drain pipes (55mm diameter end of hose) through pre-drilled holes on the front tub panel.



Note: With care push tube in.
Taking care pull the tube back so it seals correctly against the front panel of the tub.

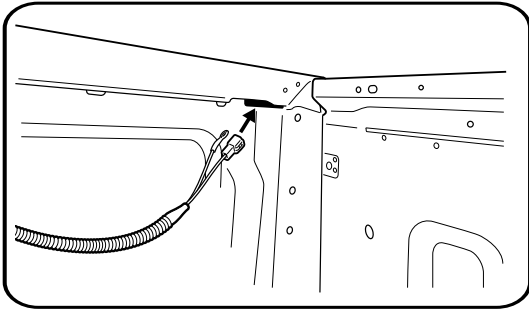


Disconnect fuse patch from battery loom S2.75.

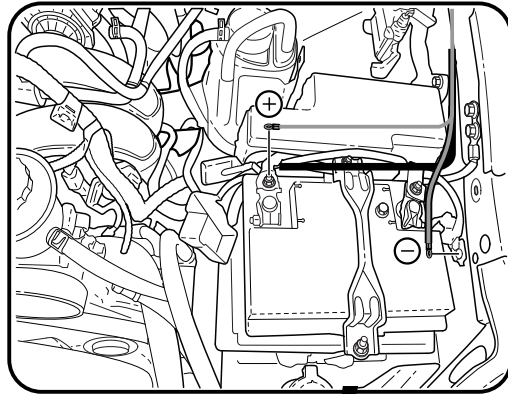


Wiring Harness steps

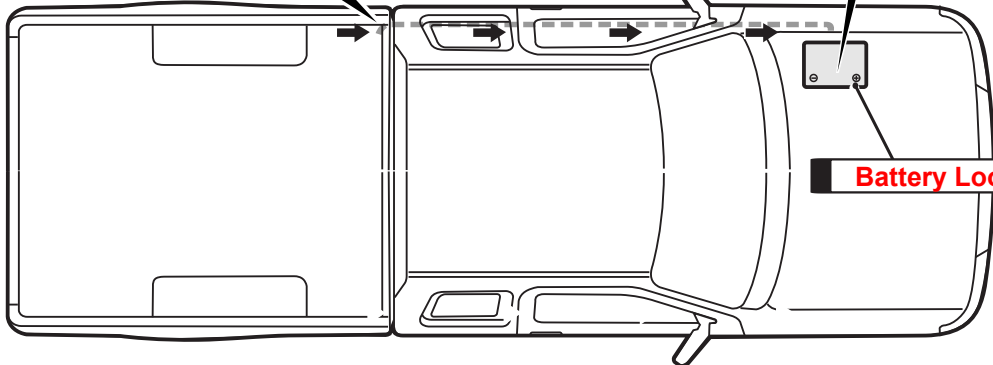
1 Feed Battery Loom S2.75 through the cavity



3

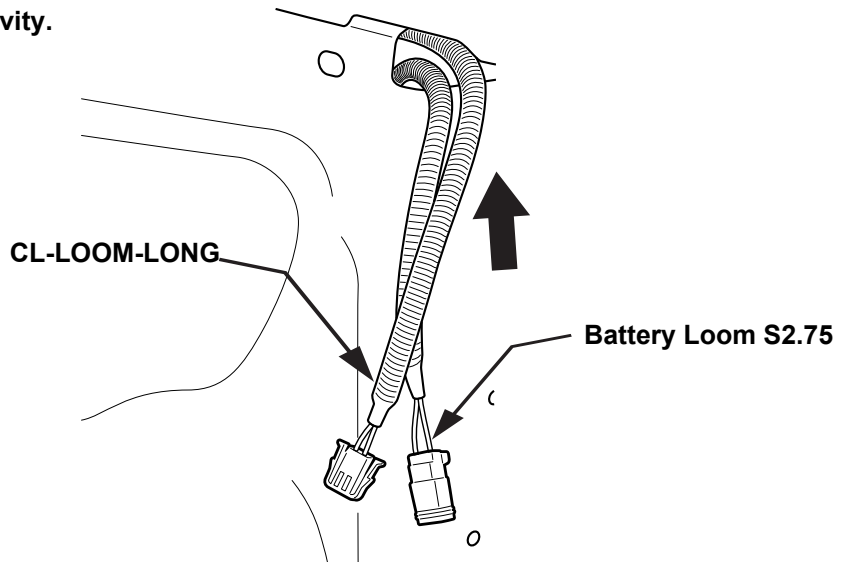


2

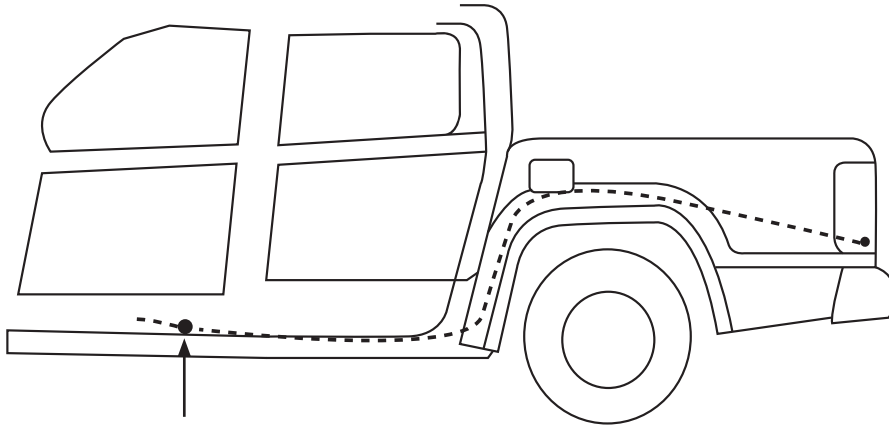


Run the wiring from the front corner cavity (leaving 200mm in the tub) to the battery over the chassis rail. Making sure to keep away from hot obstructions and cable tie every 400mm. Reconnect fuse patch to battery loom S2.75, now attach fuse patch to positive of battery and earth to the body of the Ute.

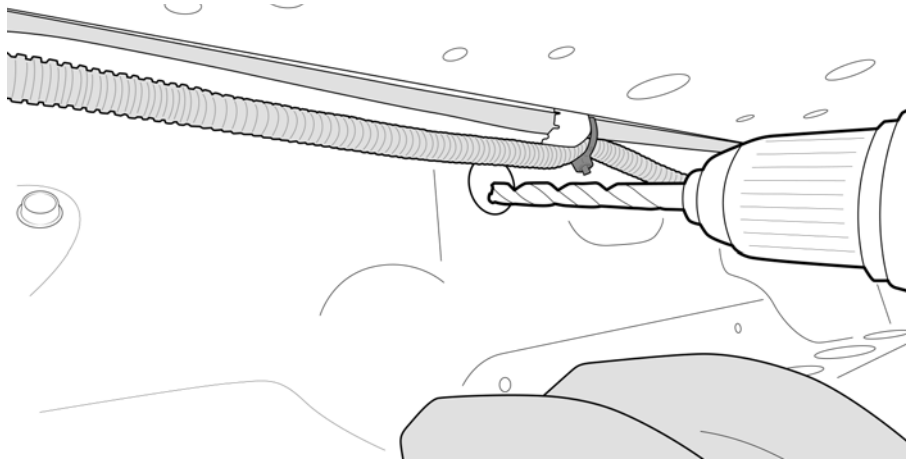
Feed CL-Short-Loom through the cavity.



Run cl-loom-long to front passenger door over chassis rail. Cable tie wiring every 500mm.



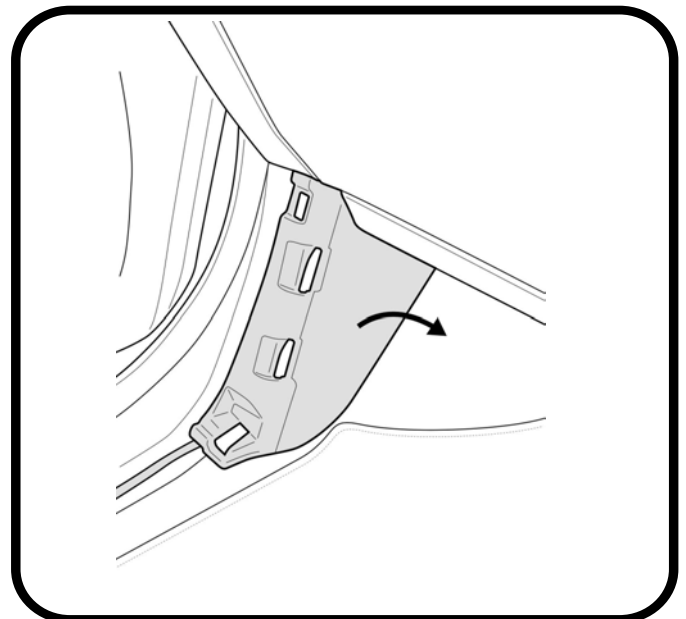
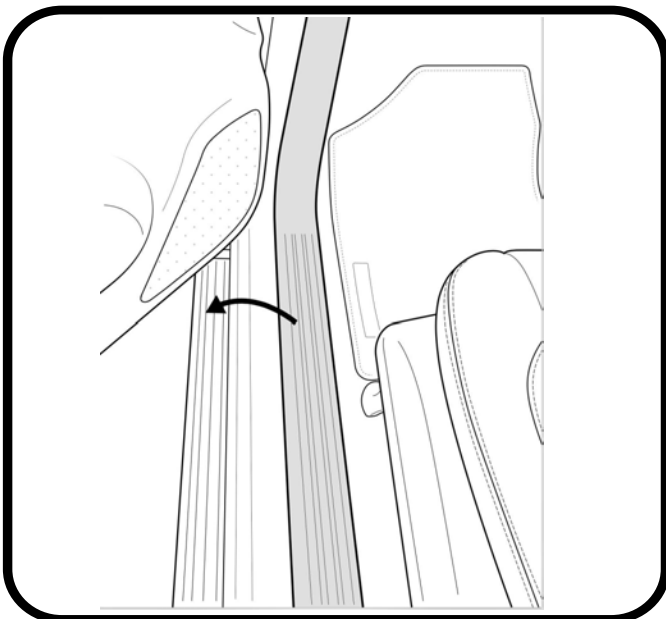
Make a small hole under the front passenger side rail. Be sure to check for obstructions on both sides. Run wiring through small hole made.



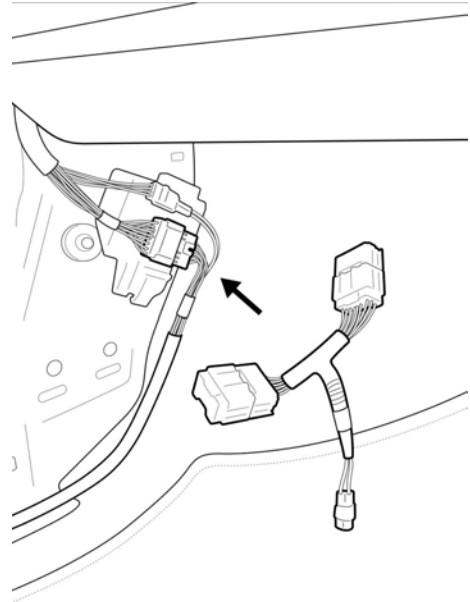
NOTE: To avoid drilling you can also run the loom through the grommets of the firewall into the kick panel. Seal accordingly.

Remove scuff plate.

Remove kicker panel.

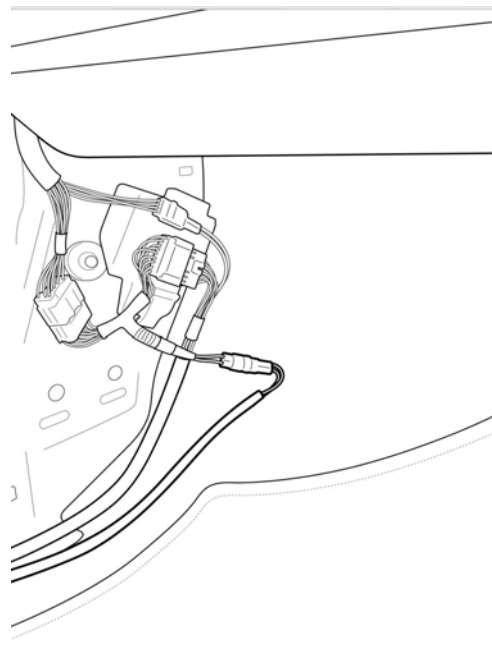


Unplug indicated wiring and plug NP-PATCH wiring.

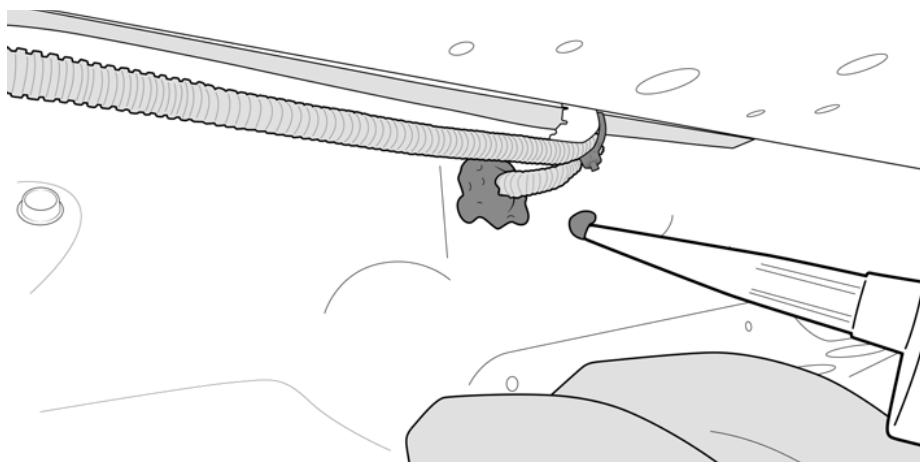


Plug CL-LOOM-LONG to PATCH wiring.

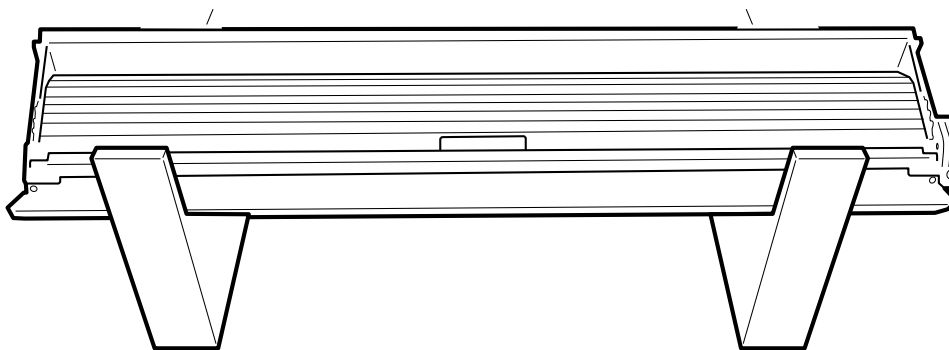
Cable tie overhang of wires and assemble all panels removed earlier.



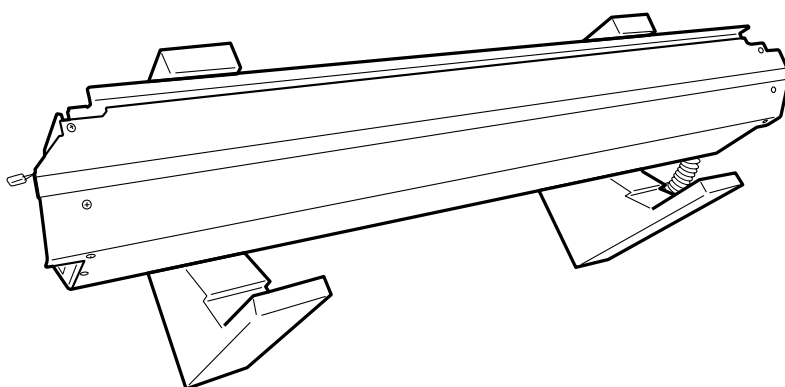
Seal any area where there was an incision or a hole made to have the loom feed in to the cab.



keep the cannister in the foam blocks from the packaging for assembly.

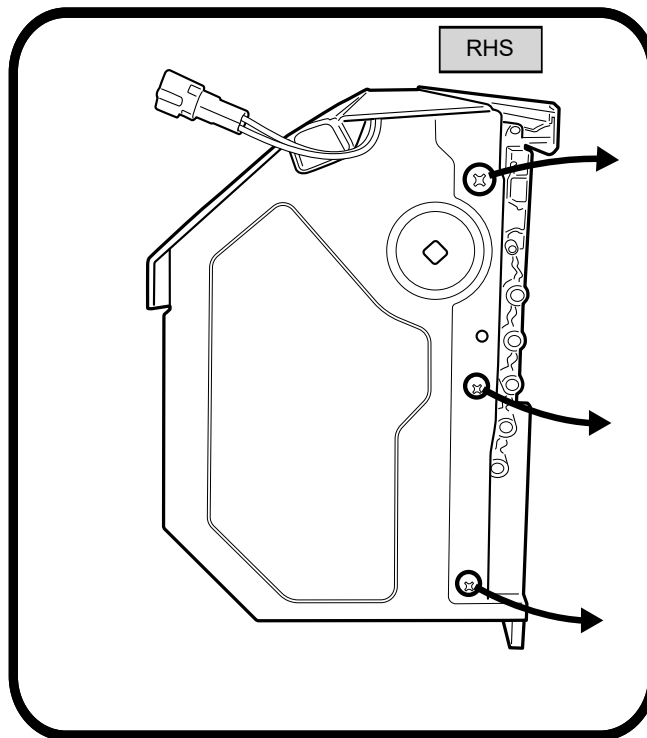
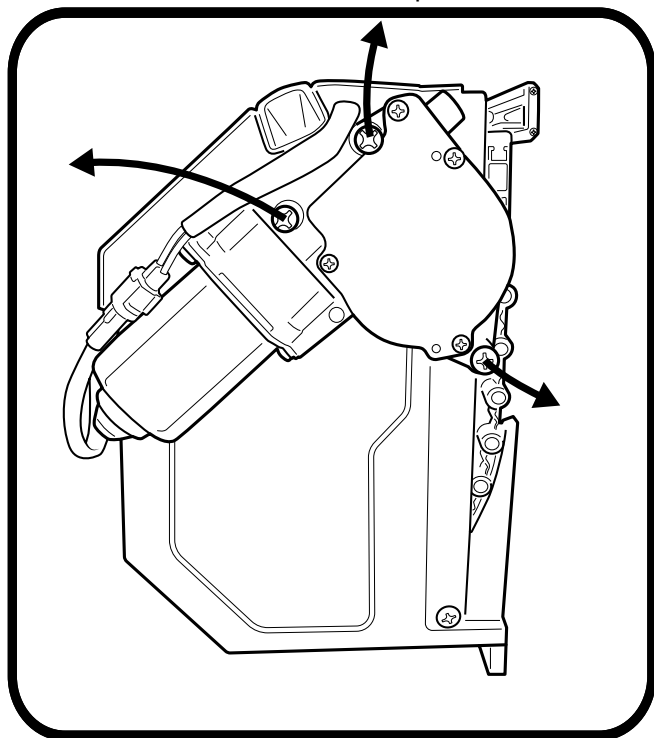
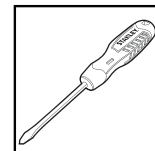


With assistance turn the canister on its back on the foam blocks.

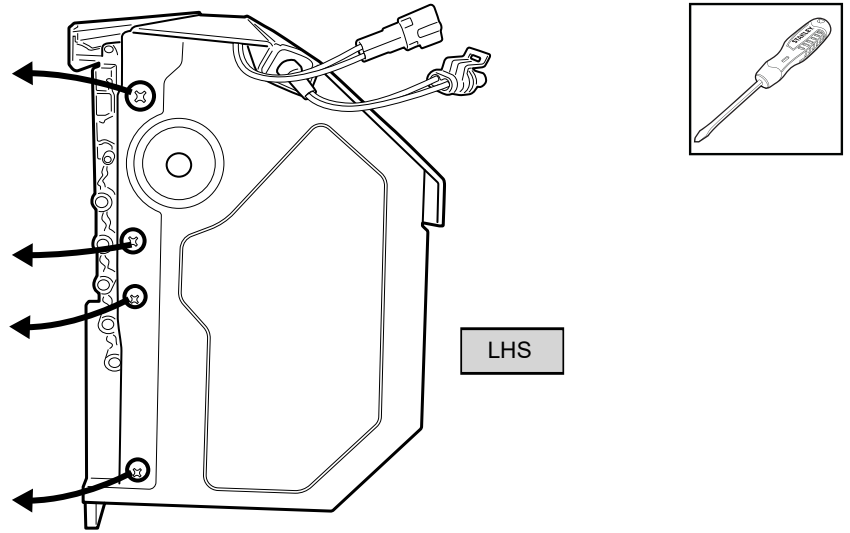


Disengage motor from the axle by unfastening the 3 Screw as indicated. Retain all parts.

Remove and retain the 3 screw from the canister as indicated.

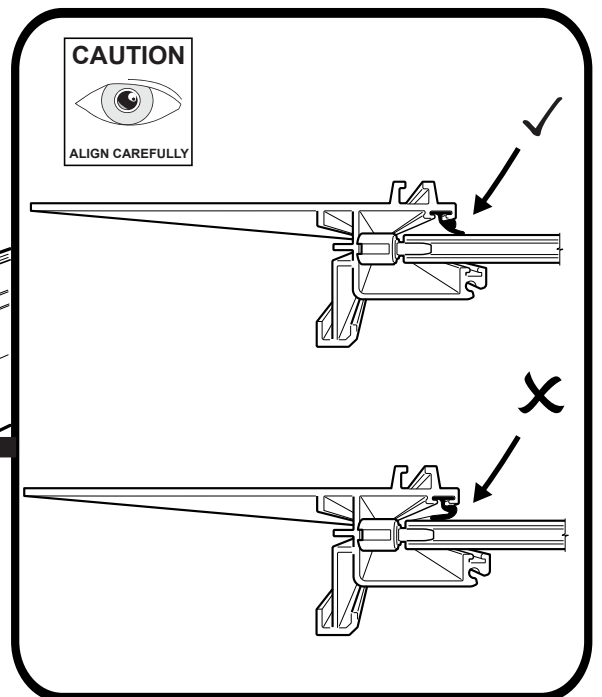
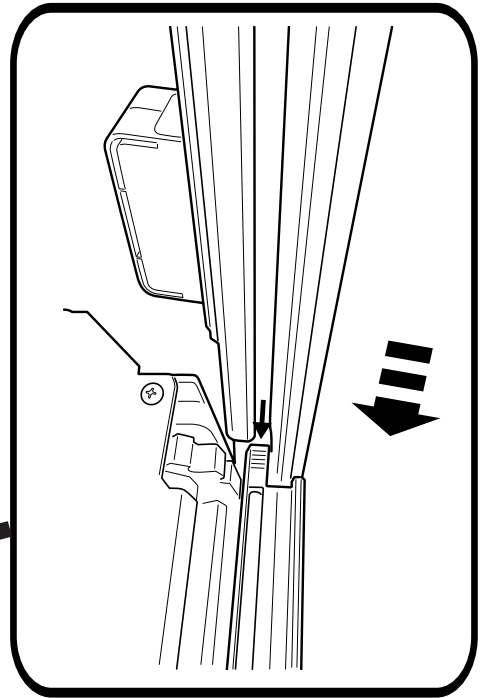
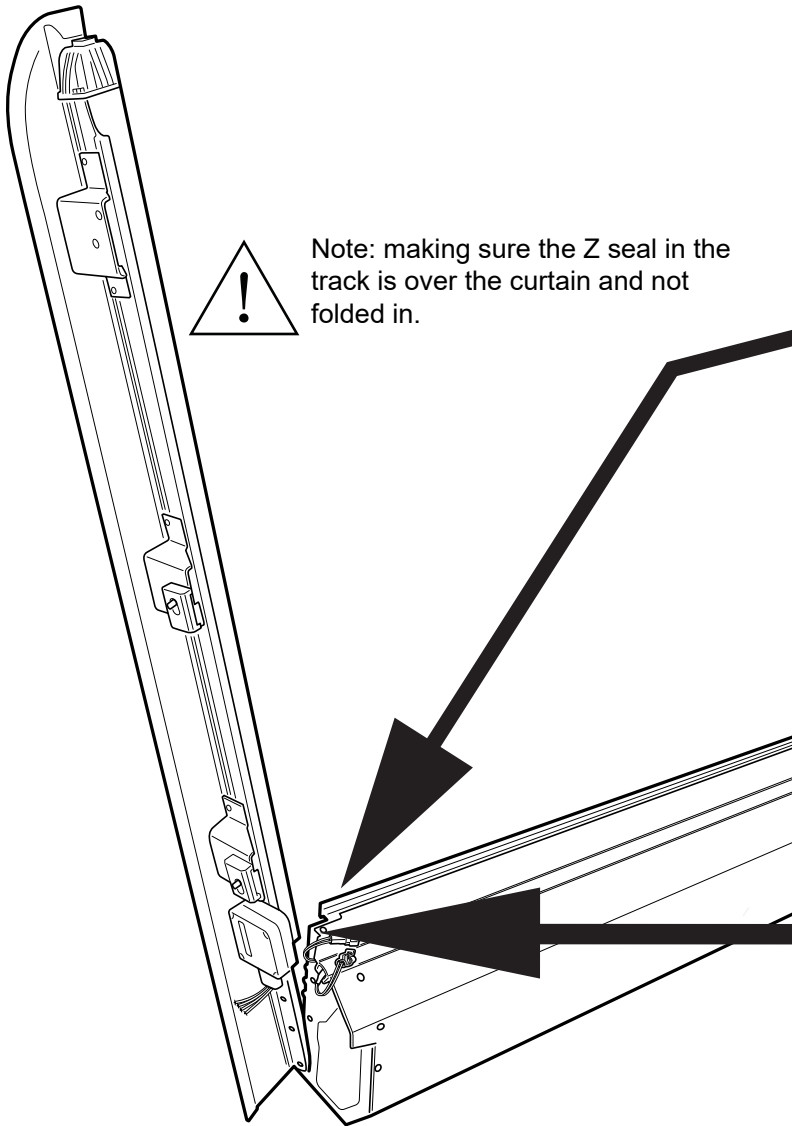


Now on the other side, remove and retain the 4 screws from the canister as indicated.

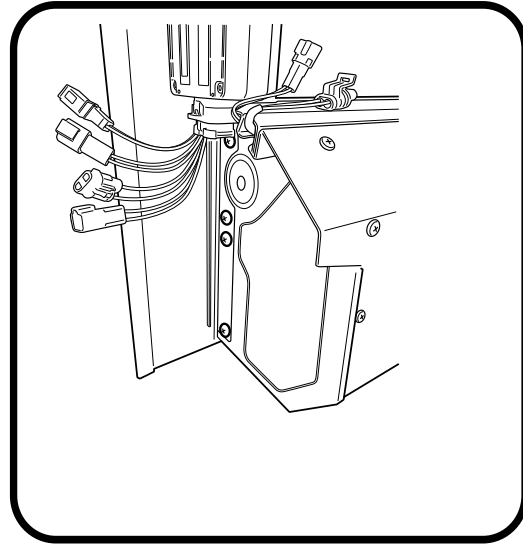
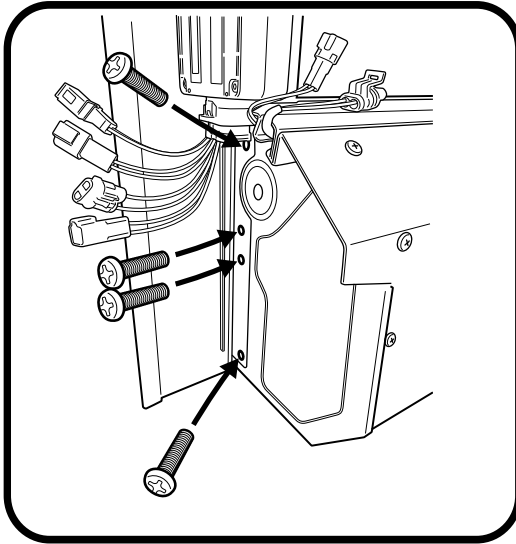
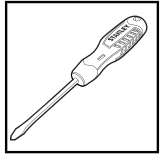


Align side rail to side of canister, guide the track to go in between the curtain end rubber stop.

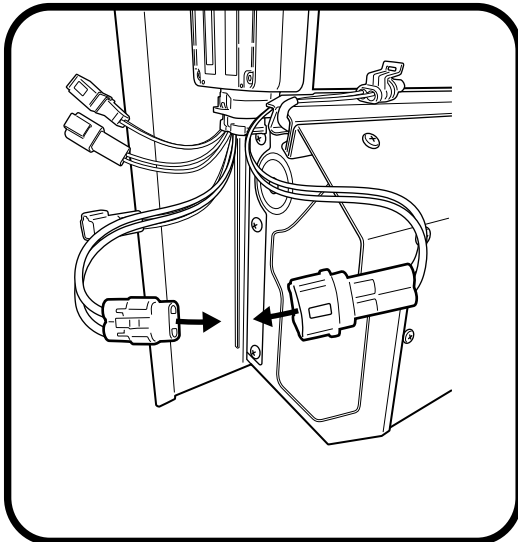
NOTE: LHS side rail to be assembled first.



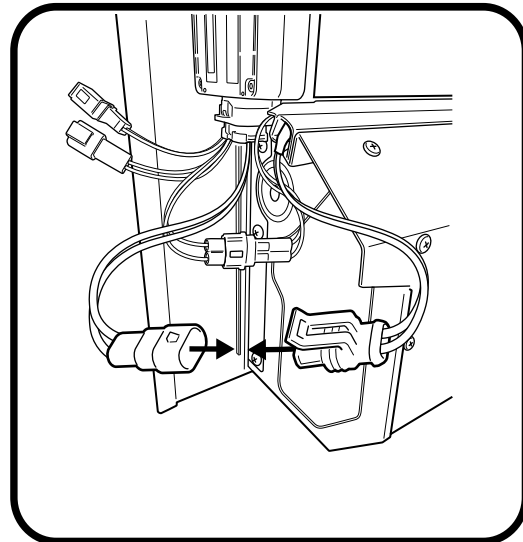
Fasten the side rail using the retained screws.



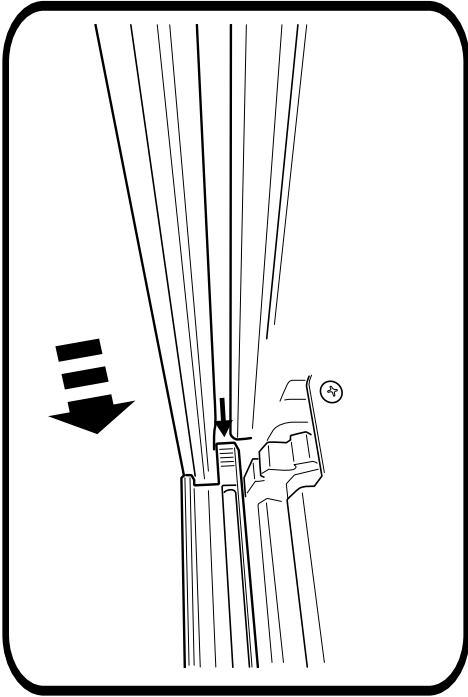
Connect motor connector to receiver



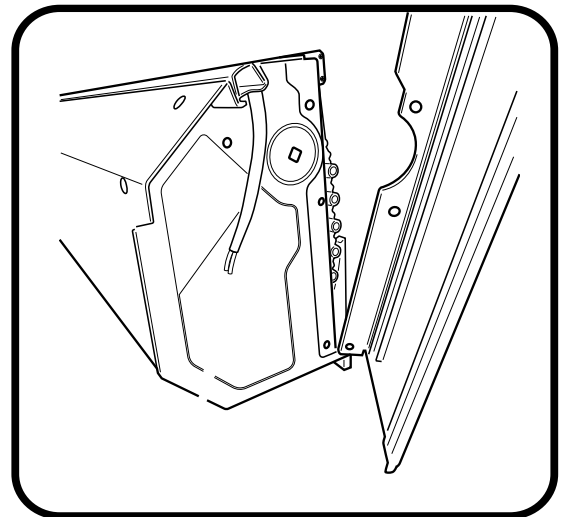
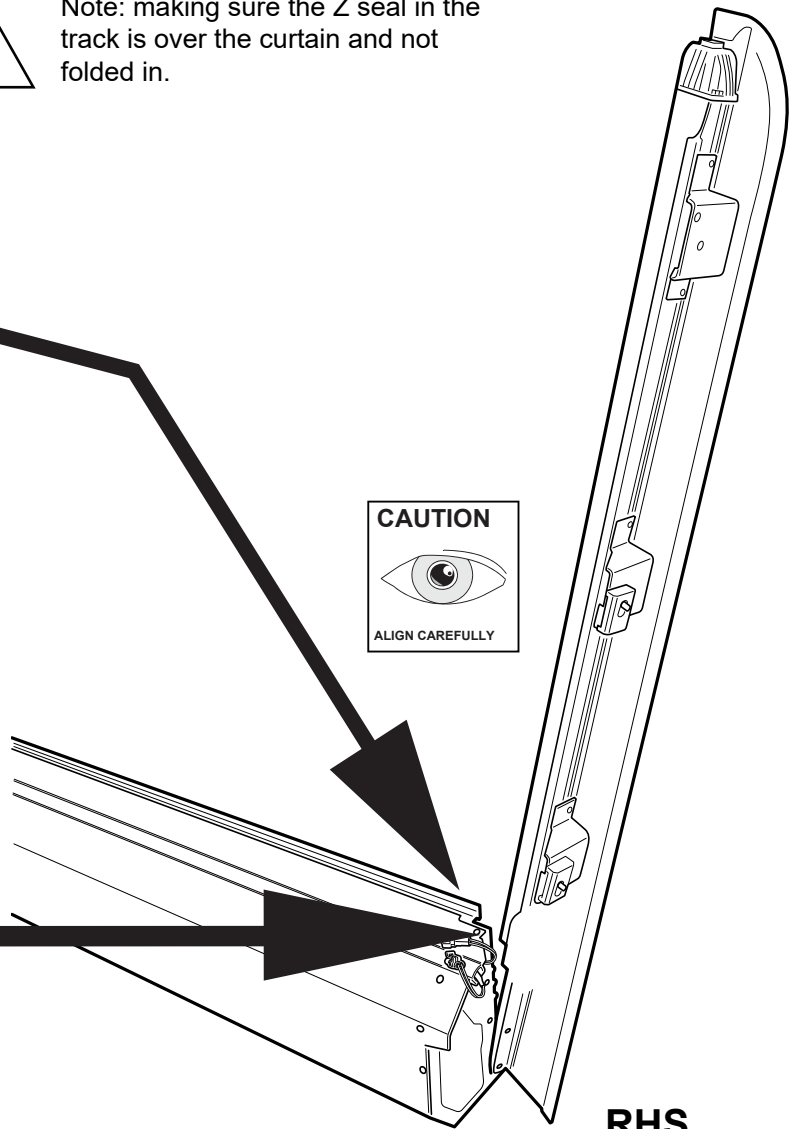
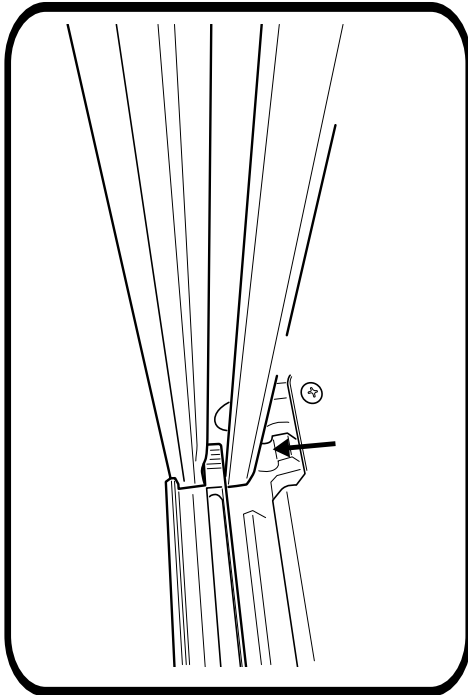
Connect LED Loom to receiver



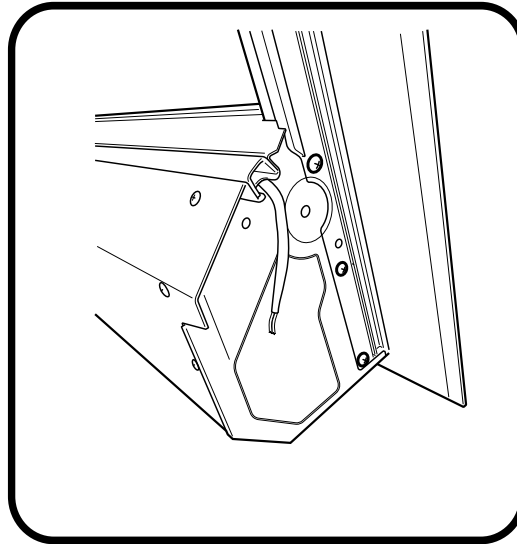
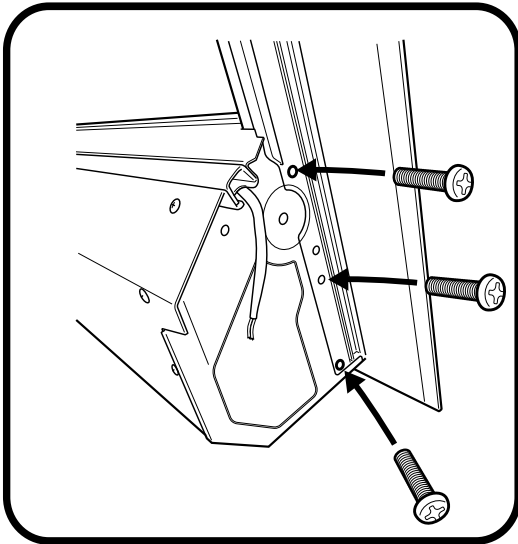
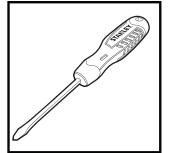
Align side rail to side of canister, guide the track to go in between the curtain end robber stop.



Note: making sure the Z seal in the track is over the curtain and not folded in.

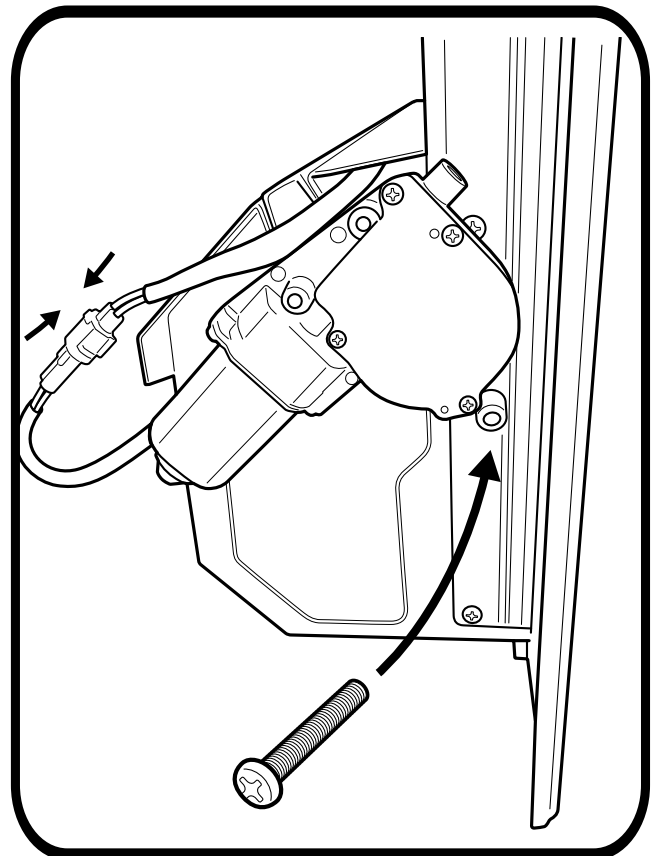
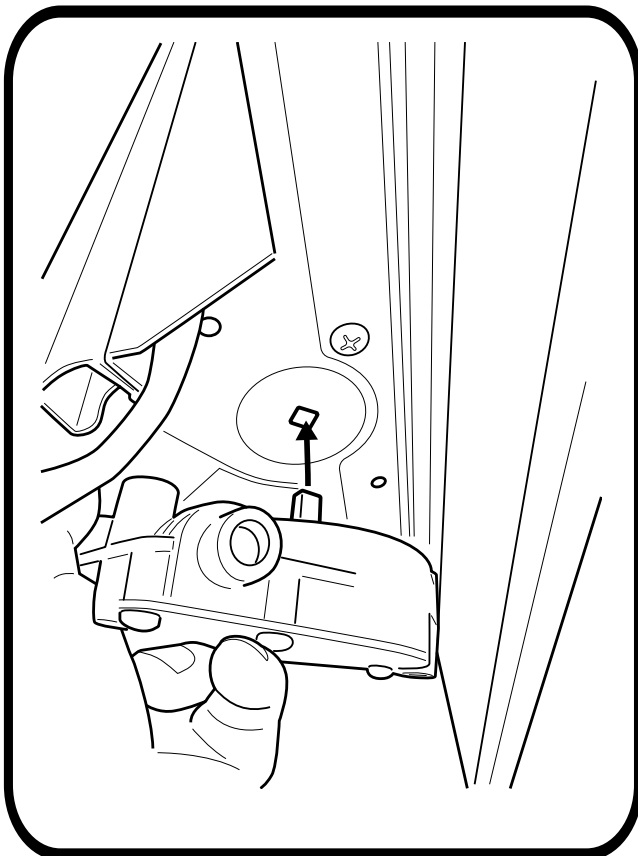
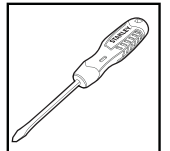


Fasten the side rail using the retained screws only to the locations indicated.

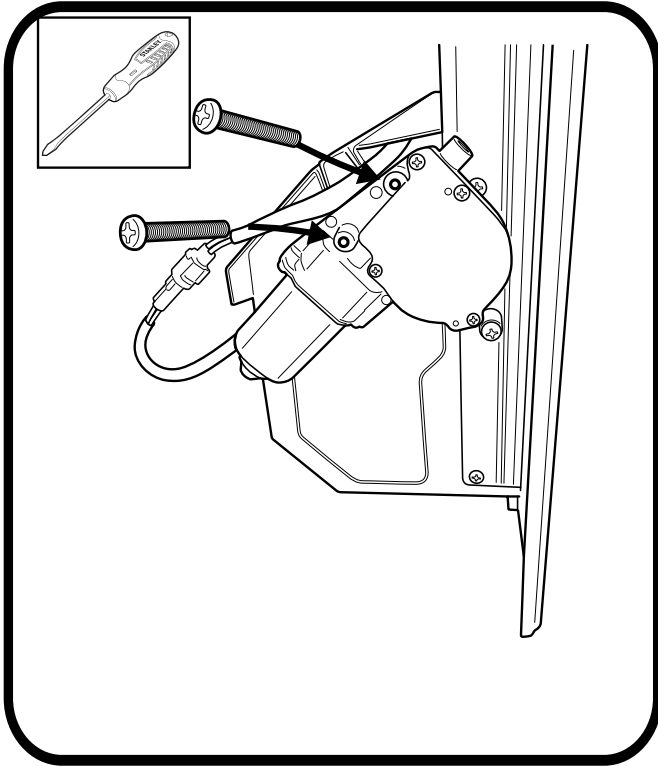


Align & insert motor to the axle.

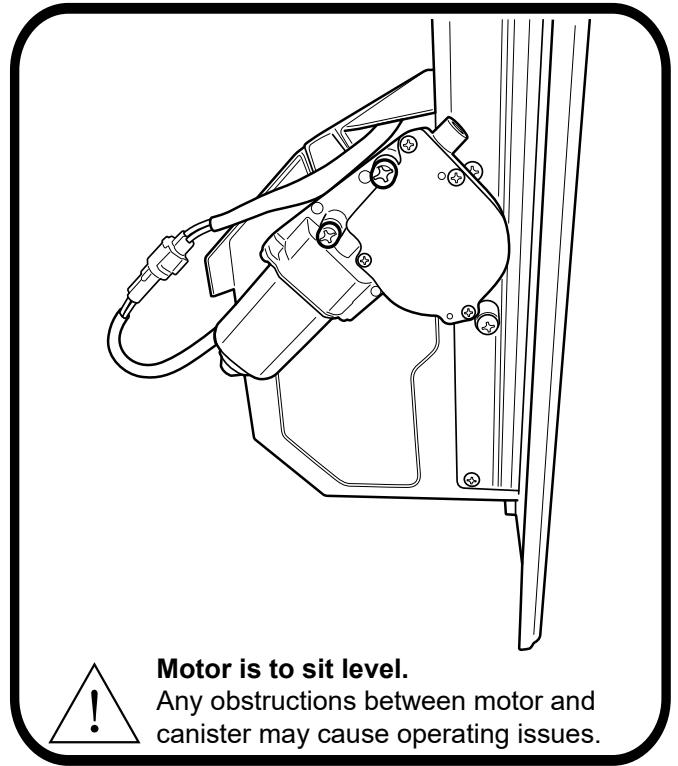
Pull Curtain out if required to align motor with thread and loosely fasten with retained screw.



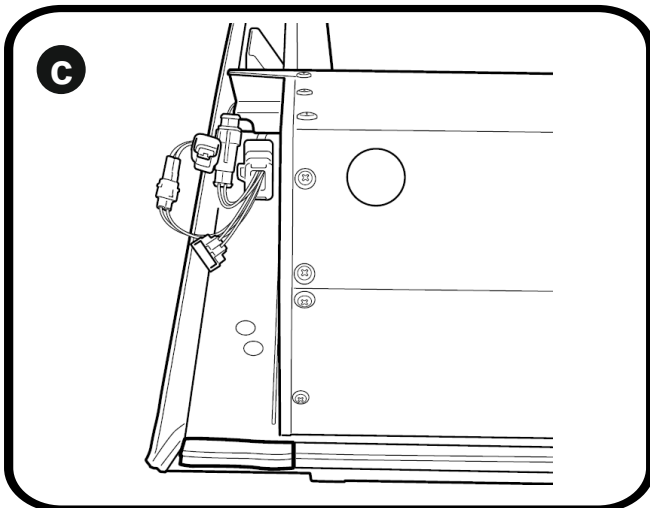
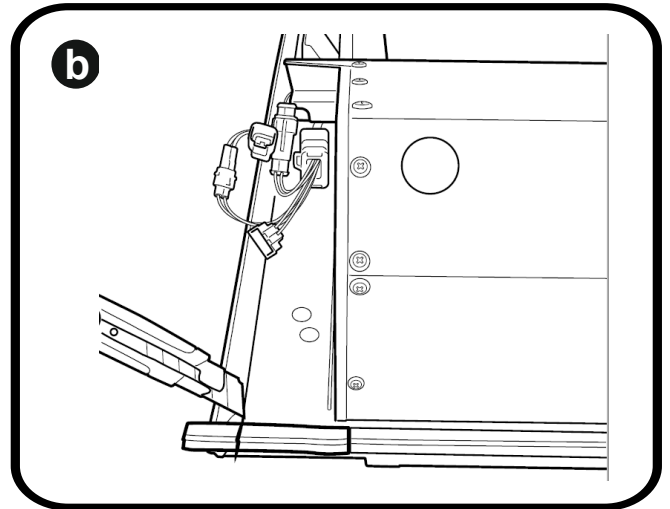
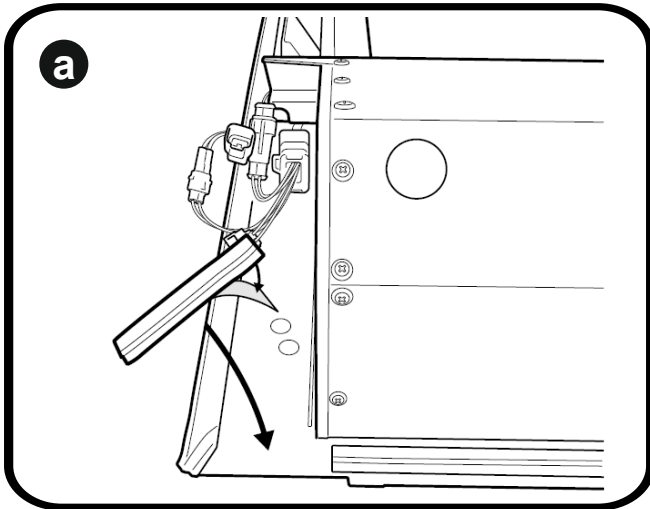
Loosely fasten with retained screws.



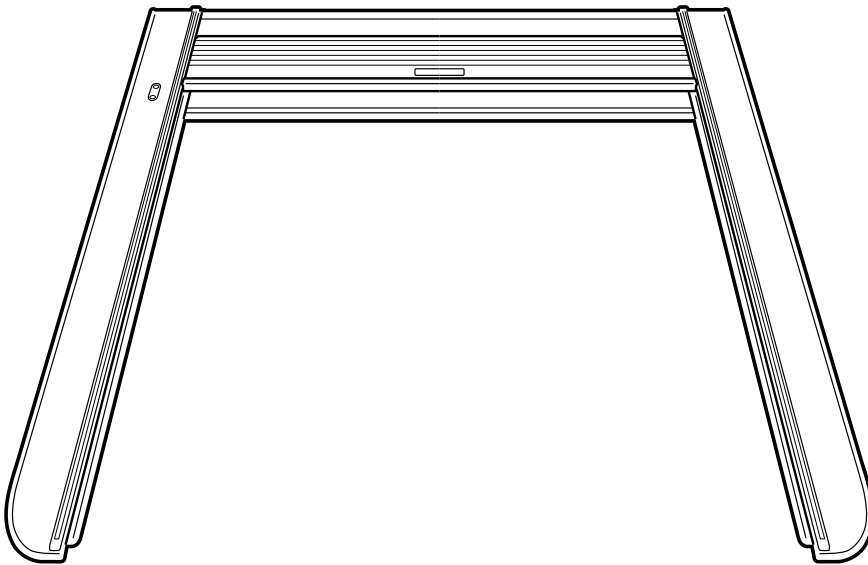
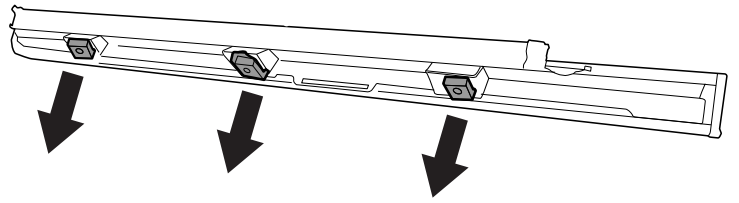
Fasten all 3 screws tight.



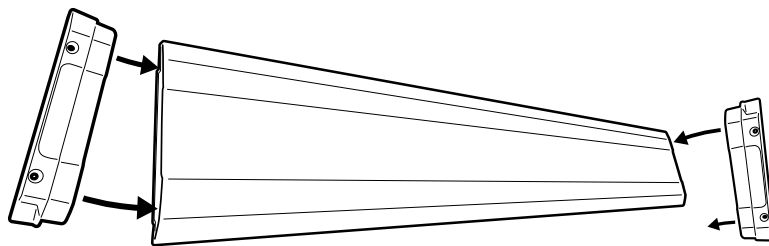
Apply D-sponge foam tape to side rail as indicated. NOTE: Join foam firmly to the pre-fitted foam of the canister. Carefully trim excess off & discard as indicated. Repeat on the other side.



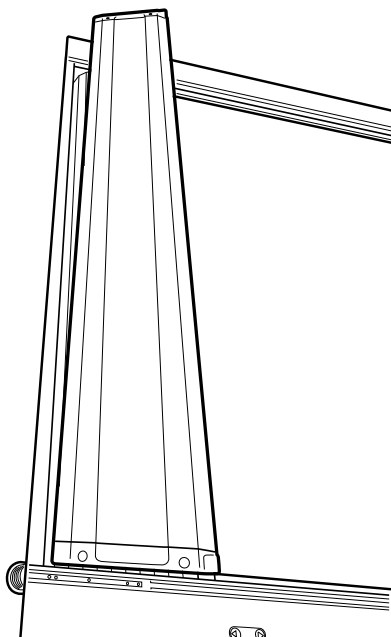
Carefully bring down the assembled unit .
Then unfasten the clamps from the left & right side rails - retain clamps & hardware.



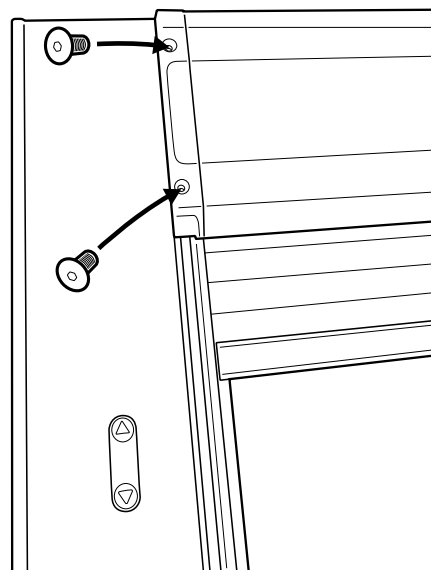
Insert side end caps to the top cover.



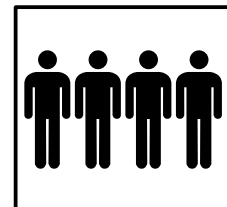
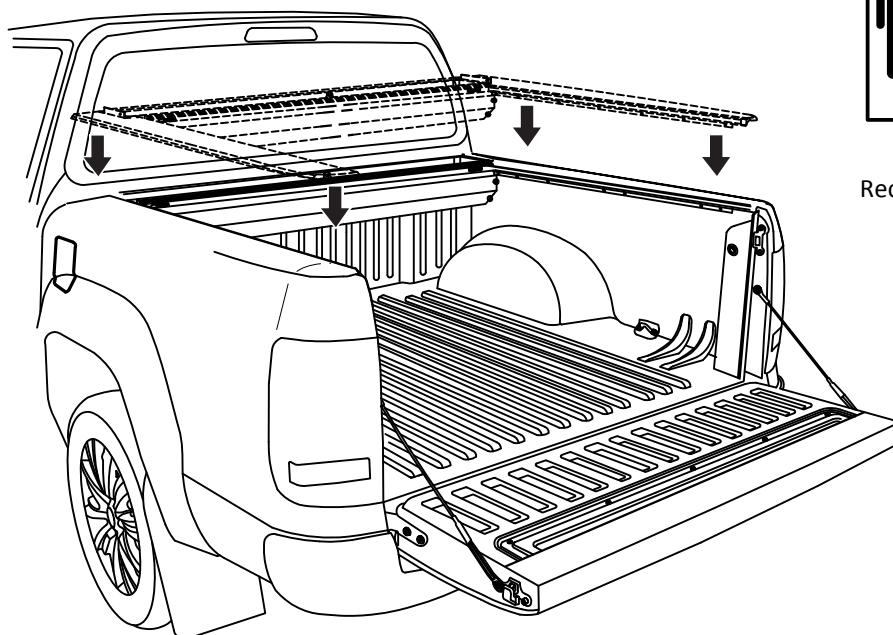
Place & Align top cover over the
canister and side rails.



Using countersunk screws provided, line up end cap
holes to the threads on the side rail.
Fasten to 3nm torque. Repeat to the other side.

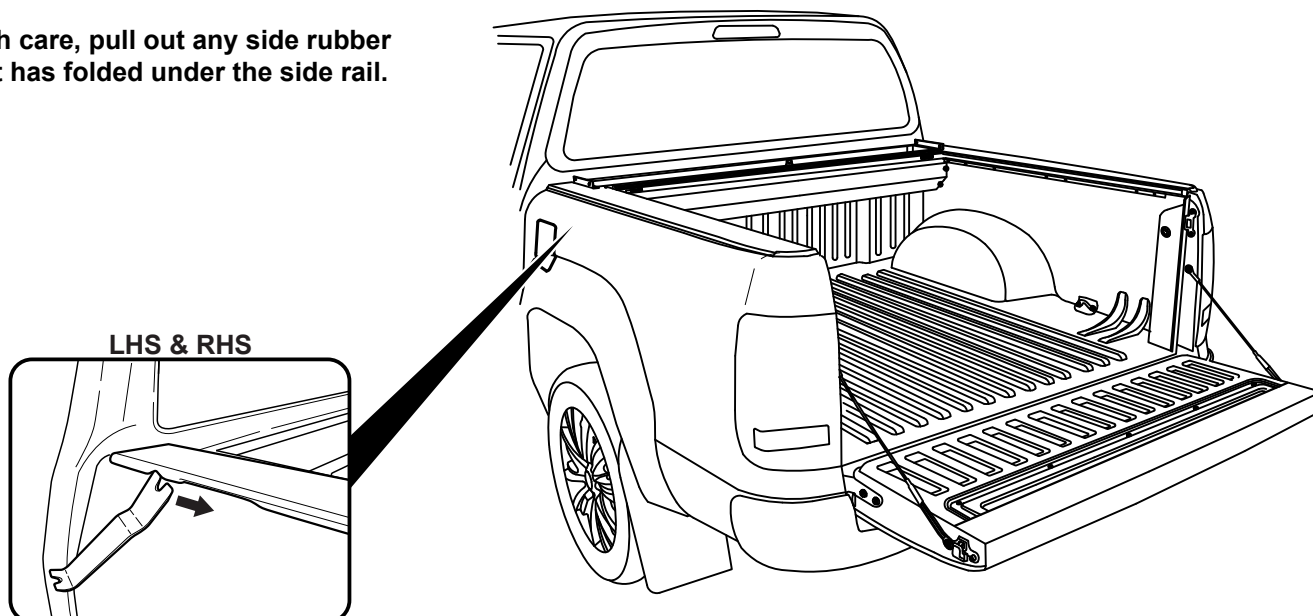


Place the Roll-R-Cover unit on to Ute bed.



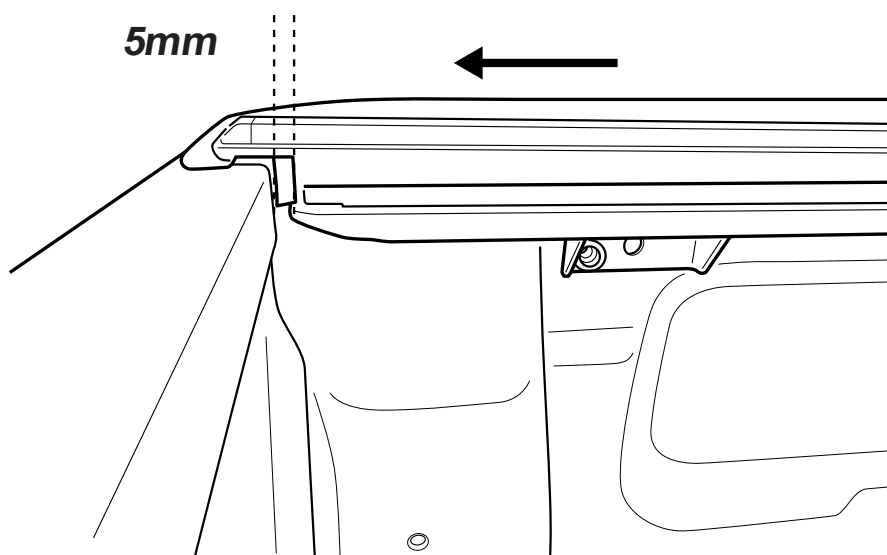
4 People
Recommended for lift

With care, pull out any side rubber that has folded under the side rail.



With the tailgate up (Closed position),
Pull left & right hand side rails
towards the tailgate, stopping short by
5mm between tailgate and side-rail
end-cap.

5mm

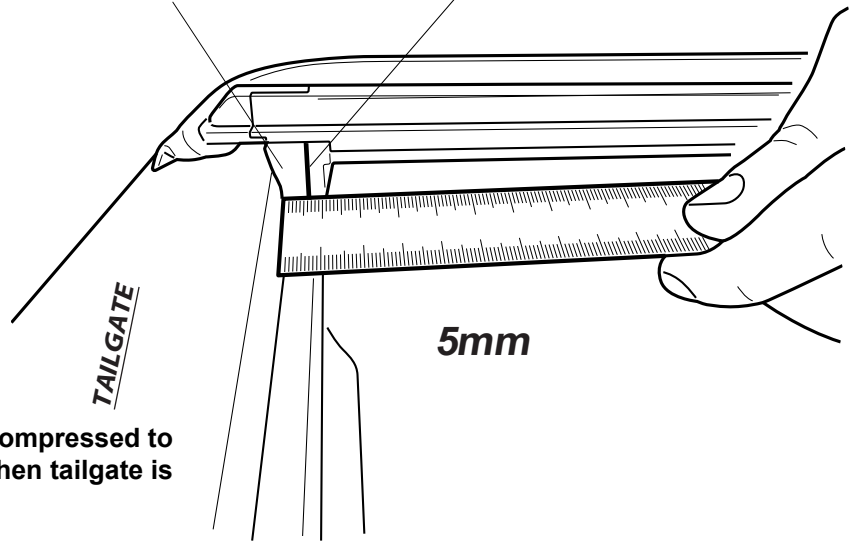


Foam compressed to
5mm when tailgate is
closed.

Gap between tailgate and side-rail end cap to be 5mm.

Foam seal

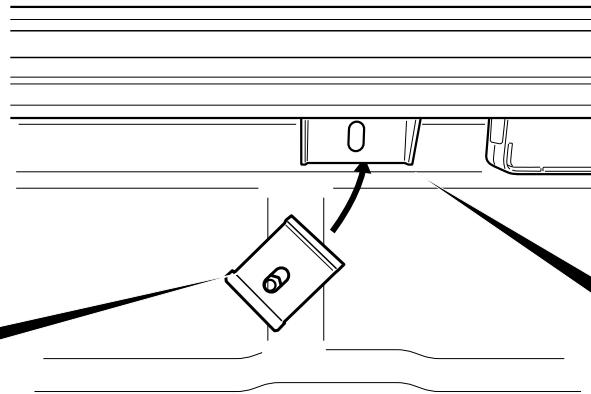
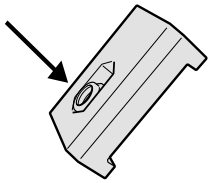
Side rail end cap



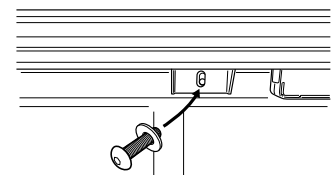
Foam compressed to 5mm when tailgate is closed.

Position clamp behind the inner top lip of the bed rail and the side rail mounting brackets. Repeat to all 6 positions.

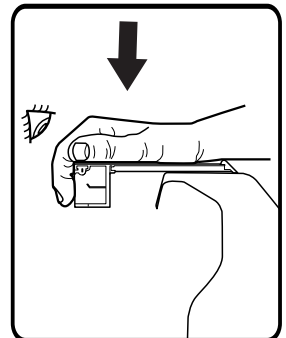
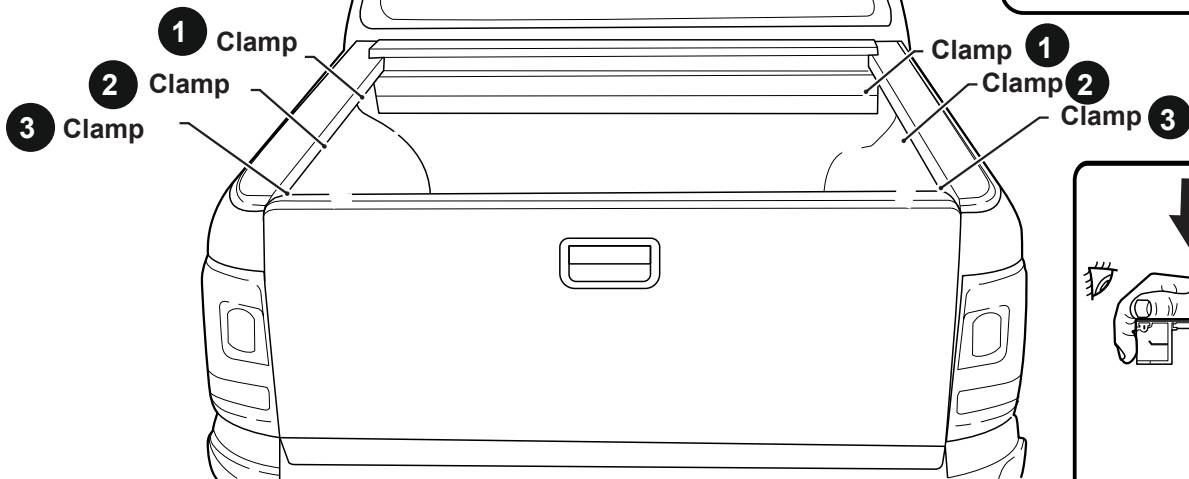
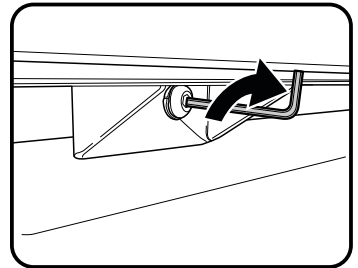
Ensure the M8 nyloc nut is in indicated slot of the clamp



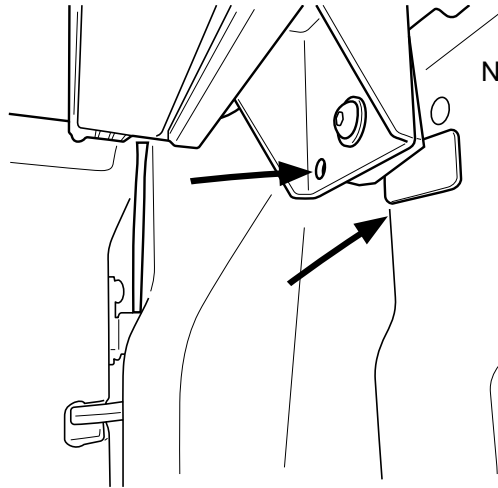
Fasten clamp loosely into position using retained M8 washer and bolt.



Apply pressure then tighten clamps in the order indicated.



Apply flat plate behind adjusting bolt hole to the ute bed panel or to the liner if the Ute is equipped with a tub liner.

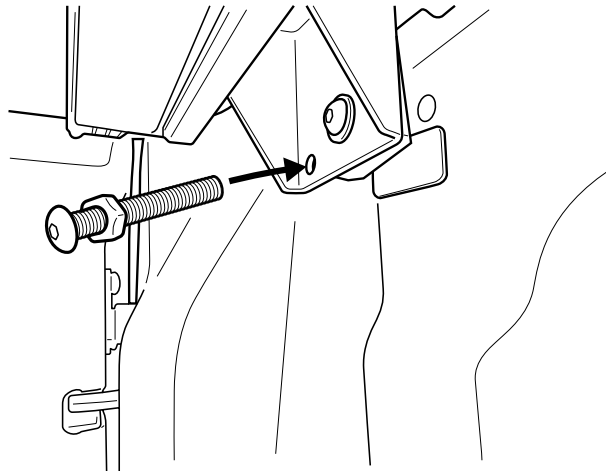


Note: Rear Clamp bracket.

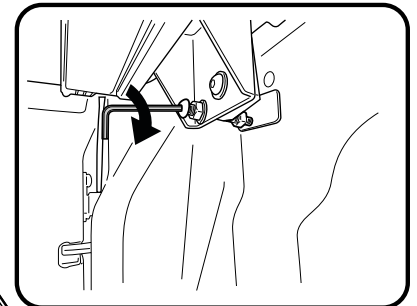
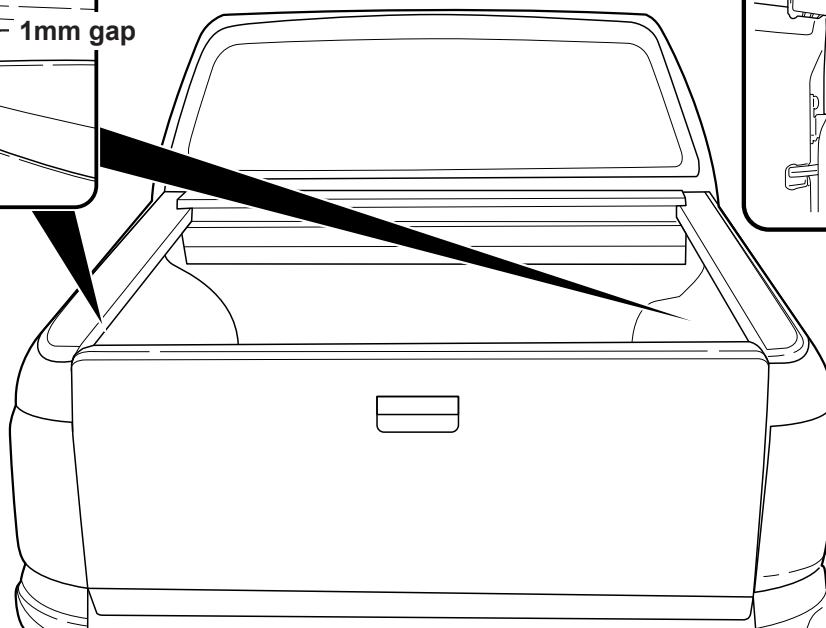
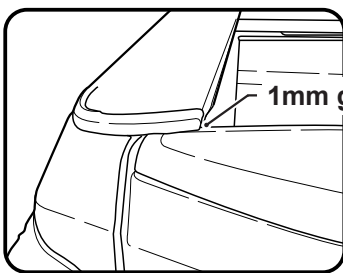


Note: Clean surface before applying flat plate.

Feed M8 bolt through clamp bracket's pre-installed nutsurt as indicated (keeping M8 nut on the bolt thread).

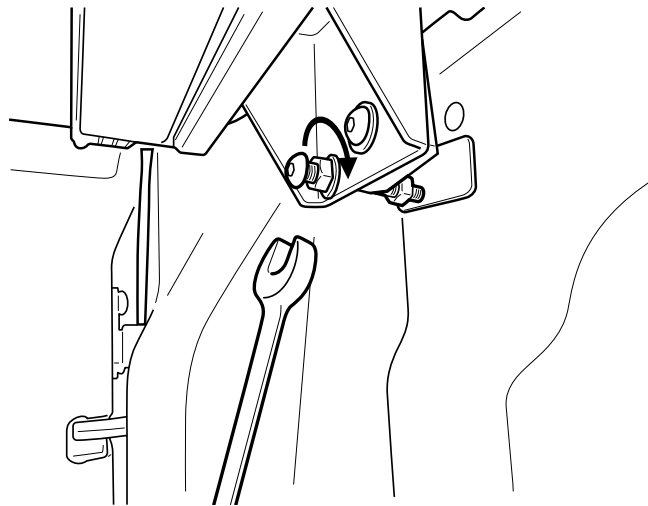


Side rail rubber must have a 1mm gap from the top of the tailgate in the closed position.



Drive the adjustment bolt in to lift the rear of the side rail till it clears the tailgate.

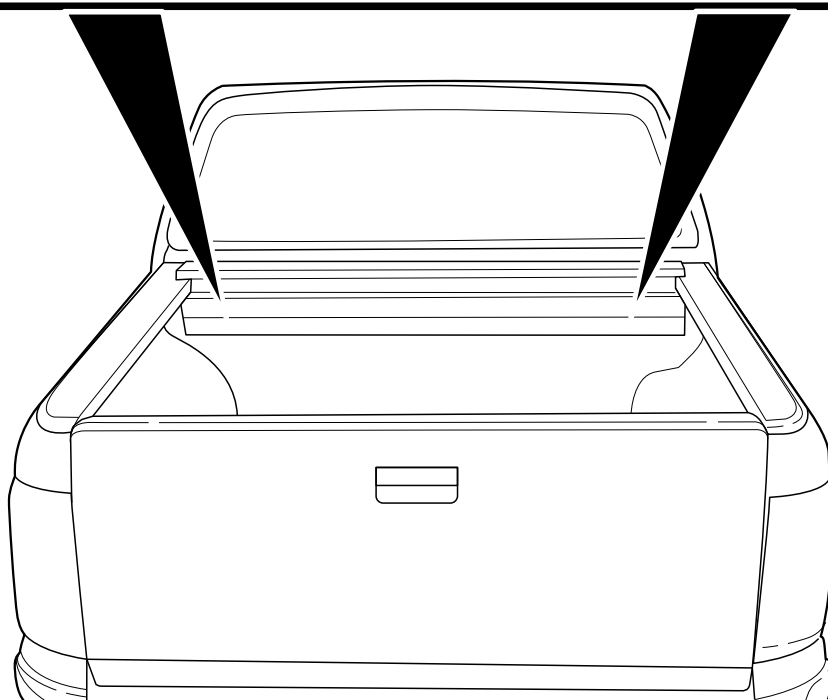
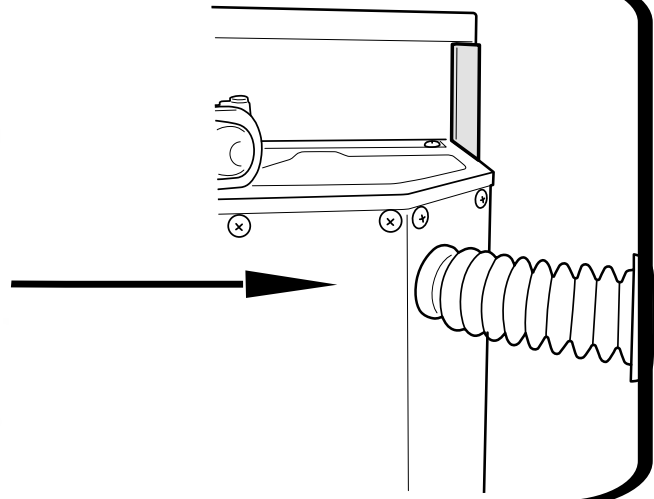
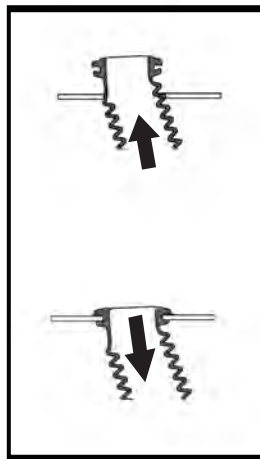
Fasten the M8 nut against clamp bracket.



Install front drain pipes through pre-drilled holes of the canister. (RHS/LHS)



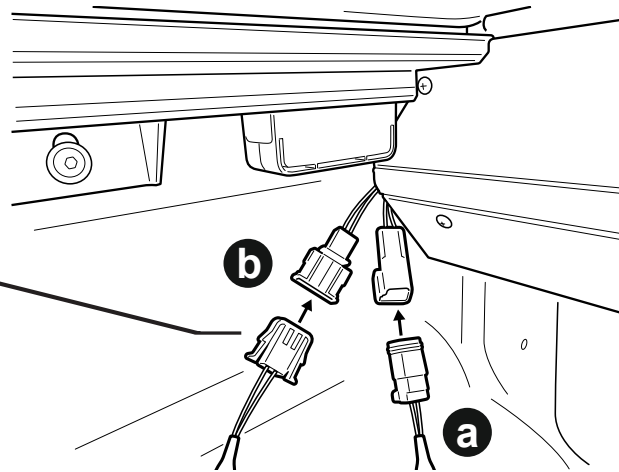
Note: With care push tube in.
Taking care pull the tube back
so it seals correctly against
the front panel of the tub.



- a. Connect Battery loom S2.75 to Receiver loom.
- b. **Carefully** connect CI-Loom-short to Receiver loom.



Align connectors carefully to avoid pushing pins out.



Operating instructions:

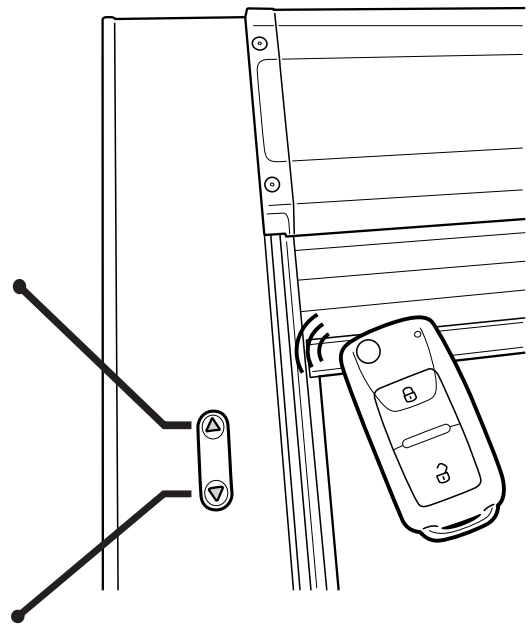
Press unlock on vehicle key fob to activate controller.

When vehicle is unlocked the side rail sensor buttons will be active to control.

When vehicle is locked the side rail sensor buttons will be inactive.

Touch & let go to open, touch & let go again to pause.

Touch & let go to close, touch & let go again to pause.



NOTE: 1. To wear in the Roll R Cover please fully open & close the cover approximately 15 times after install is complete.

2. Set your vehicle locking system to unlock all doors with one press of the factory remote unlock button. This setting can be found in your vehicle settings.