



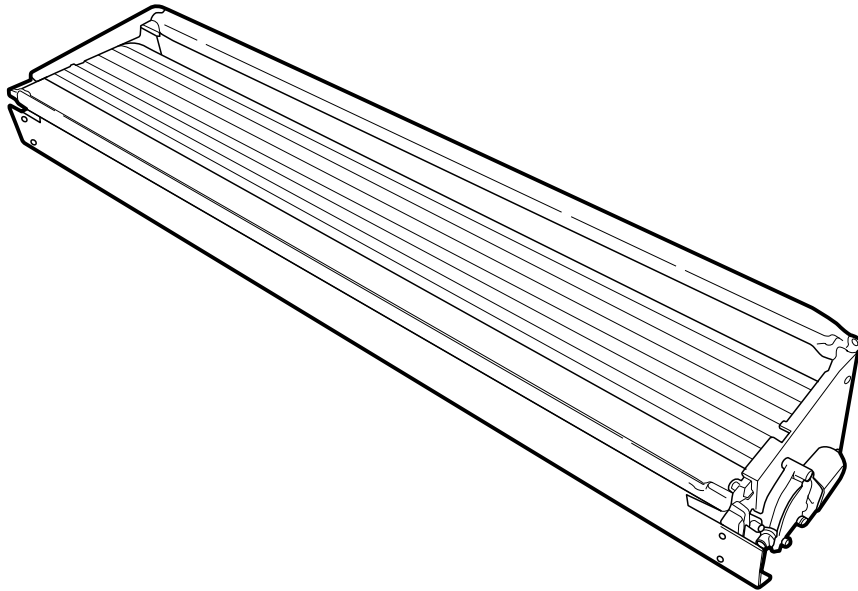
[WWW.HSPUTELIDS.COM](http://WWW.HSPUTELIDS.COM)

Part No: C4R

Fitting Time: 180 minutes

**ROLL. R. COVER**

To suit Holden RG Colorado Dual Cab 2016+



Roll-R-Cover  

---

Fitting Instructions

## – General Notes

- Read through the fitting instructions before installation of accessory.
- Always install the Roll R Cover Wiring Kit following the workshop manual and fitting instructions provided. Failure to do so may cause damage to the vehicle or the accessory.
- Ensure all recyclable components and packaging are discarded and recycled following local recycling regulations.
- It is always recommended that the Roll R Cover Wiring Kit is fitted by a qualified automotive technician.
- Safely store and protect any removed vehicle components.

## – Safety Notes

- Check that all work practices comply with safety standards.
- Please wear appropriate clothing and use safety equipment.



## – Fitting Time



180 minutes

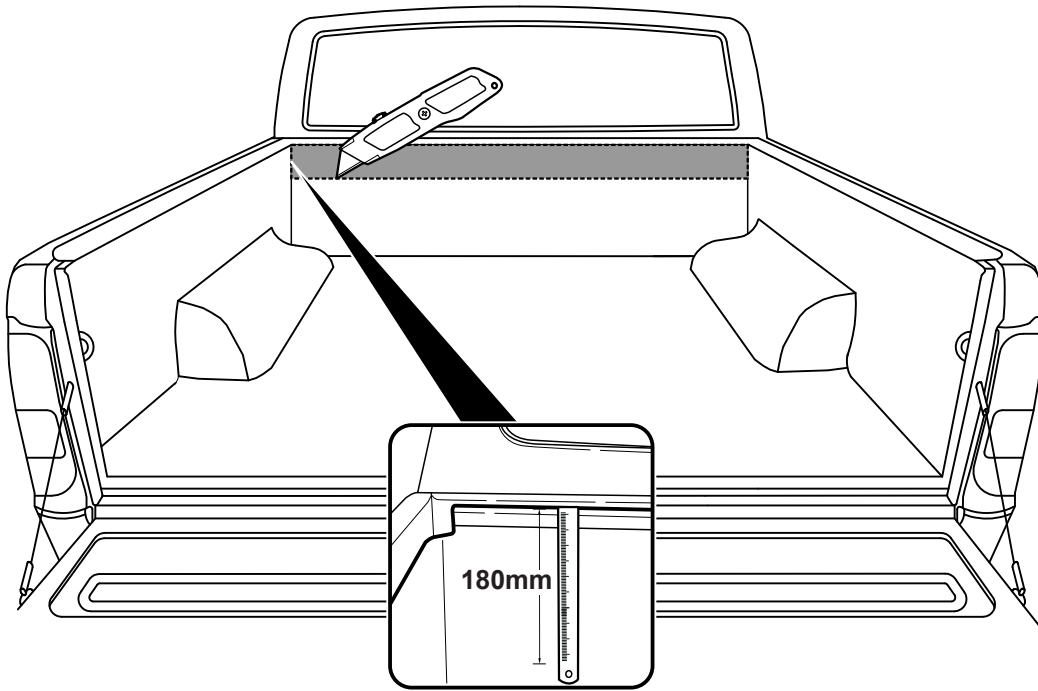
## – Parts Supplied

<b>C4R</b>	<b>DUAL CAB HOLDEN COLORADO RG - ROLL R COVER</b>		
<b>PART DESCRIPTION</b>	<b>PART NUMBER</b>	<b>QUANTITY/LENGTH</b>	<b>CHECK</b>
C4R FITTING INSTRUCTIONS	362*	1	
LUBRICANT PUMP SPRAY	47*	1	
REMOTE	215*	2	
PRIMER STICK	44*	1	
CABLE TIE 4.8X300MM	217*	10	
ROLL R LOOM	216*	1	
C4R CANISTER AND CURTAIN	267*	1	
C4R RAIL RIGHTHAND	293*	1	
C4R RAIL LEFTHAND	294*	1	
BLACK NITRILE FOAM 6MMx25MMx1.6M	391	2	
HOSE 600MM	11*	4	
COMPLETE CANISTER COVER	398	1	
OPERATION LEAFLET	66	1	
MAINTENANCE LEAFLET	67	1	
ADJUSTMENT PLATES	31	2	
BLACK PUTTY	3*	8	

**The following steps are for vehicles with bed liners.  
If there are no bed liners installed move to Step 5**

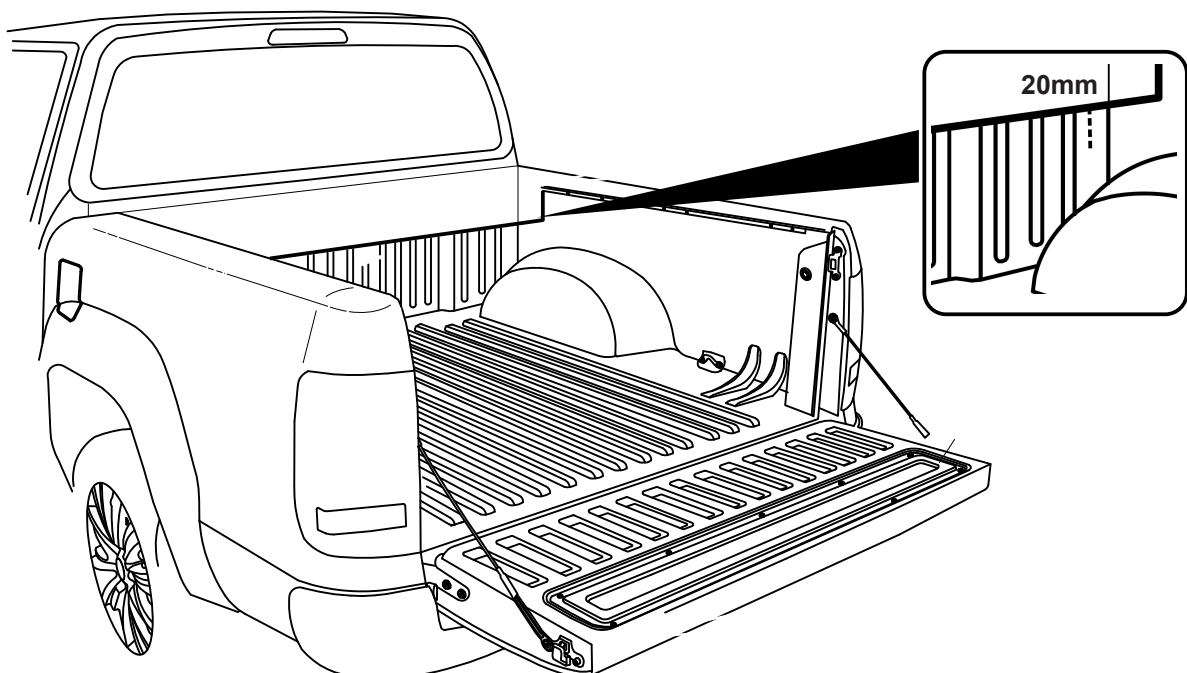
**– Step 1**

Trim front of bed liner by 180mm from the top of the ute bed as shown.



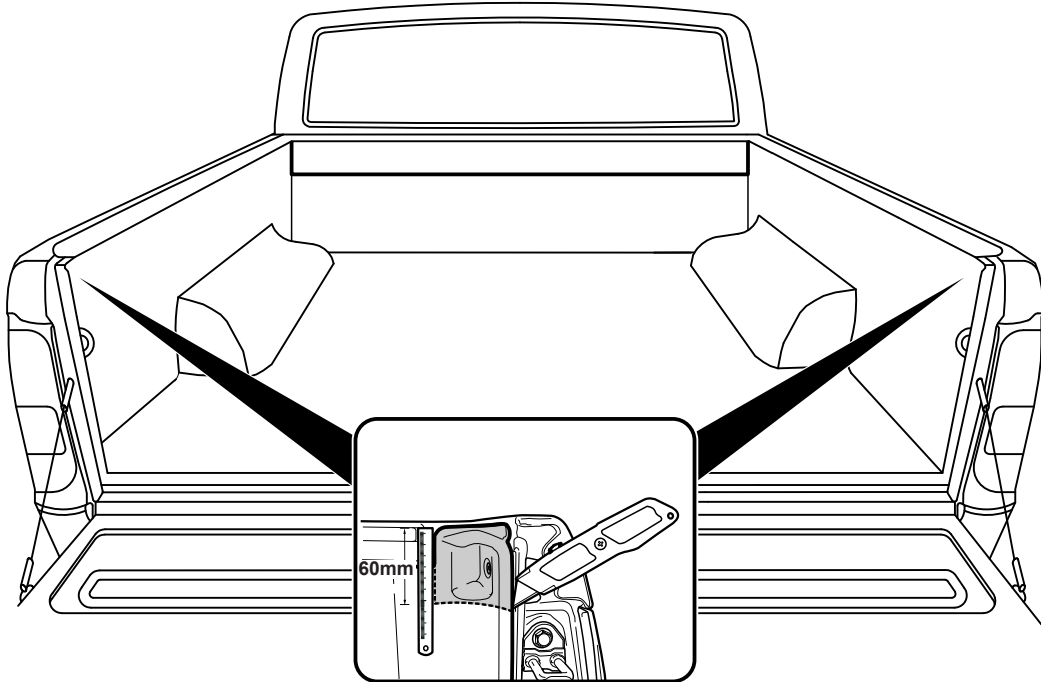
**– Step 2**

Cut a 20mm split for bed liner to flex.



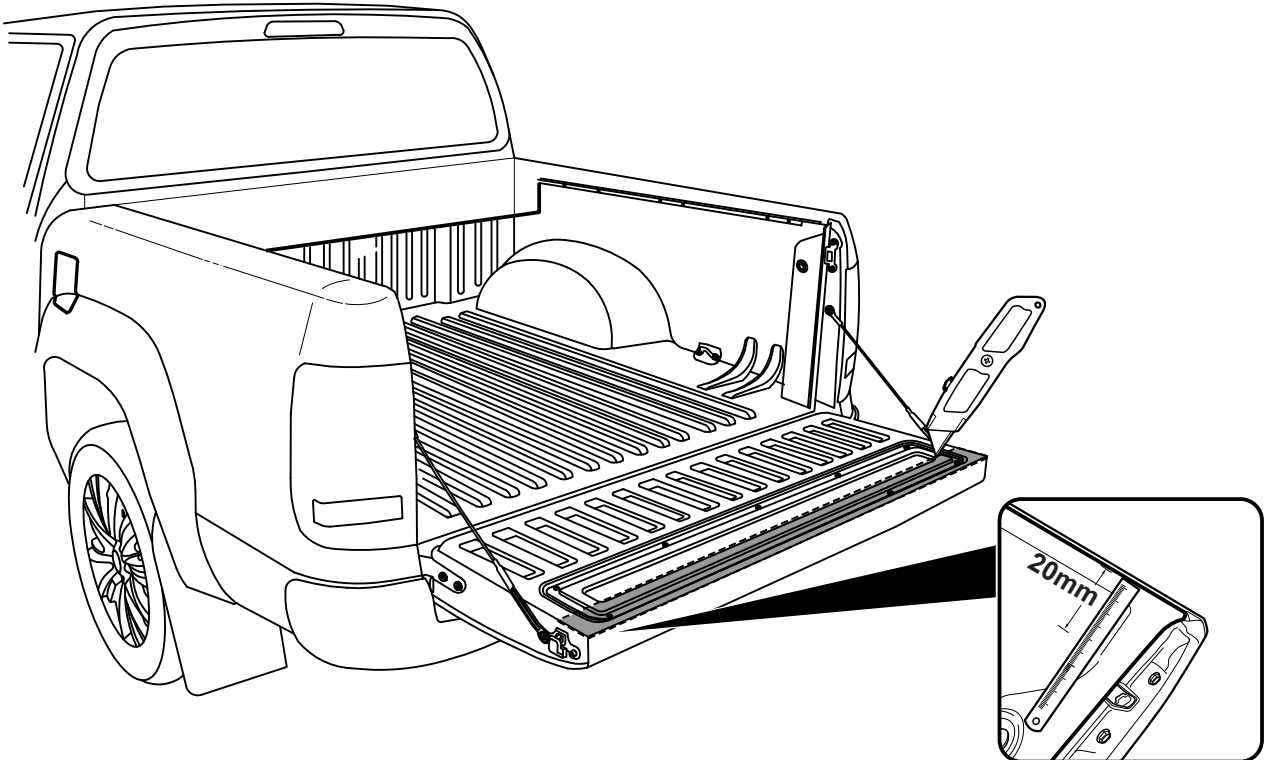
– Step 3

Measure 60mm from top of tub and trim liner.



– Step 4

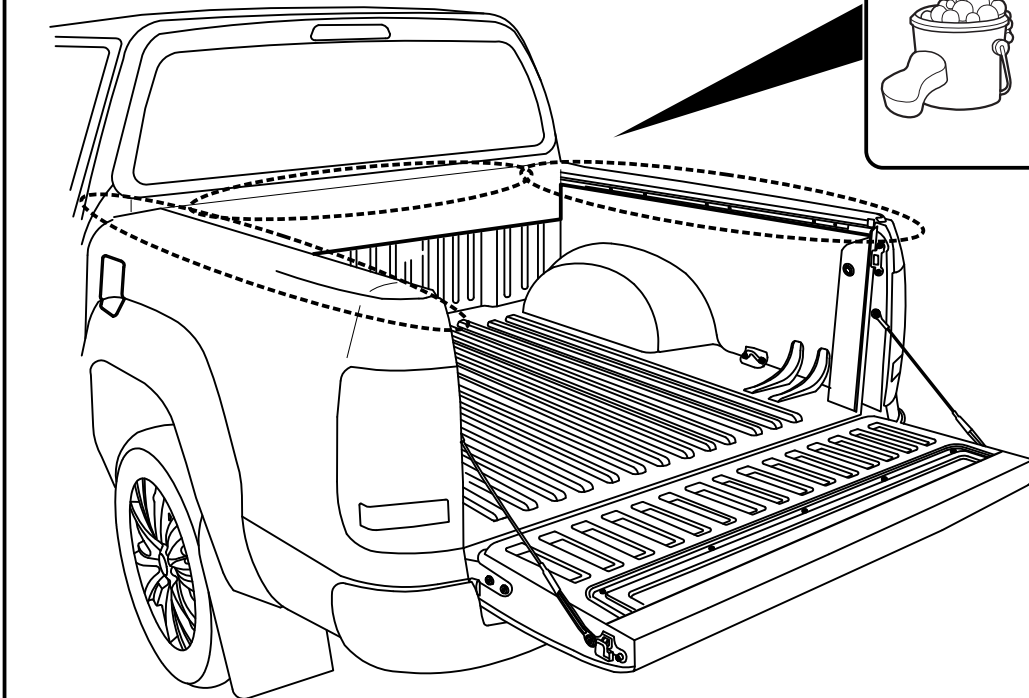
Measure 20mm down from top of tailgate and trim tailgate liner.





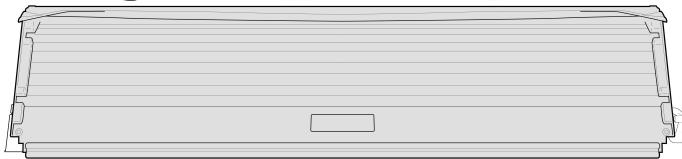
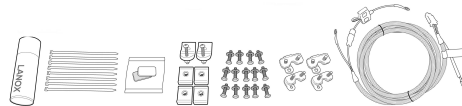
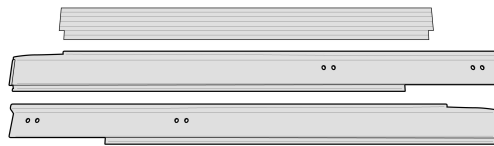
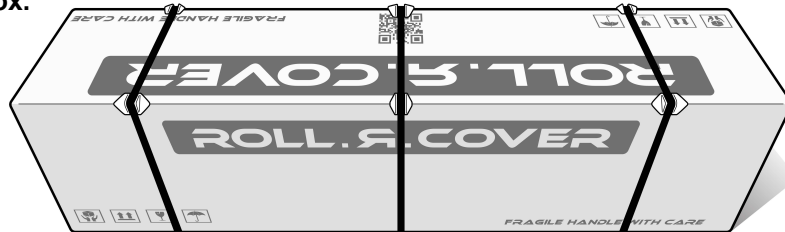
— Step 5 —

Roll-R-Cover preparation steps



— Step 6 —

Carefully unpack the box.



– Step 7

**Wiring Harness steps**

**1** Feed through the cavity

**3**

**2**

216

Run the wiring from the front corner cavity to the battery over the chassis rail. Making sure to keep away from hot obstructions and cable tie every 400mm.

– Step 8

Remove M8 Bolt & M8 Spring Washer

293/294 LHS & RHS

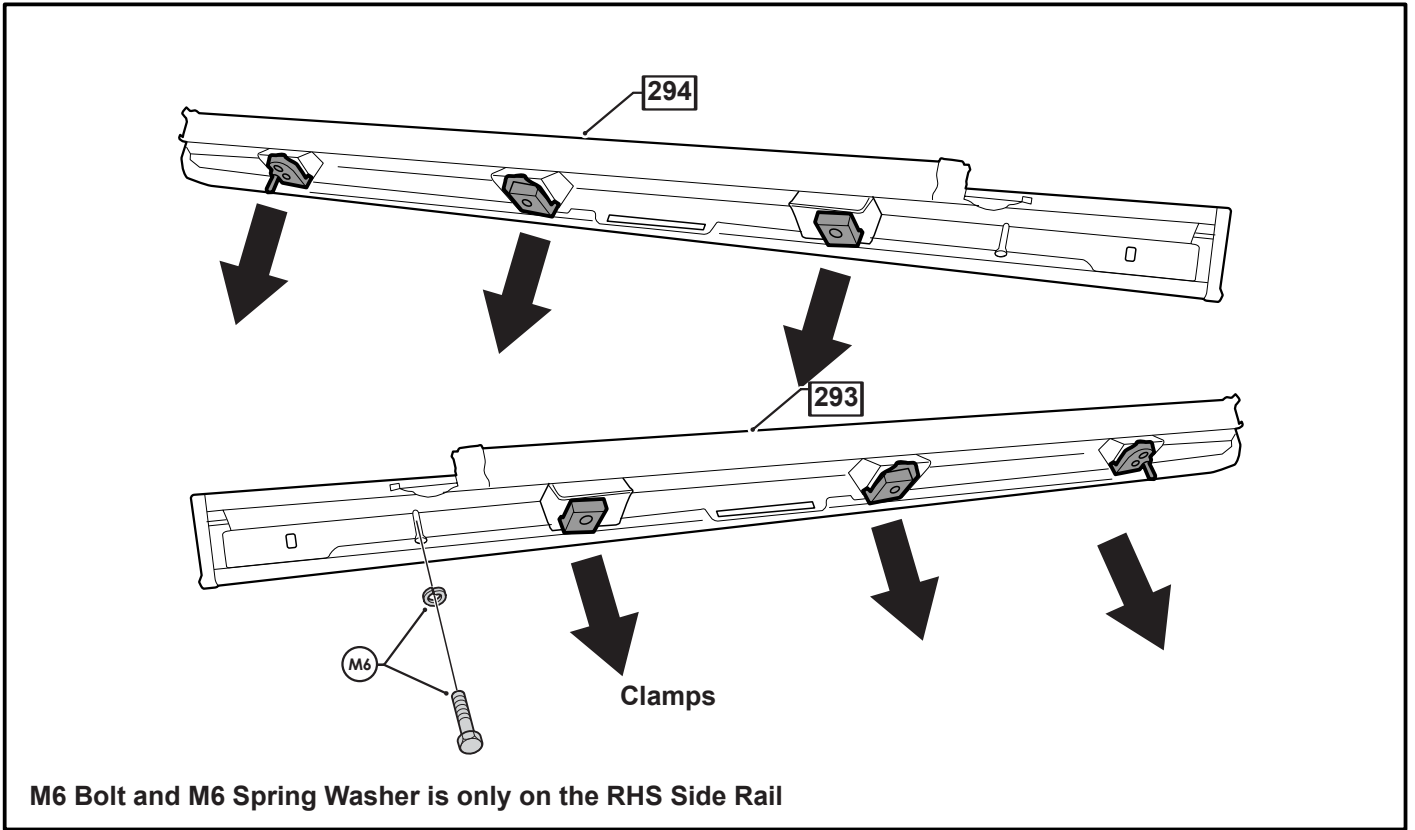
267

M8

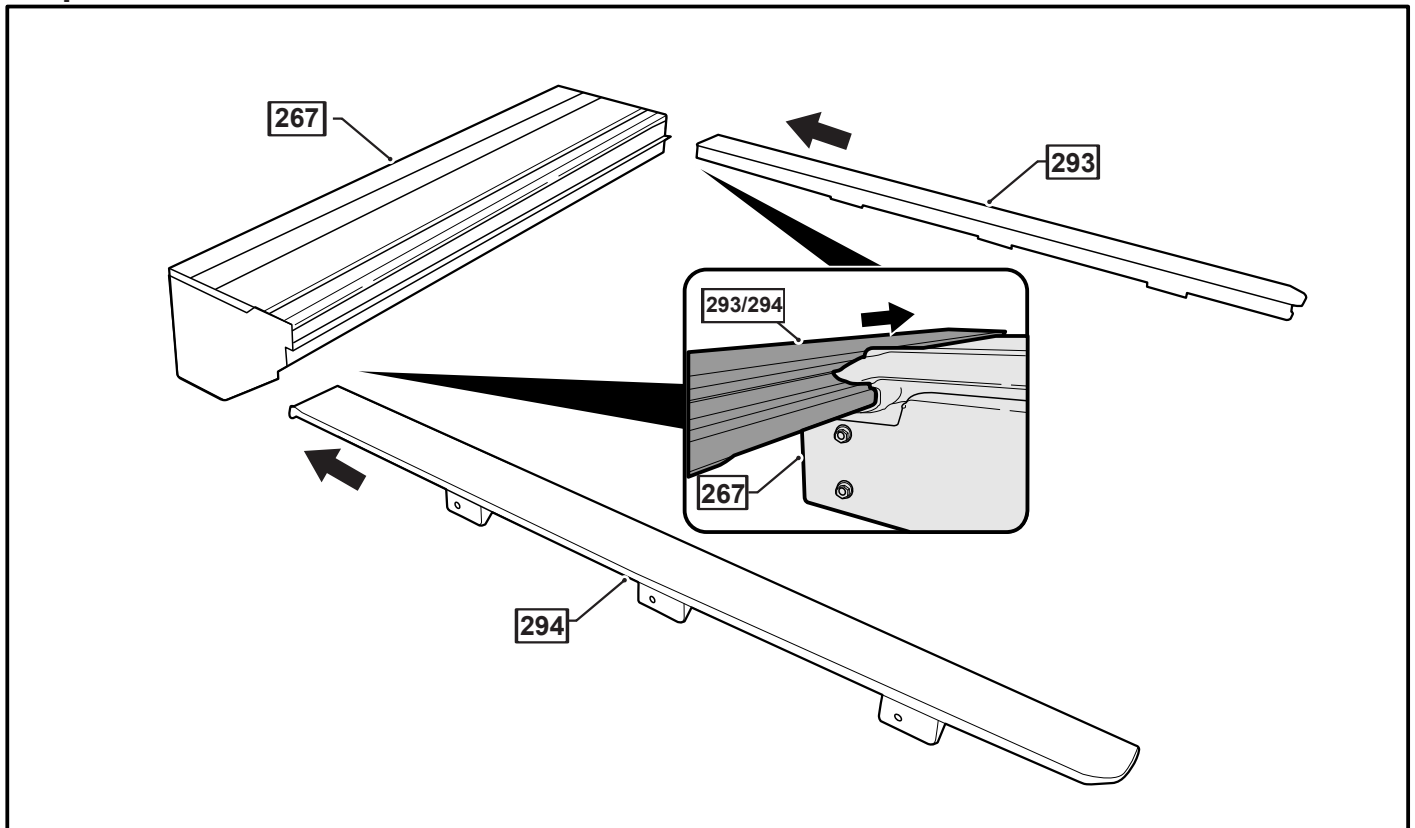
M8

**Important** Ensure the black tar is not removed with the film.

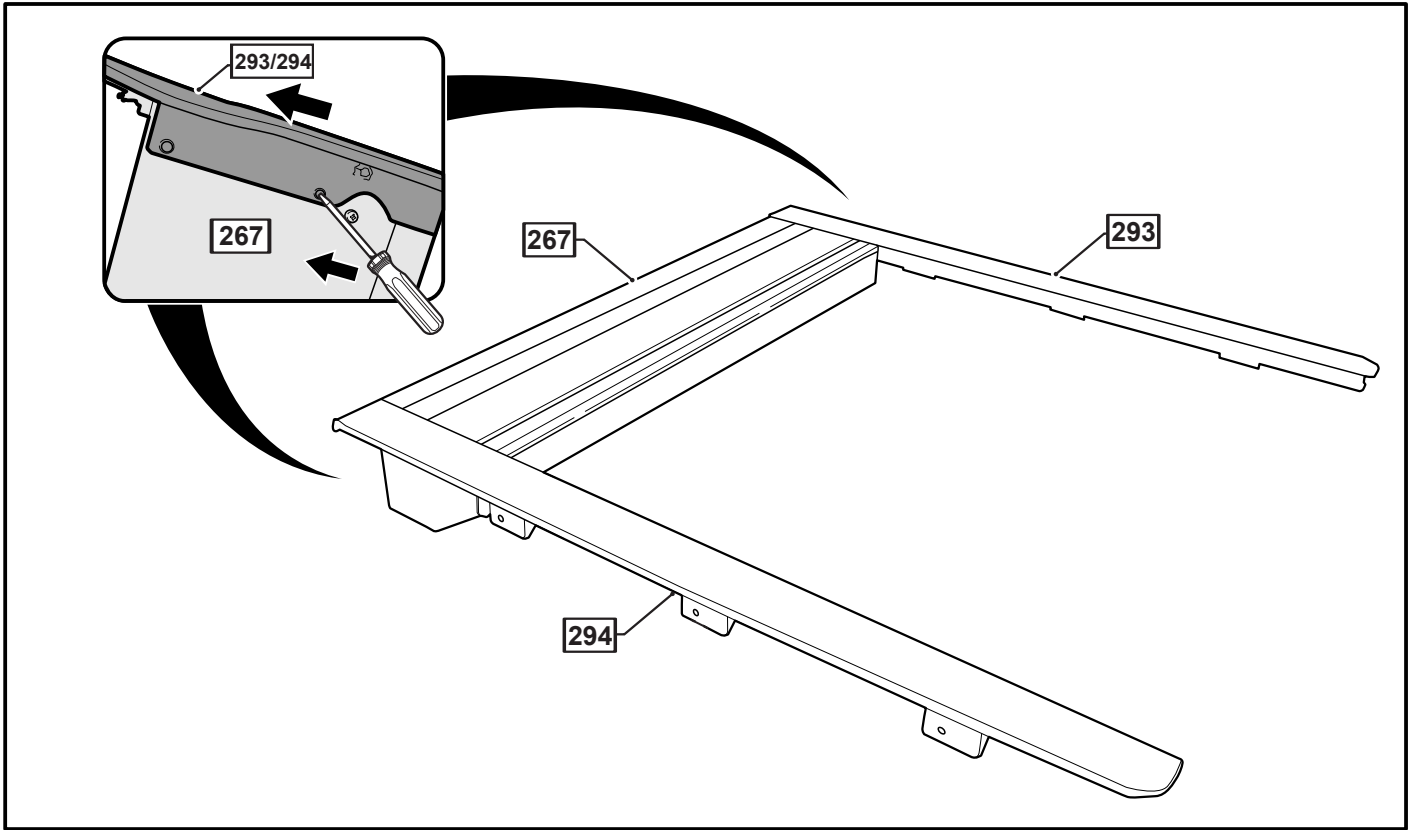
– Step 9



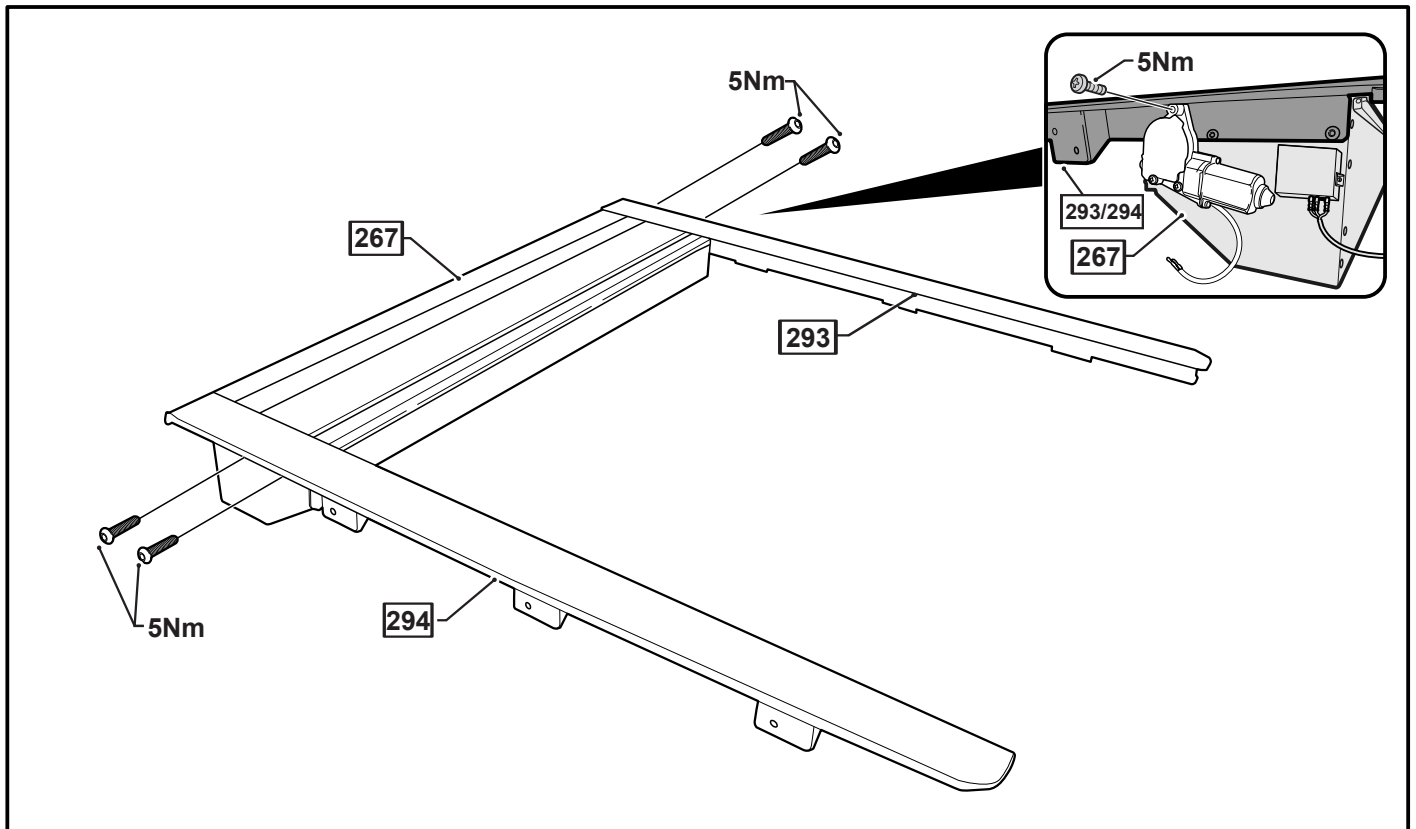
– Step 10



— Step 11 —

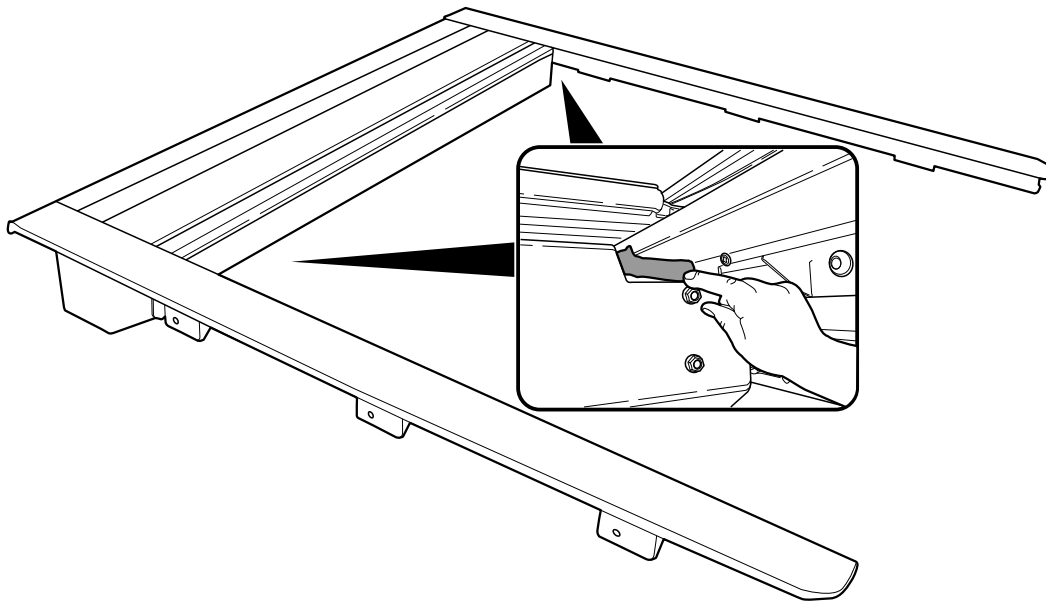


— Step 12 —



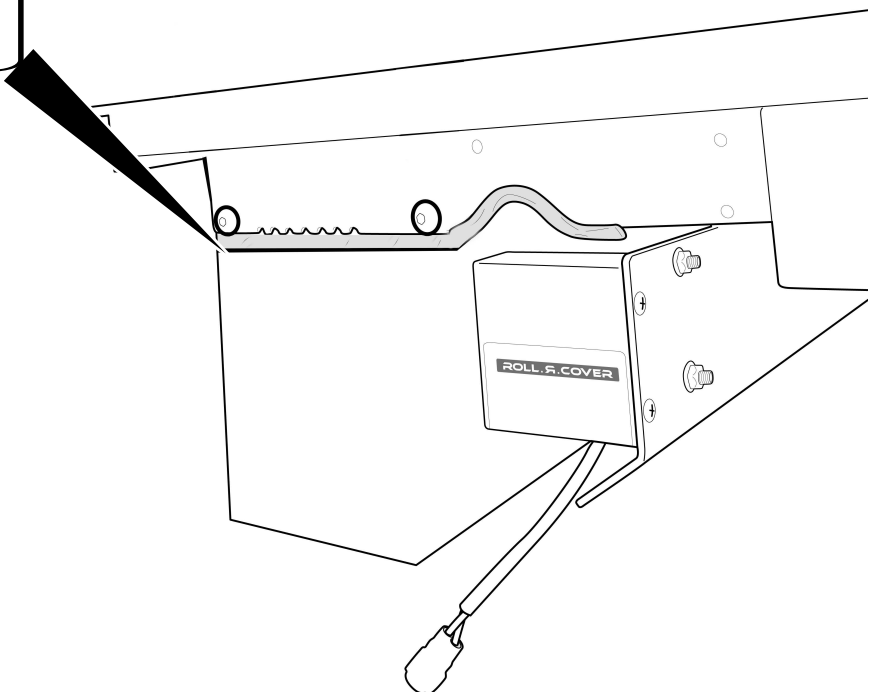
– Step 13

Apply tar sealant to the gap under water channel.

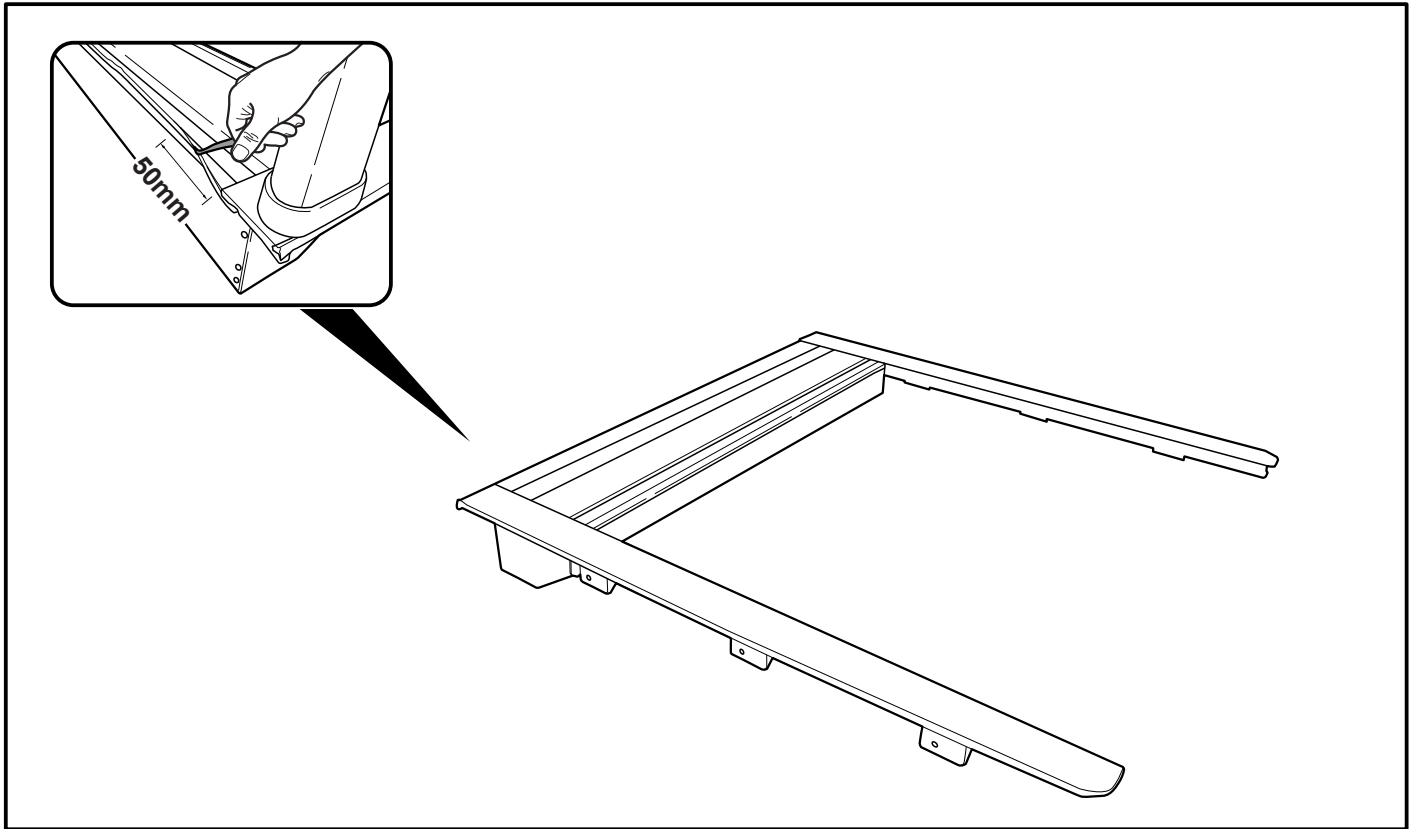


– Step 14

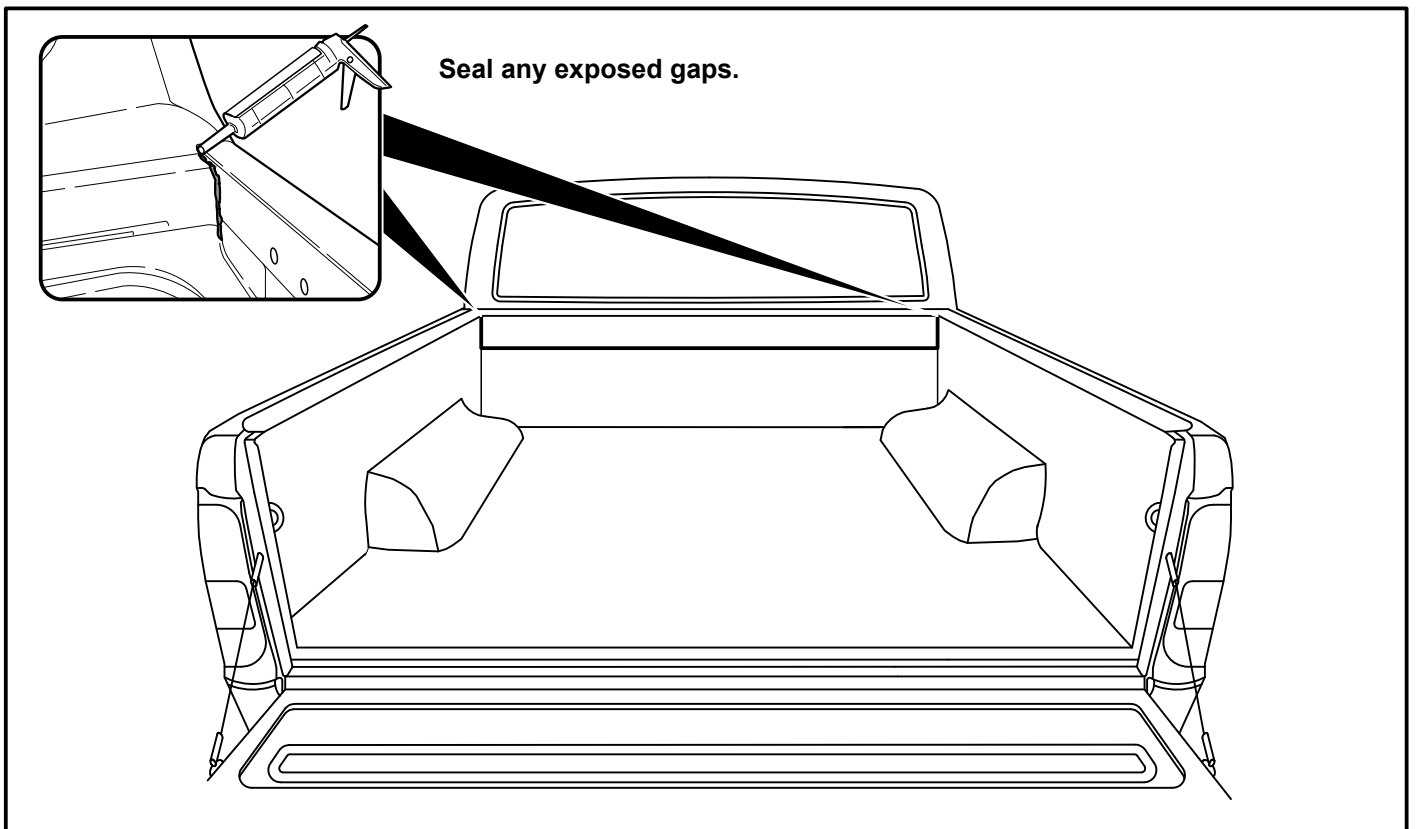
Apply tar sealant to both sides of the canister as shown (where accessible).



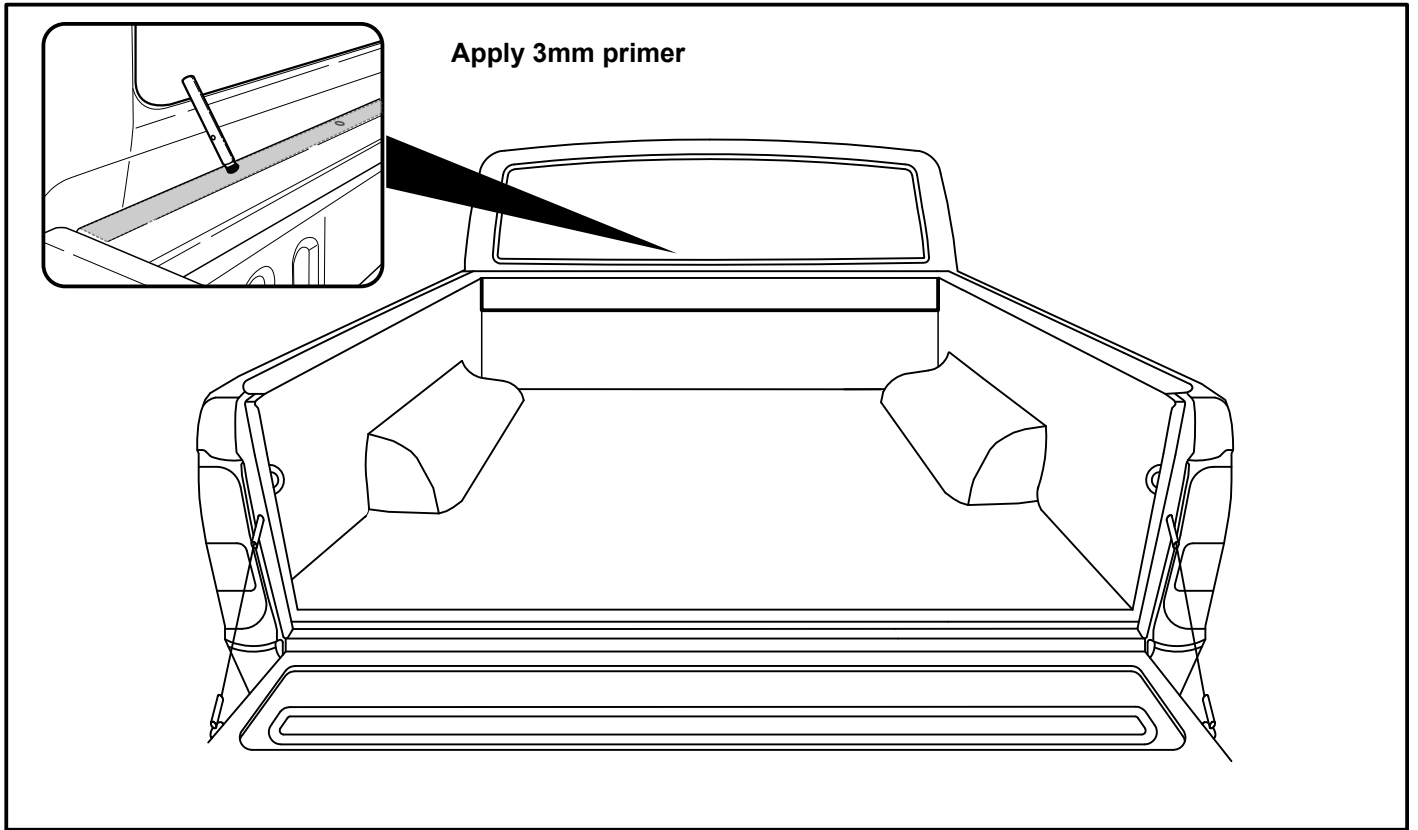
— Step 15 —



— Step 16 —

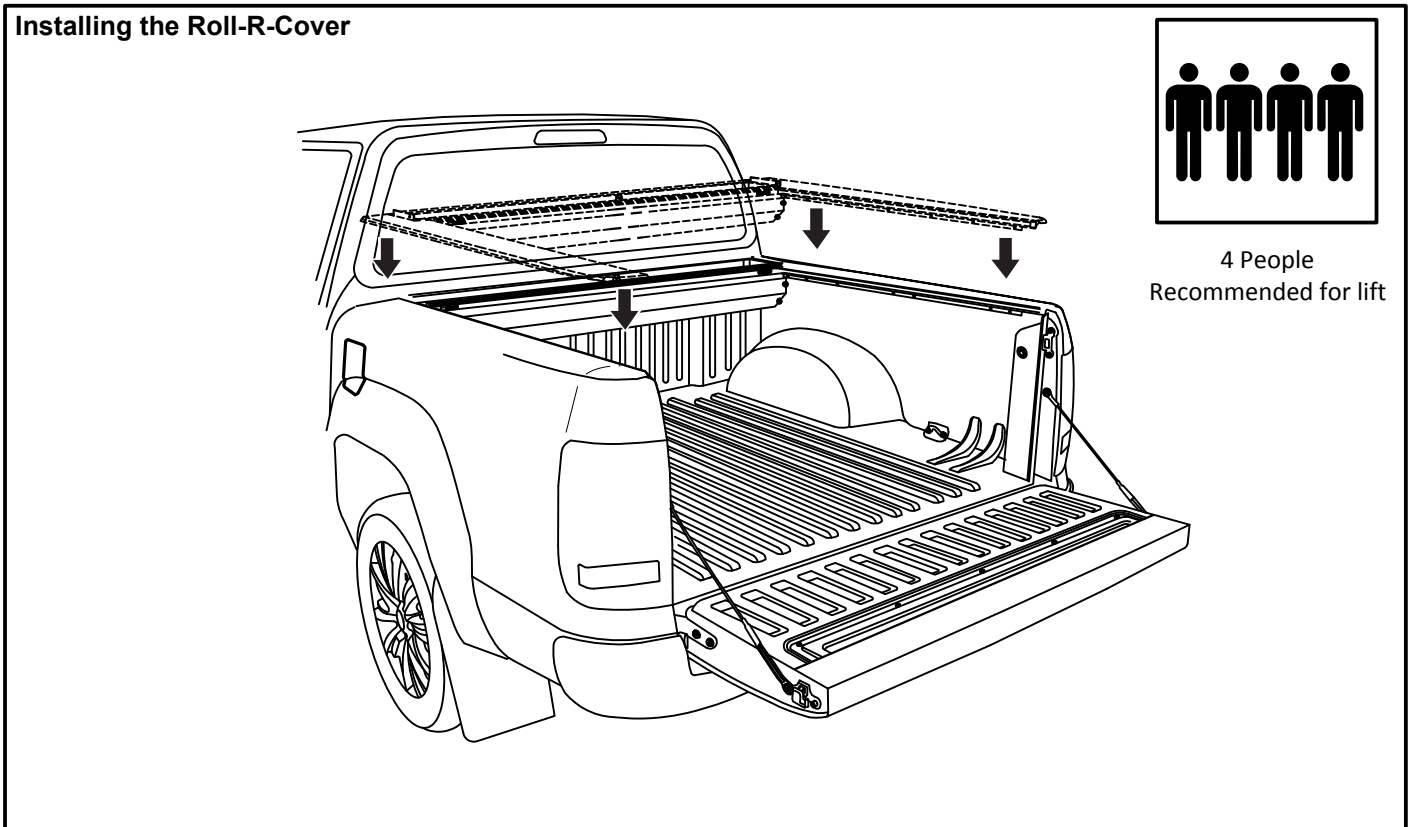


– Step 17



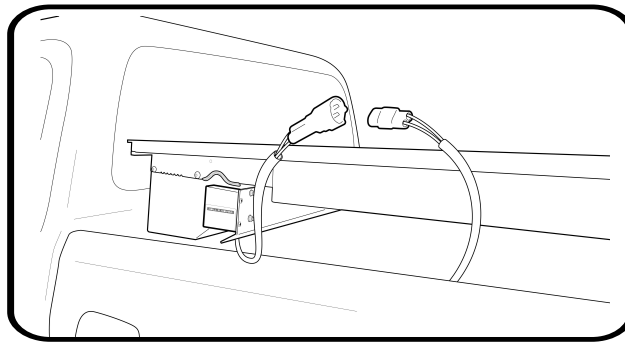
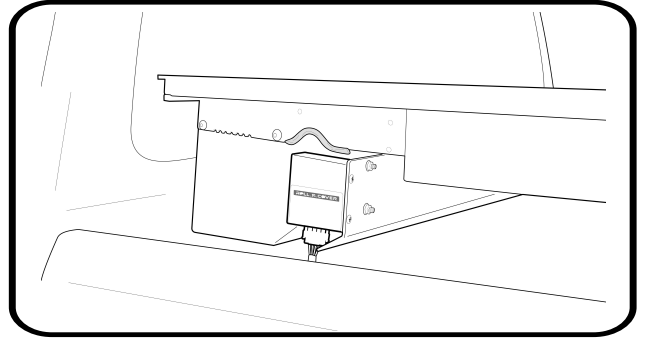
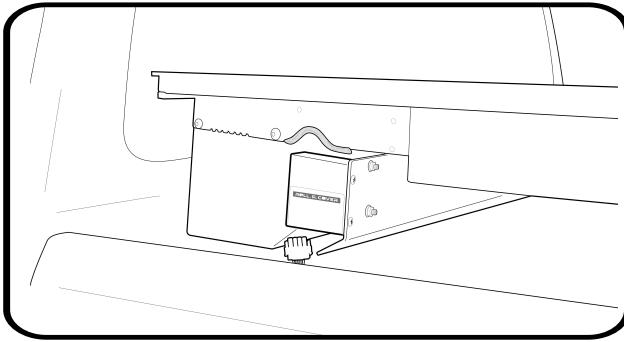
– Step 18

Installing the Roll-R-Cover

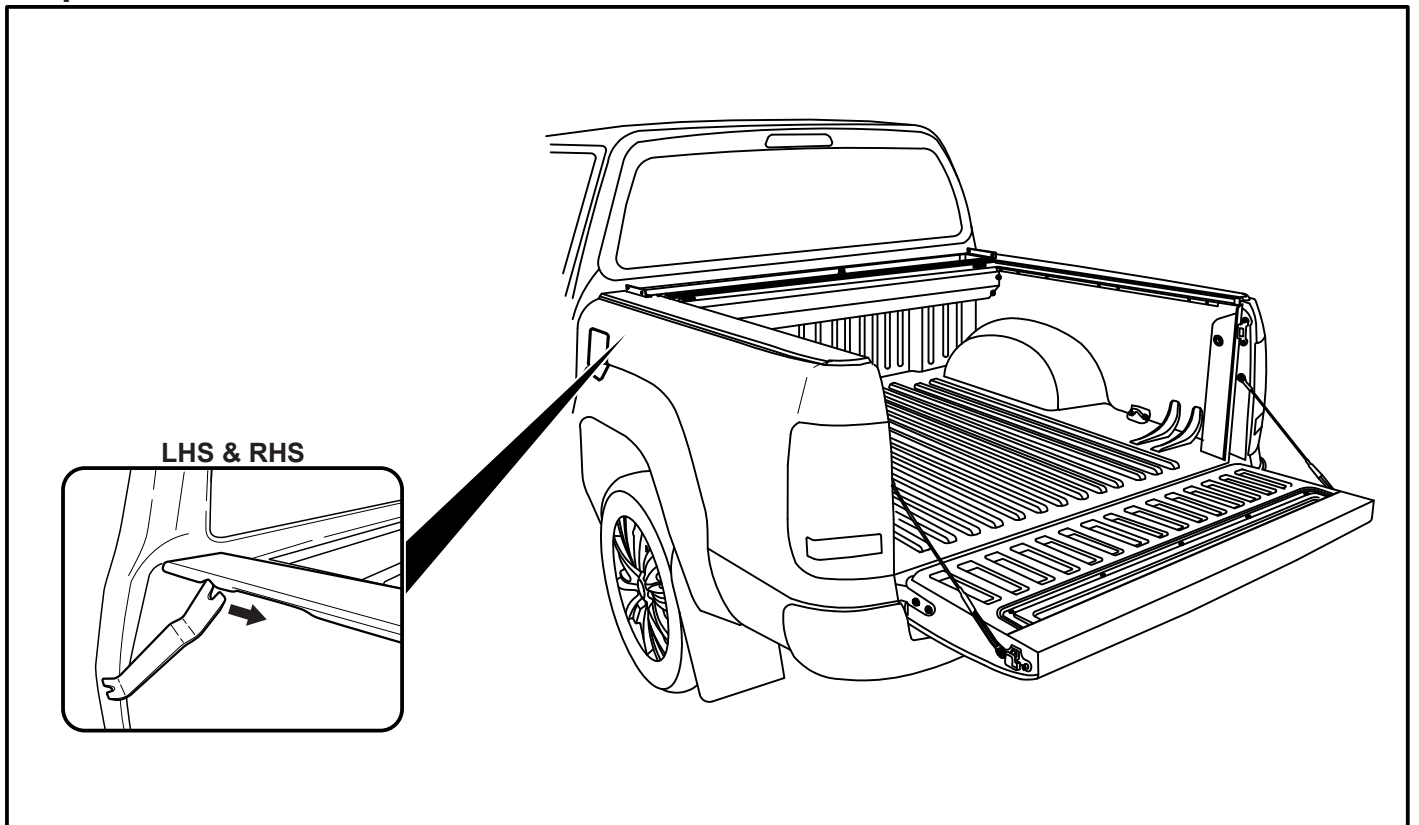


– Step 19

Before dropping the Roll R cover into place on the tub, connect all relevant connections or plugs to the receiver and motor plug connection.

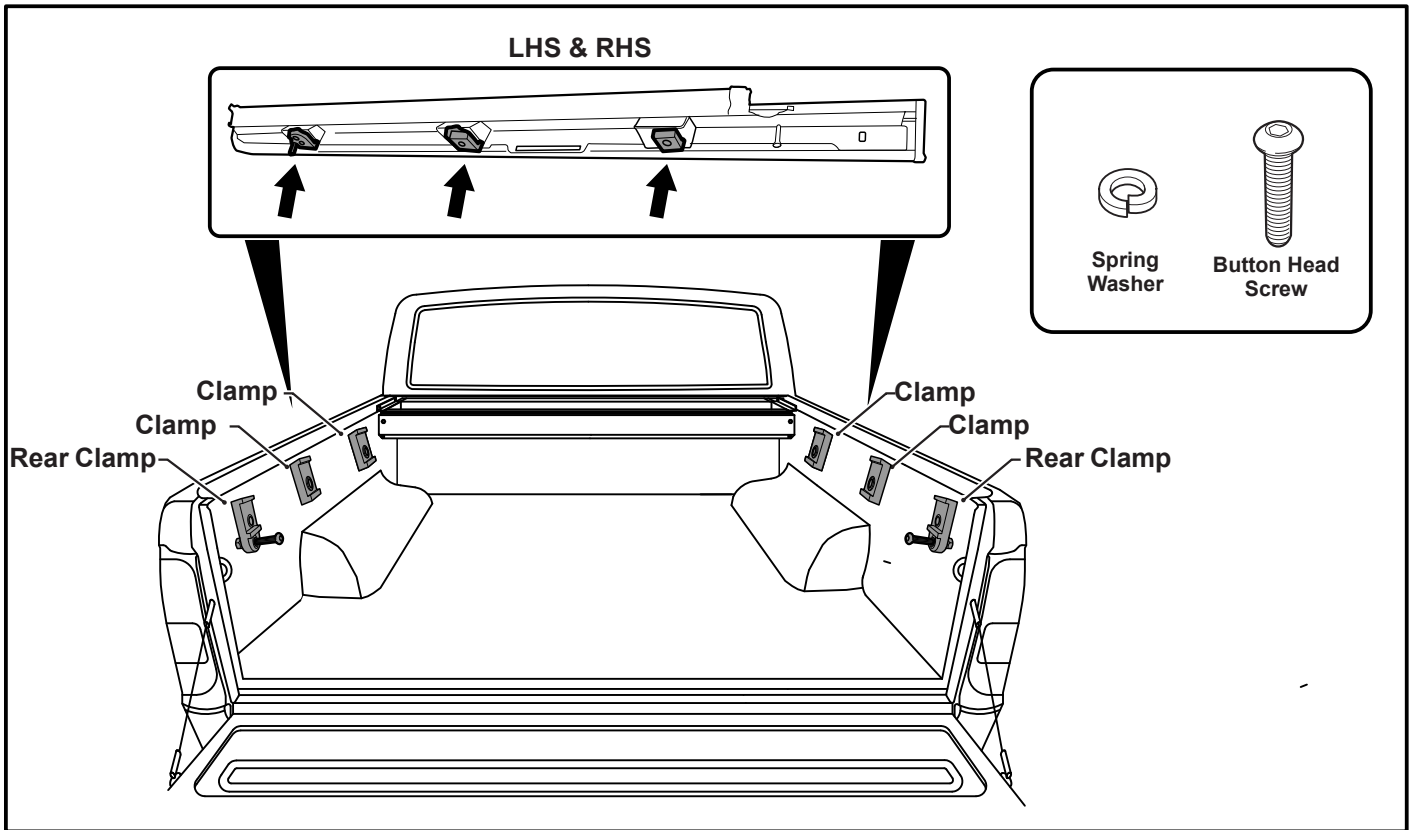


– Step 20

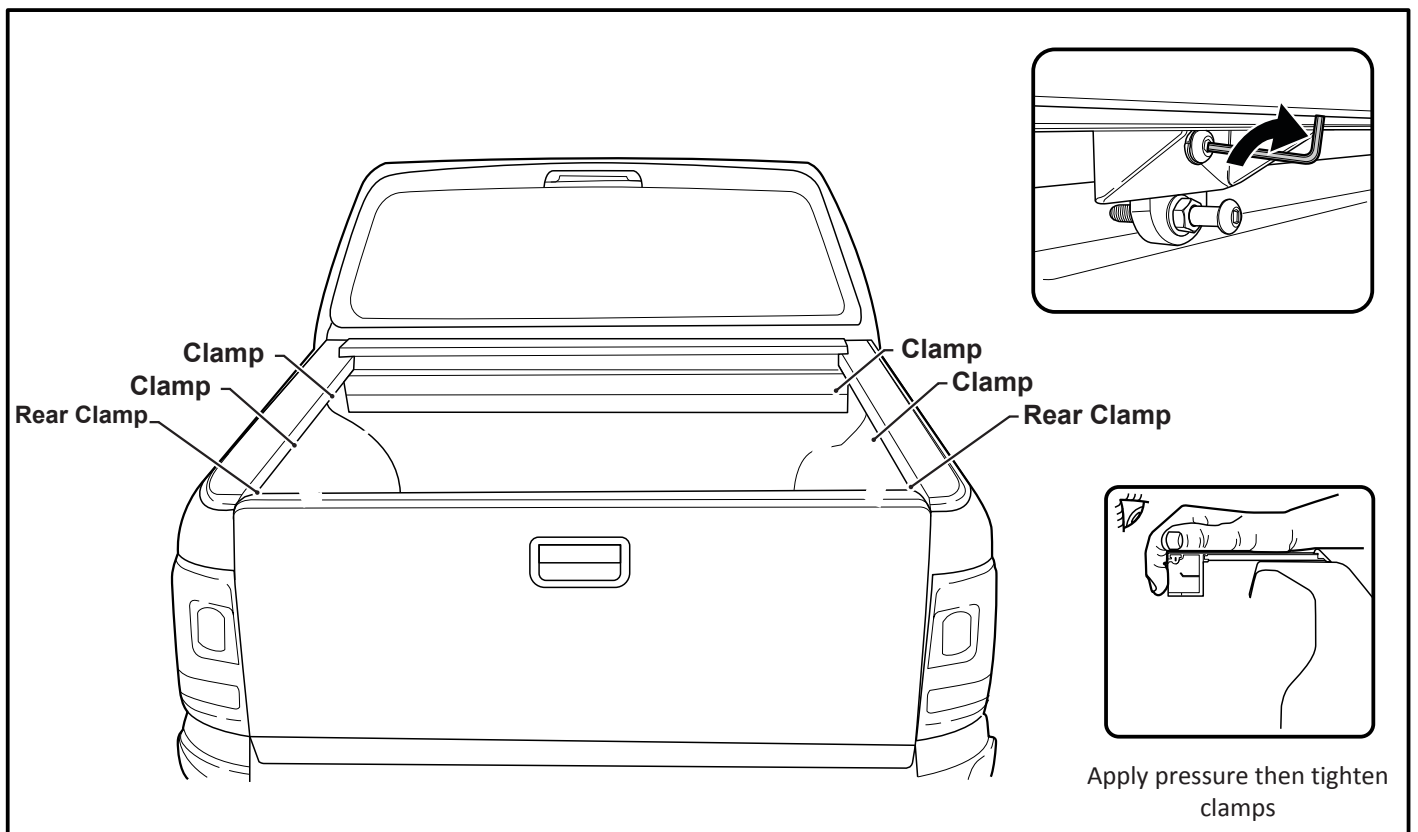




– Step 21

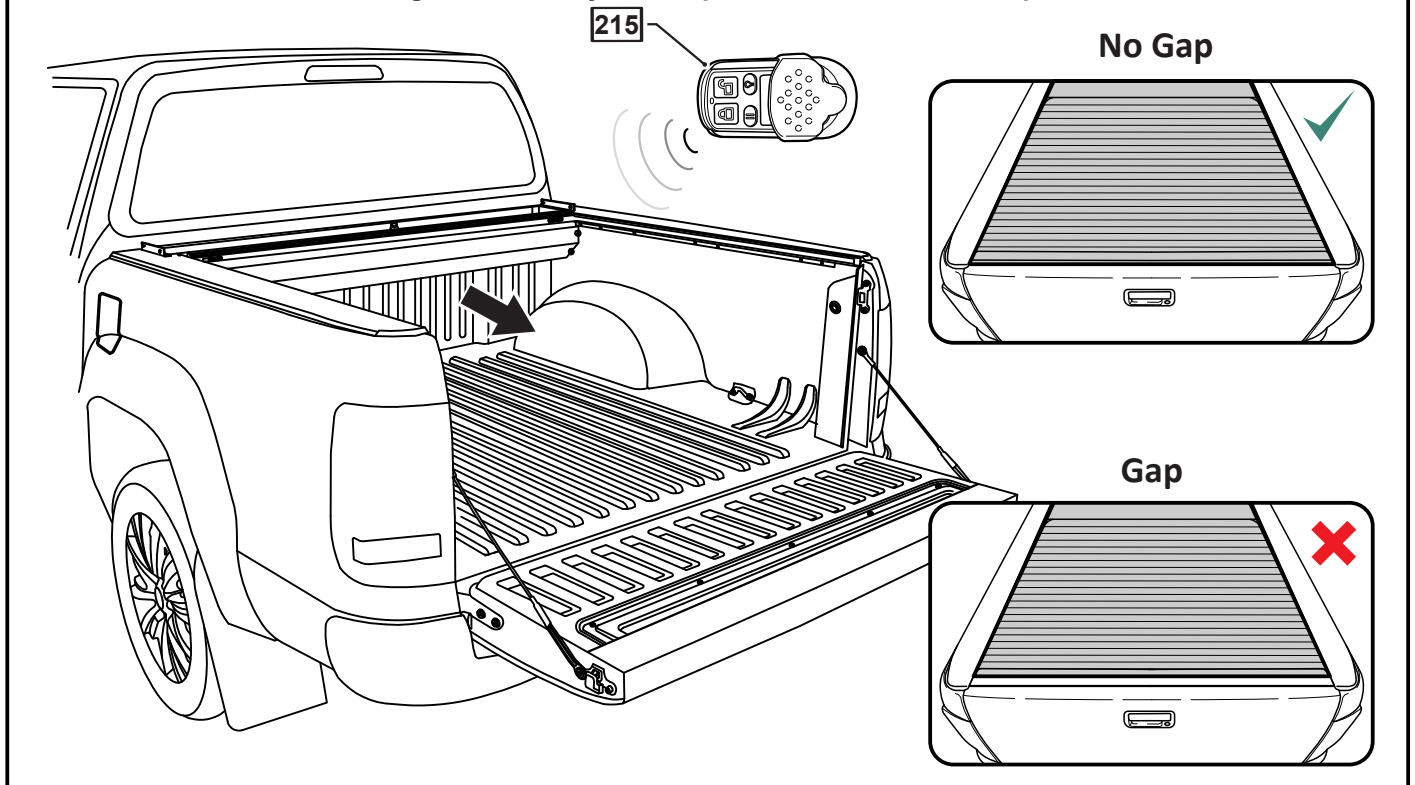


– Step 22



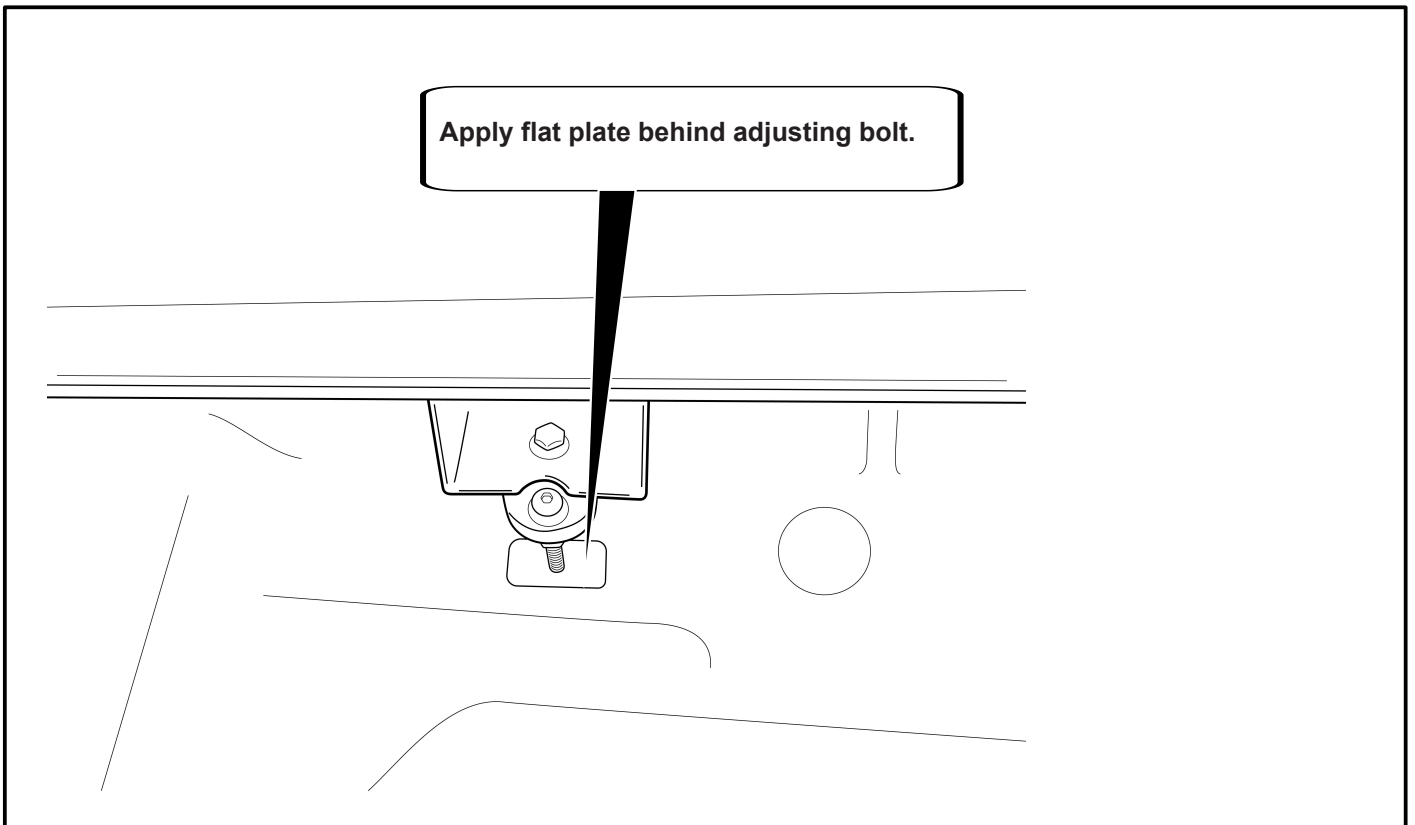
## – Step 23

If curtain doesn't meet the tailgate in it's fully closed position, loosen the clamps and shift the unit back.



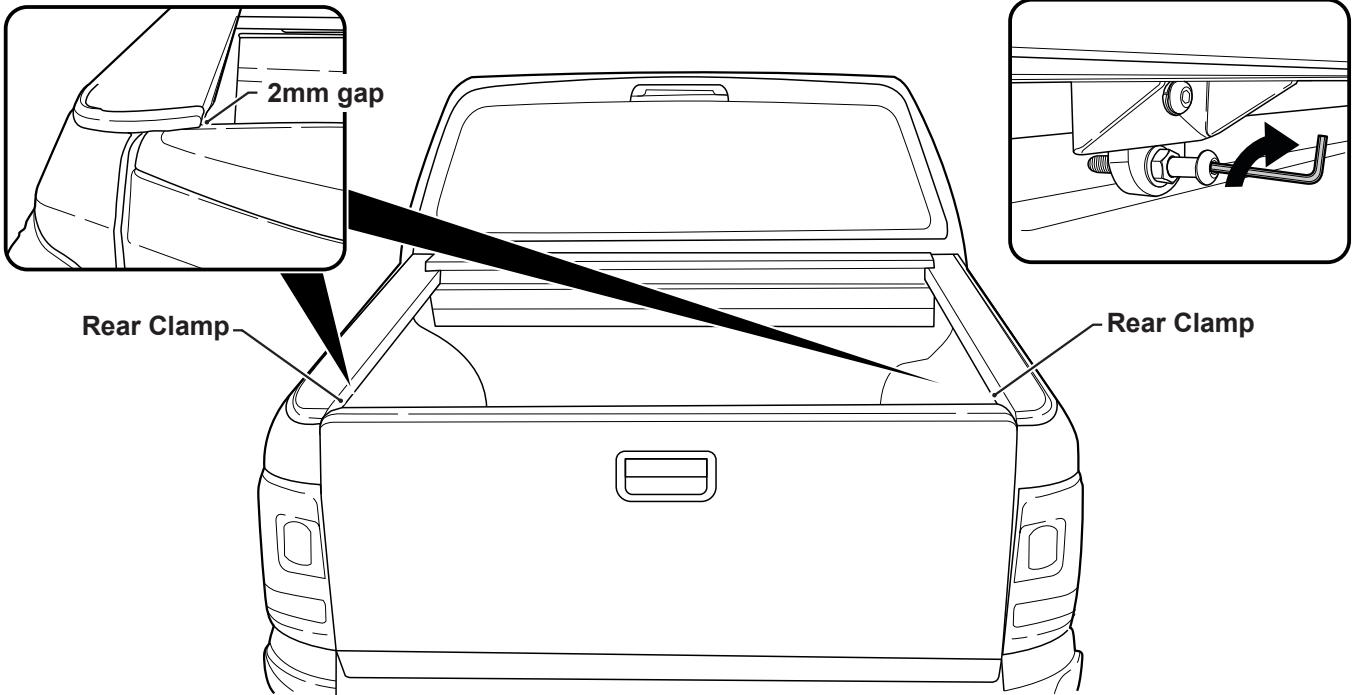
## – Step 24

Apply flat plate behind adjusting bolt.



— Step 25 —

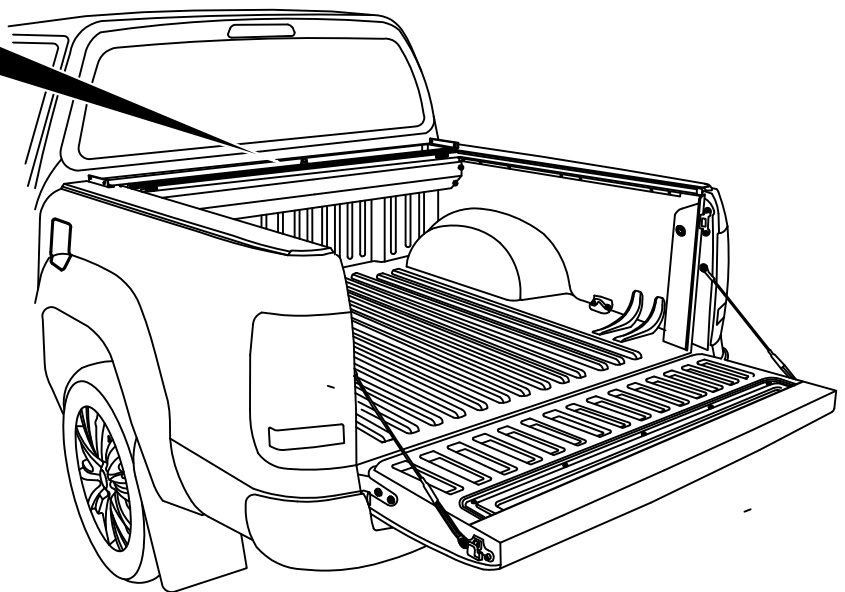
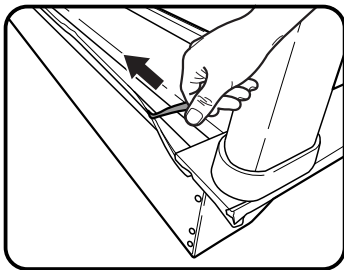
Side rail rubber must have a 2mm gap from the top of the tailgate in the closed position.



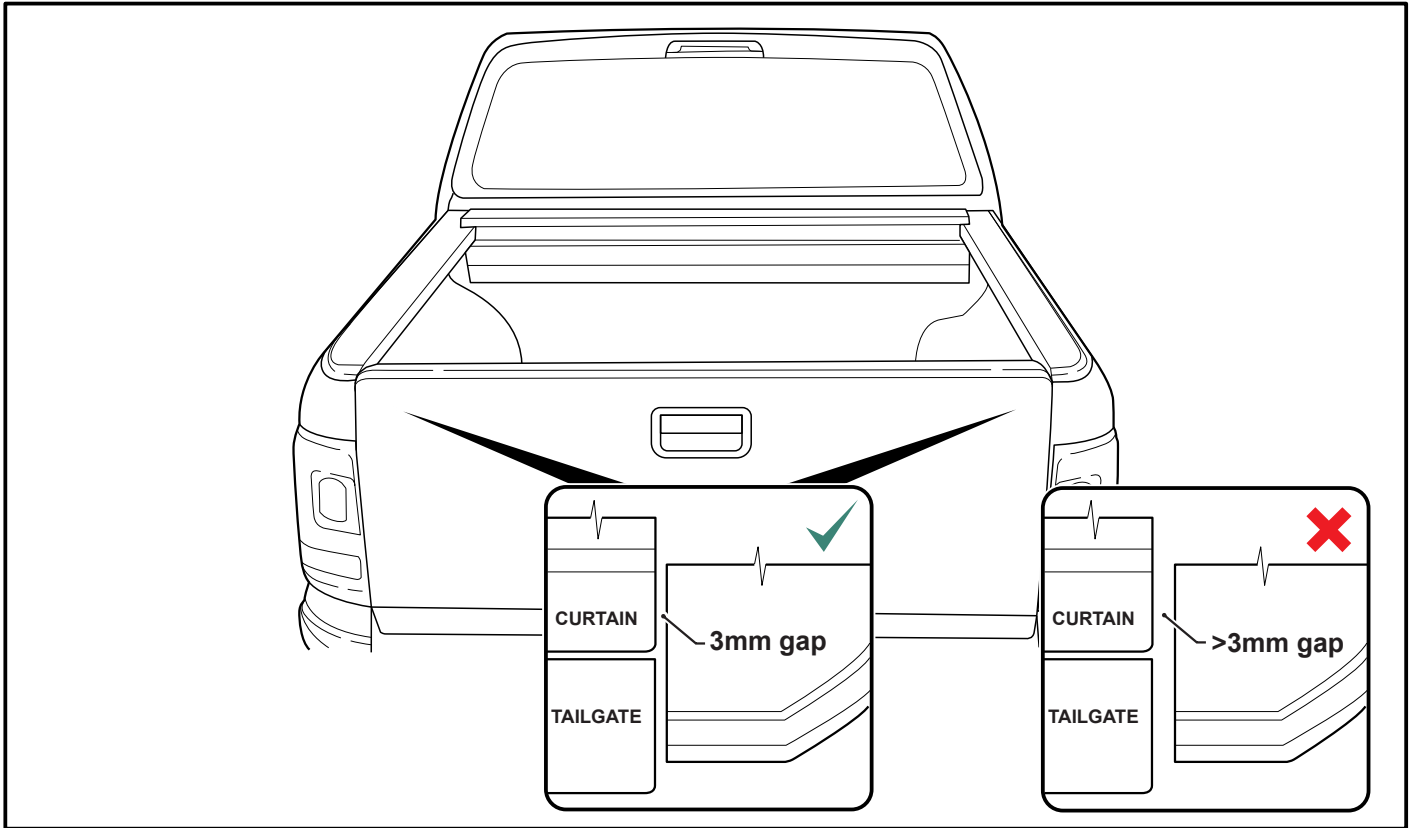
Rear clamp has an adjustment bolt. Drive the bolt in to lift the rear of the side rail till it clears the tailgate.

— Step 26 —

Peel double sided tape backing off and stick to vehicle.

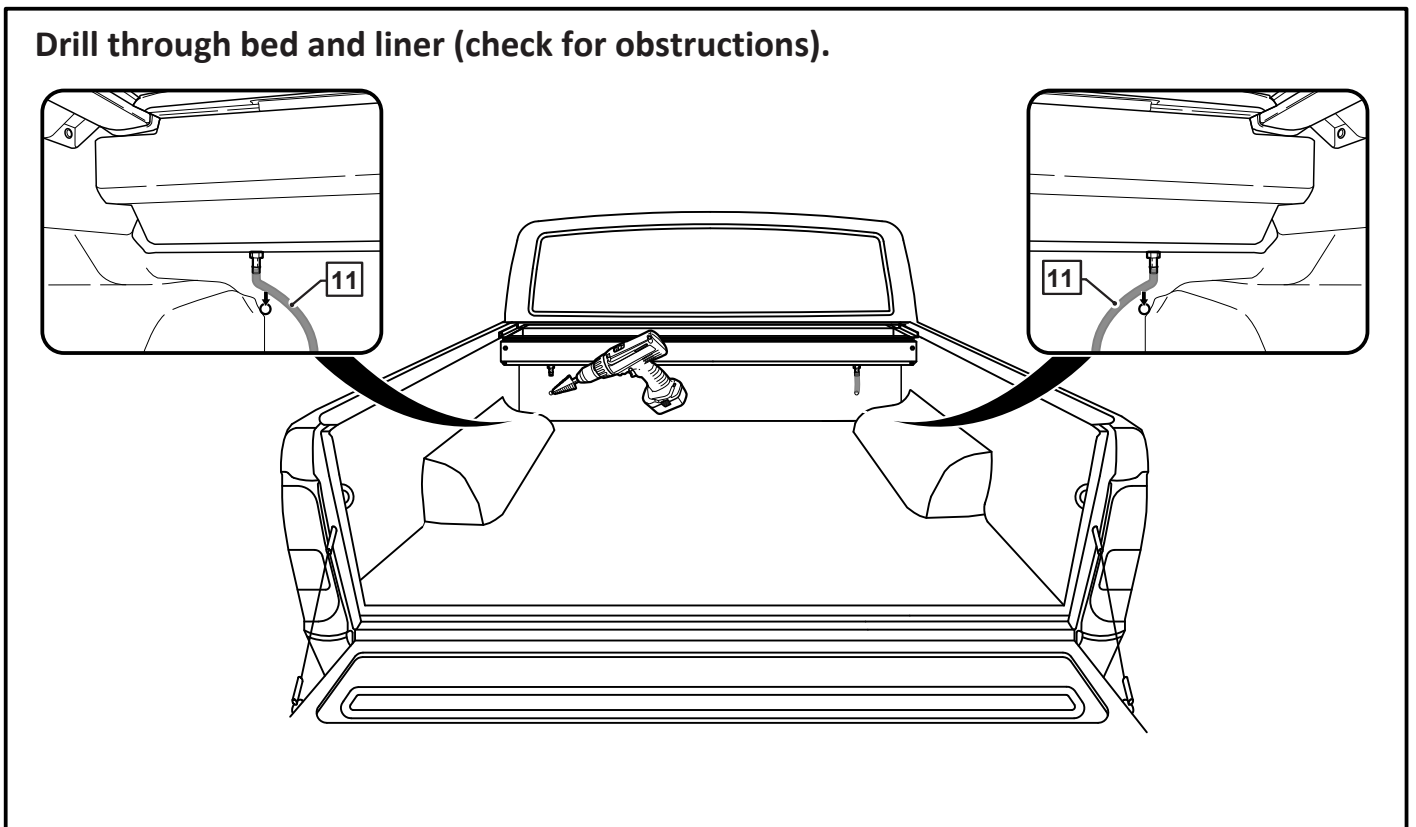


– Step 27



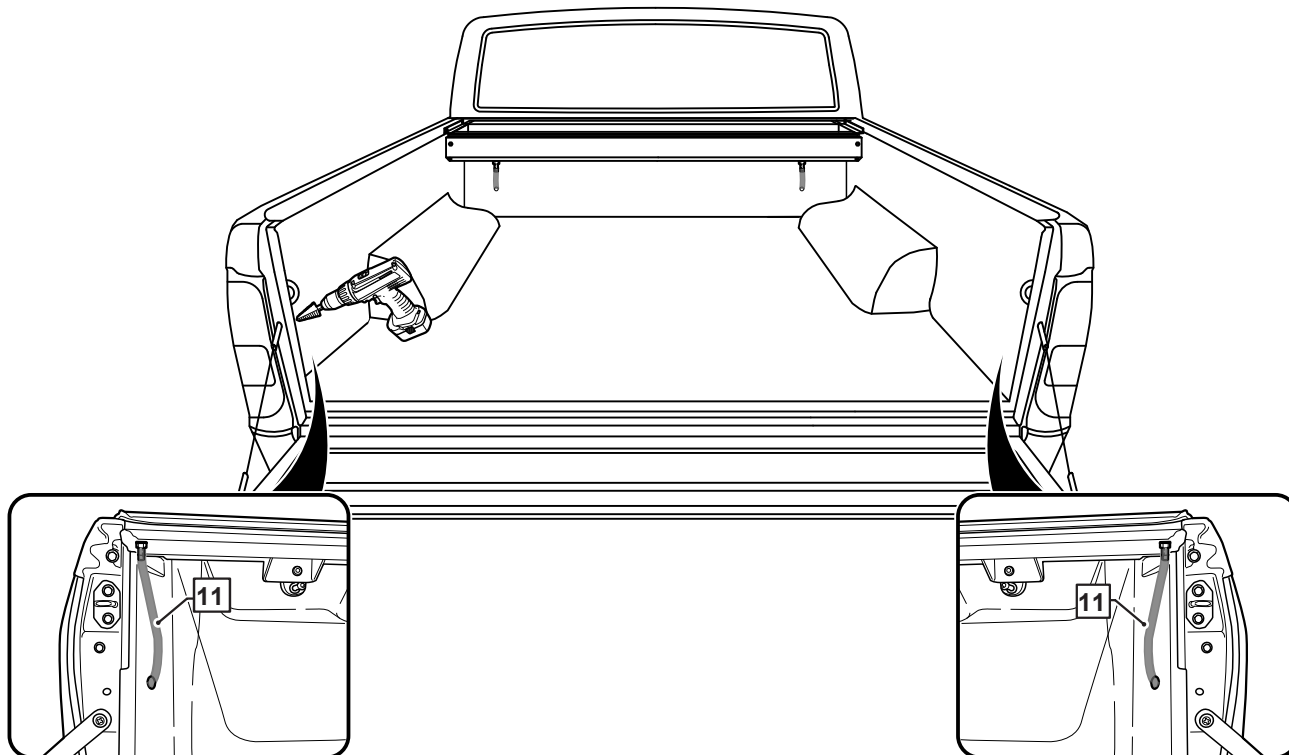
– Step 28

**Drill through bed and liner (check for obstructions).**



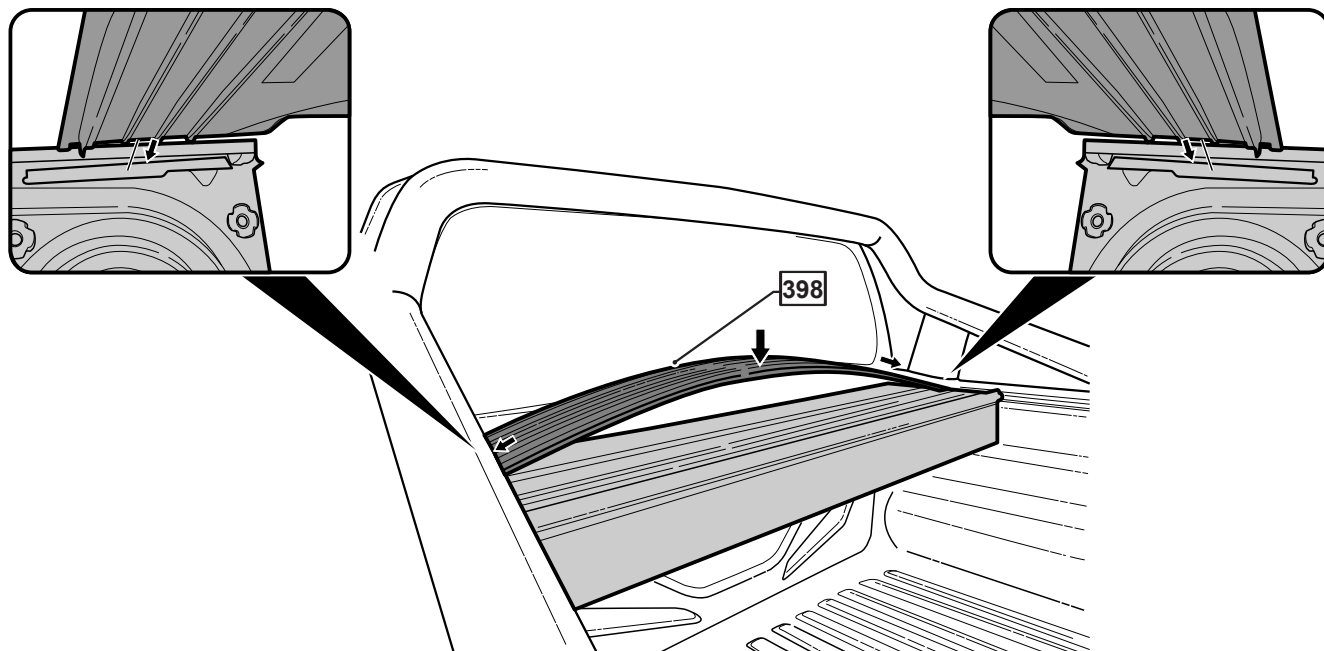
– Step 29 –

Remove the tail light to check for obstructions before drilling

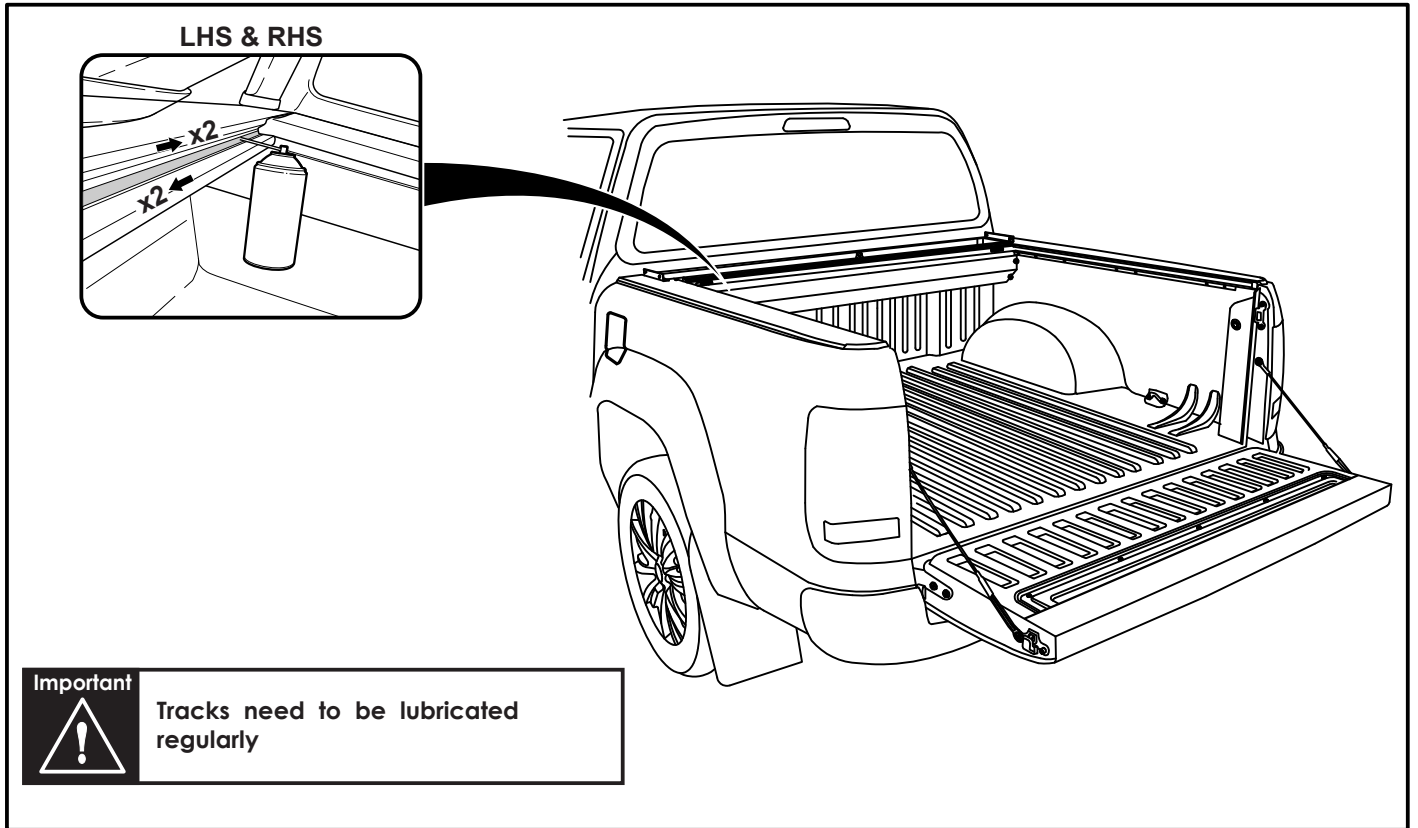


– Step 30 –

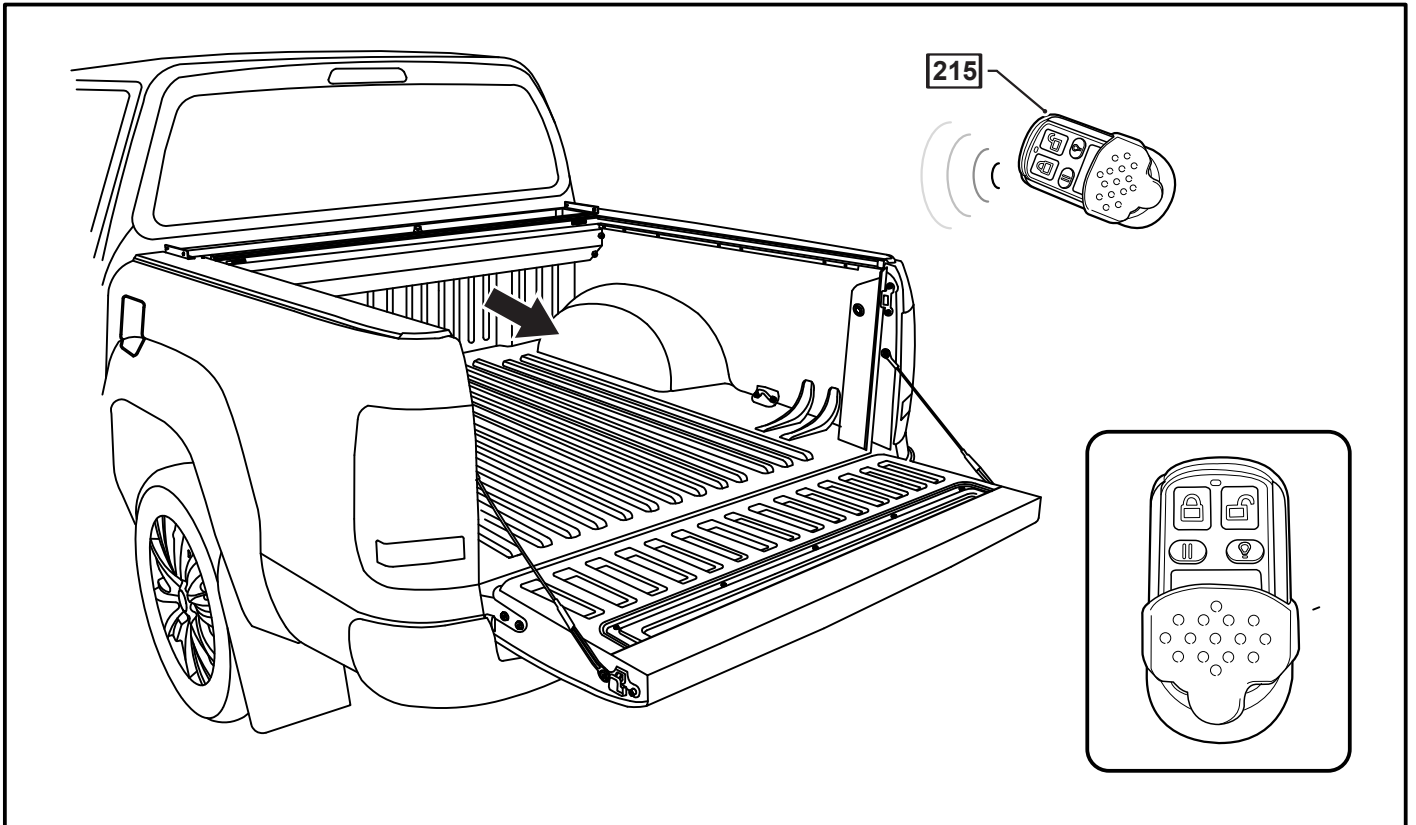
Snap fit the top cover.



– Step 31



– Step 32



**Important**



You may open tailgate when Roll R Cover is in closed position, however you **MUST NOT** close the tailgate when Roll R Cover curtain is in the fully closed position.

# WARNINGS!

[www.hsputelids.com](http://www.hsputelids.com)

 <b>NO STANDING</b>	<b>ENSURE LOAD IS SECURE</b> 	 <b>CHECK GLIDES OIL REGULARLY</b>	 <b>6Nm CHECK CLAMPS AND TIGHTEN</b>	 <b>kg DO NOT PLACE LOAD ON COVER</b>	<b>CHECK DRAIN</b>  <b>CLEAN CANISTER</b>	 <b>MECHANICAL HAZARD</b> 	<b>NO PEOPLE OR ANIMALS UNDER ROLL TOP</b> 
------------------------	--	---	---	--	---	--------------------------------------	--

E. & O.E. This document is copyright and must not be used except as permitted below or under the Copyright Act 1968. You may reproduce and publish this document in whole or in part for your or your organisation's own personal or internal compliance, educational or non-commercial purposes. You must not alter or amend this document in any way. You must not reproduce or publish this document for commercial gain without the prior written consent of the copyright owner.