



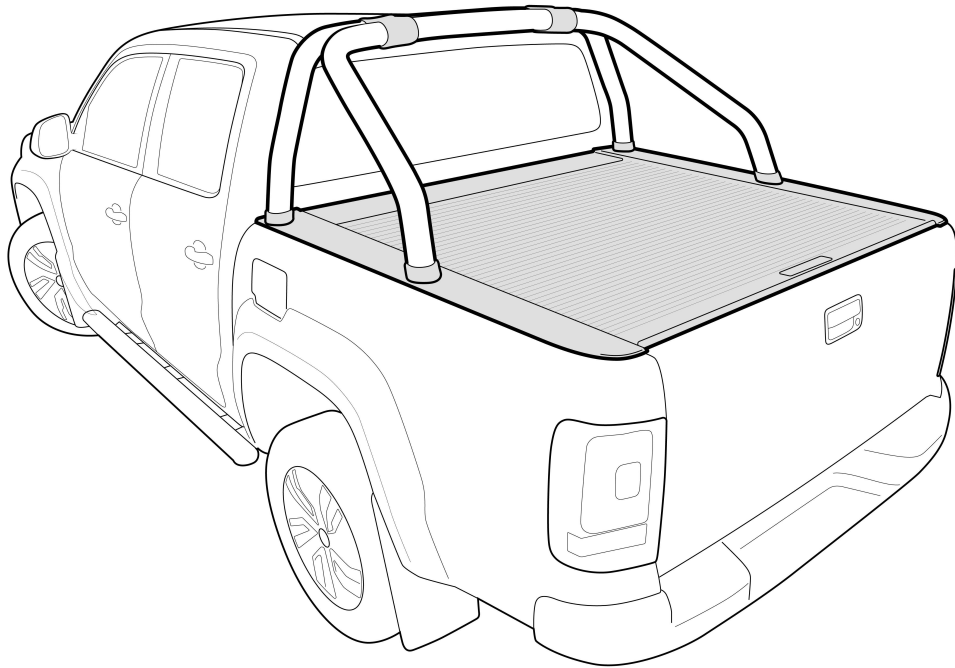
WWW.HSPUTELIDS.COM

Part No: A42R

Fitting Time: 180 minutes

ROLL.Я.COVER

To suit Volkswagen Amarok with sports bars



Roll-R-Cover

Fitting Instructions

– General Notes

- Read through the fitting instructions before installation of accessory.
- Always install the Roll R Cover Wiring Kit following the workshop manual and fitting instructions provided. Failure to do so may cause damage to the vehicle or the accessory.
- Ensure all recyclable components and packaging are discarded and recycled following local recycling regulations.
- It is always recommended that the Roll R Cover Wiring Kit is fitted by a qualified automotive technician.
- Safely store and protect any removed vehicle components.

– Safety Notes

- Check that all work practices comply with safety standards.
- Please wear appropriate clothing and use safety equipment.



– Fitting Time



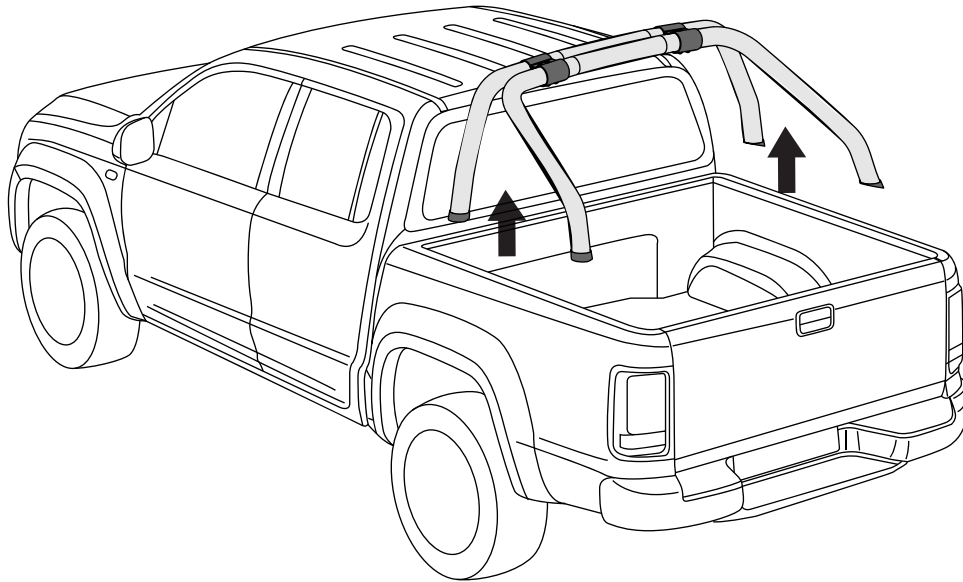
180 minutes

– Parts Supplied

A42R		DUAL CAB VOLKSWAGEN AMAROK - ROLL R COVER WITH SPORTS BAR MOUNTING KIT	
PART DESCRIPTION	PART NUMBER	QUANTITY/LENGTH	CHECK
A42R FITTING INSTRUCTIONS	356*	1	
LUBRICANT PUMP SPRAY	47*	1	
REMOTE	215*	2	
PRIMER STICK	44*	1	
CABLE TIE 4.8X300	217*	10	
ROLL R LOOM	216*	1	
A4R CANISTER AND CURTAIN	264*	1	
A42R RAIL RIGHTHAND	281*	1	
A42R RAIL LEFTHAND	282*	1	
A42R SPORTSBAR BRACKET	32*	4	
M8 NYLOC NUT	28*	4	
M8 FLAT WASHER	34*	4	
A42R GASKET	227*	4	
HOSE 600MM	11*	4	
COMPLETE CANISTER COVER	396	1	
OPERATION LEAFLET	66	1	
MAINTENANCE LEAFLET	67	1	
ADJUSTMENT PLATES	31	2	
BLACK PUTTY	3*	8	

The following steps are for vehicles fitted with a Sportsbar (kit will only work with OE Sportsbar).

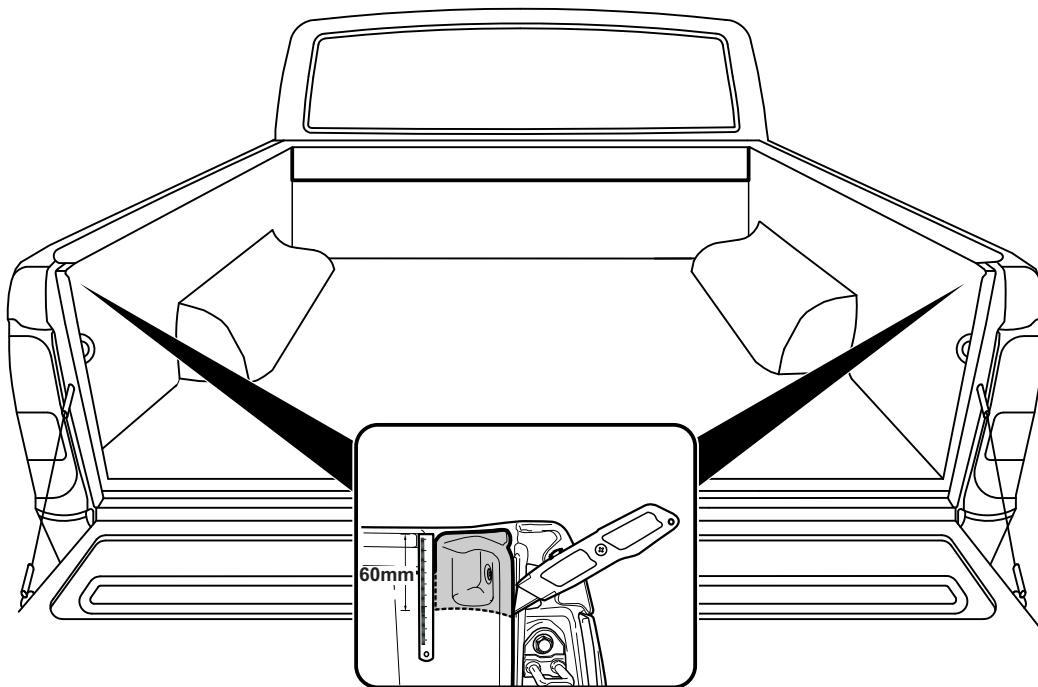
– Step 1



Remove Sports Bars from vehicle.

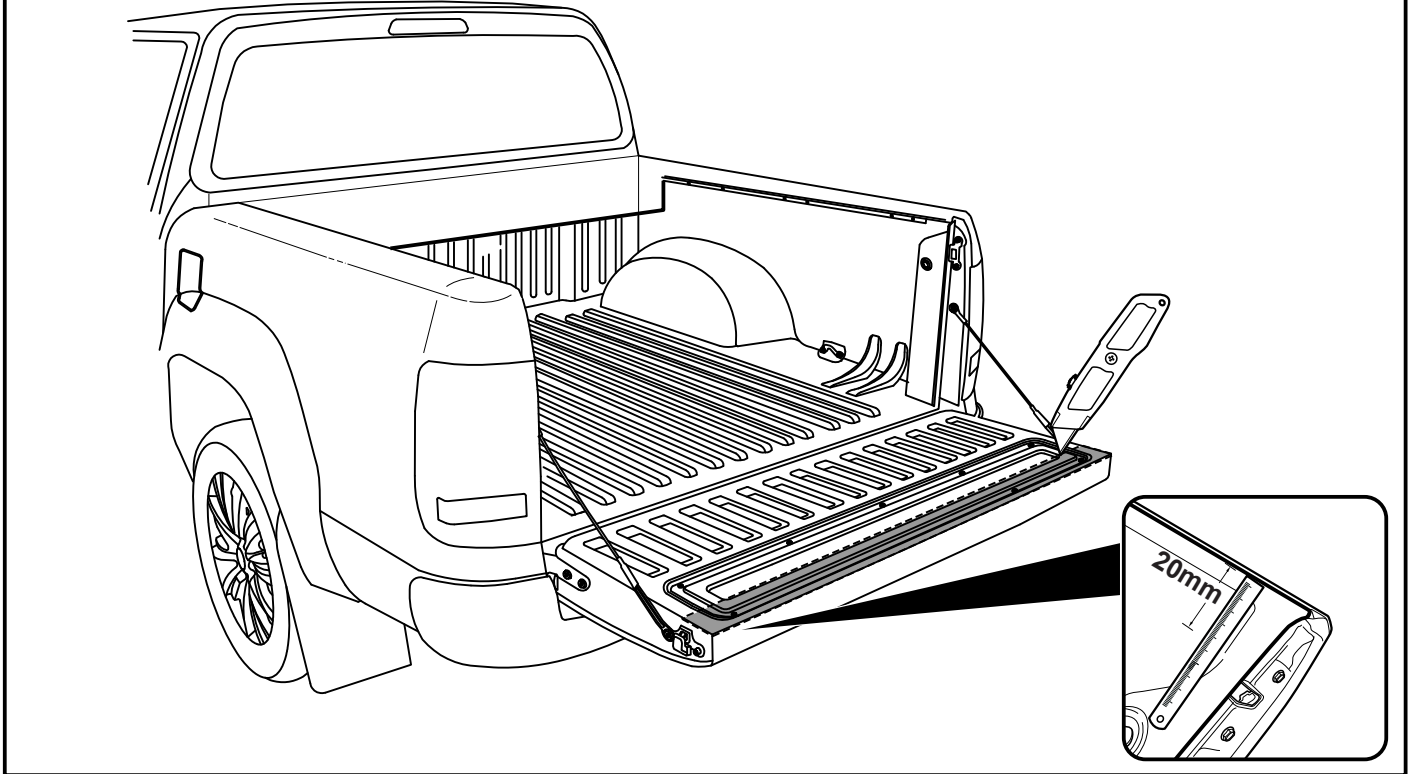
– Step 2

Measure 60mm from top of tub and trim liner.



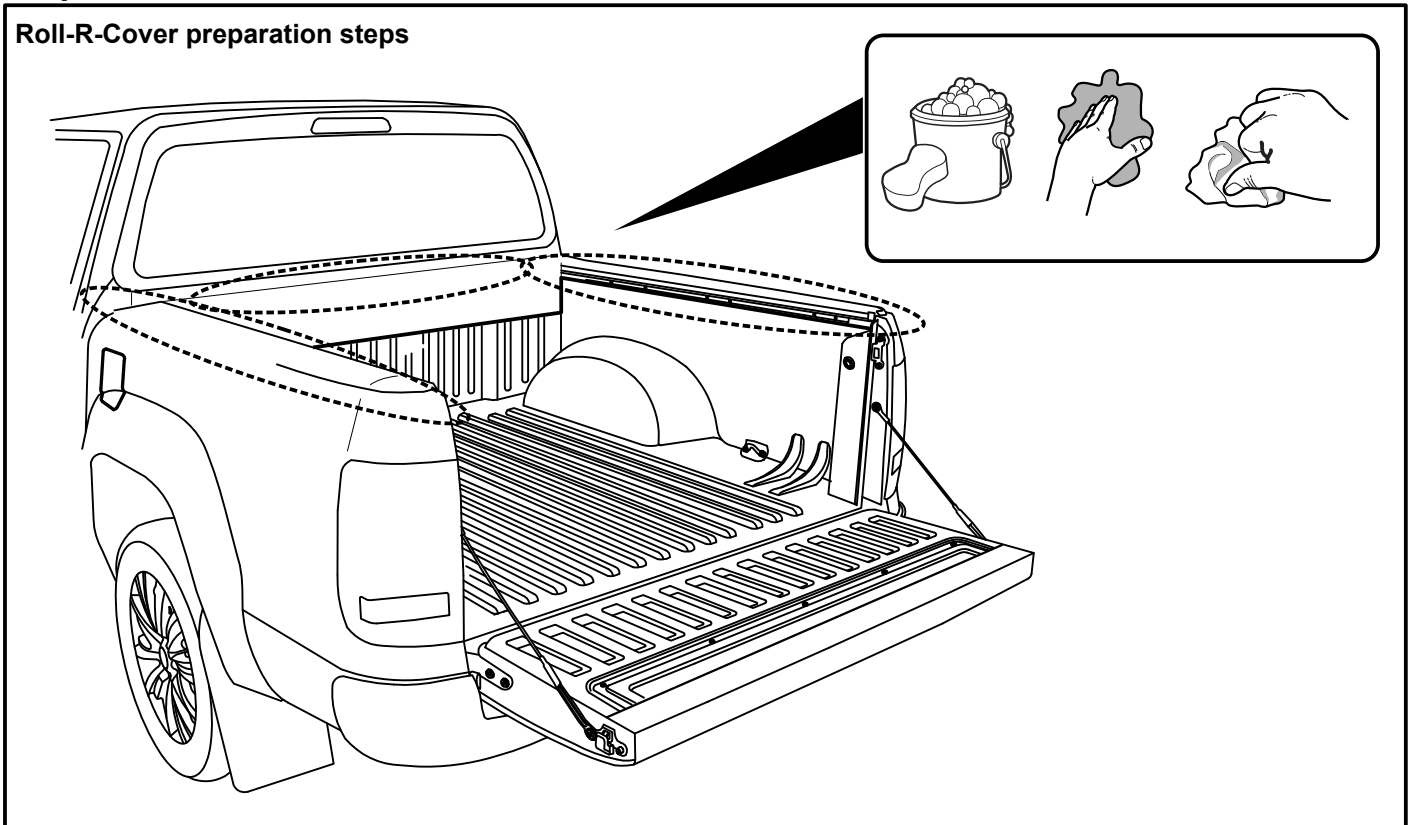
– Step 3

Measure 20mm down from top of tailgate and trim tailgate liner.



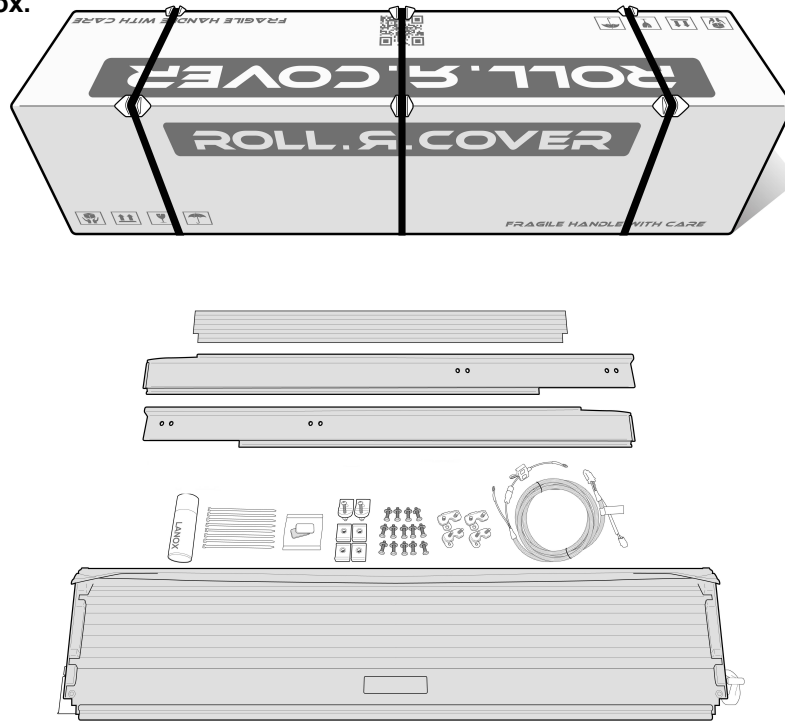
– Step 4

Roll-R-Cover preparation steps



– Step 5

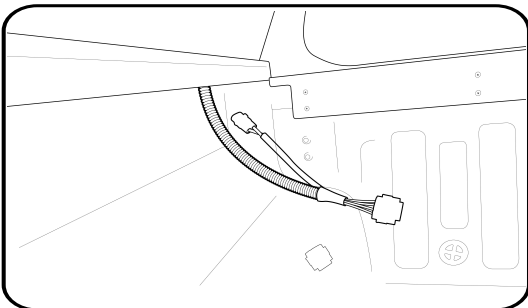
Carefully unpack the box.



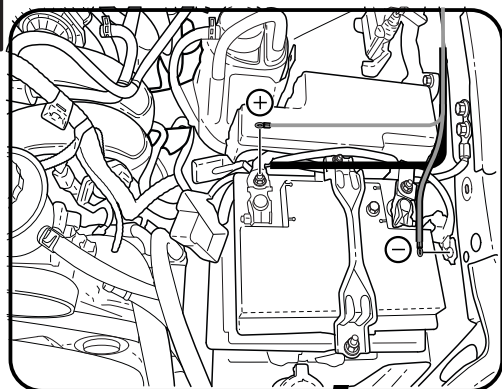
– Step 6

Wiring Harness steps

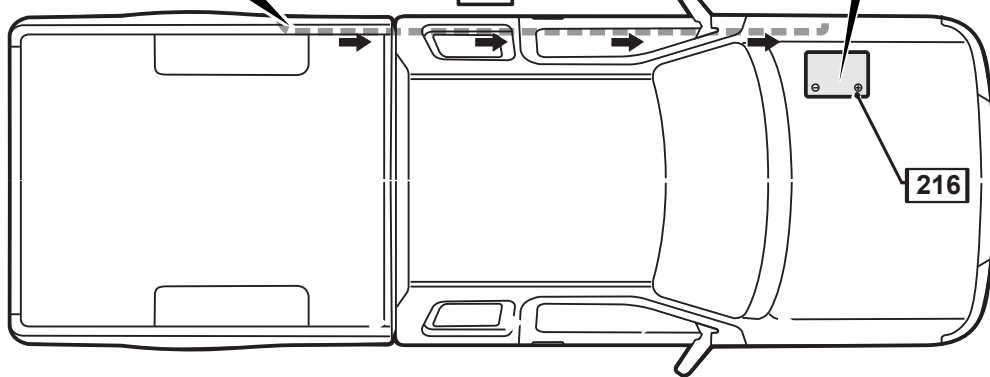
1 Feed through the cavity



3

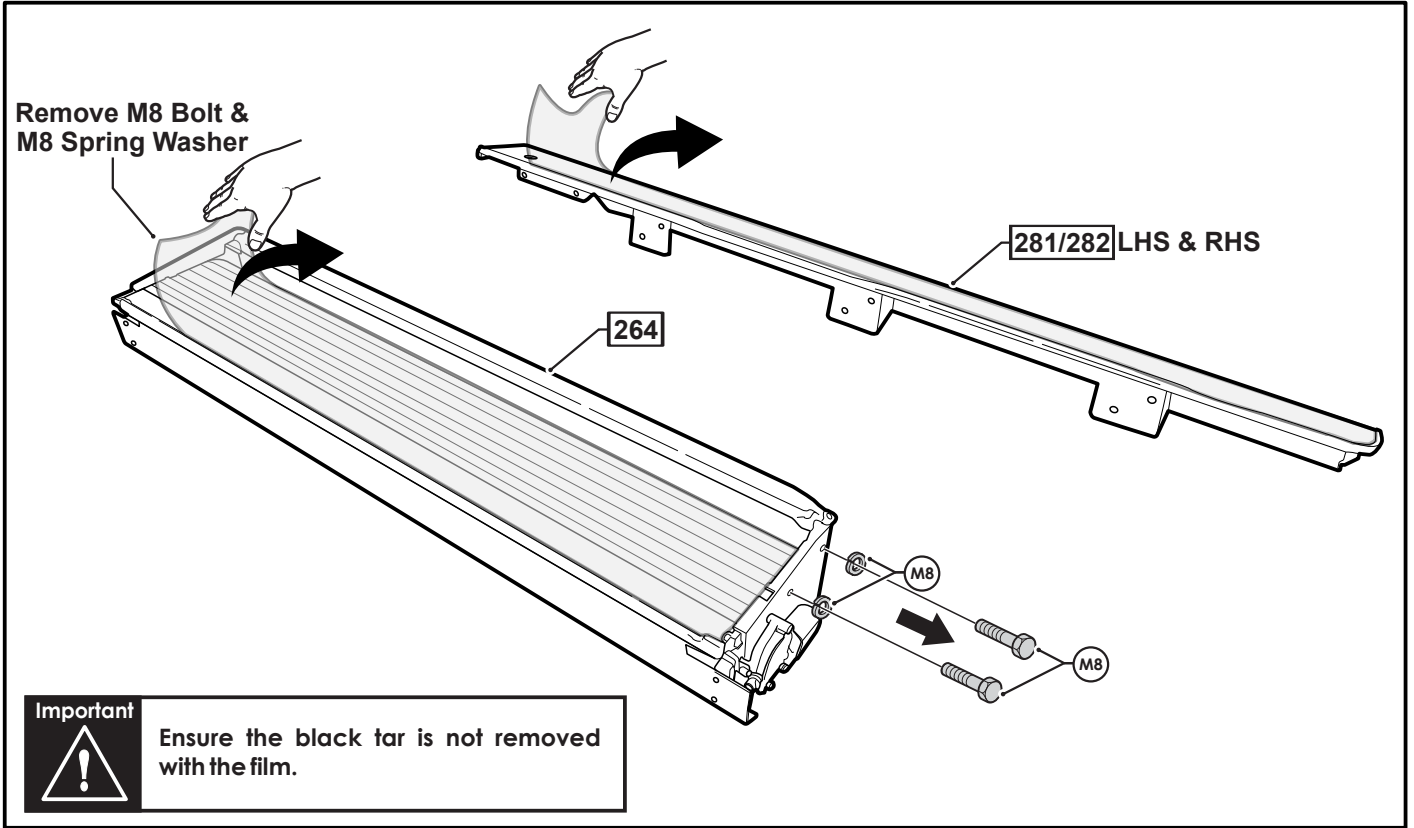


2

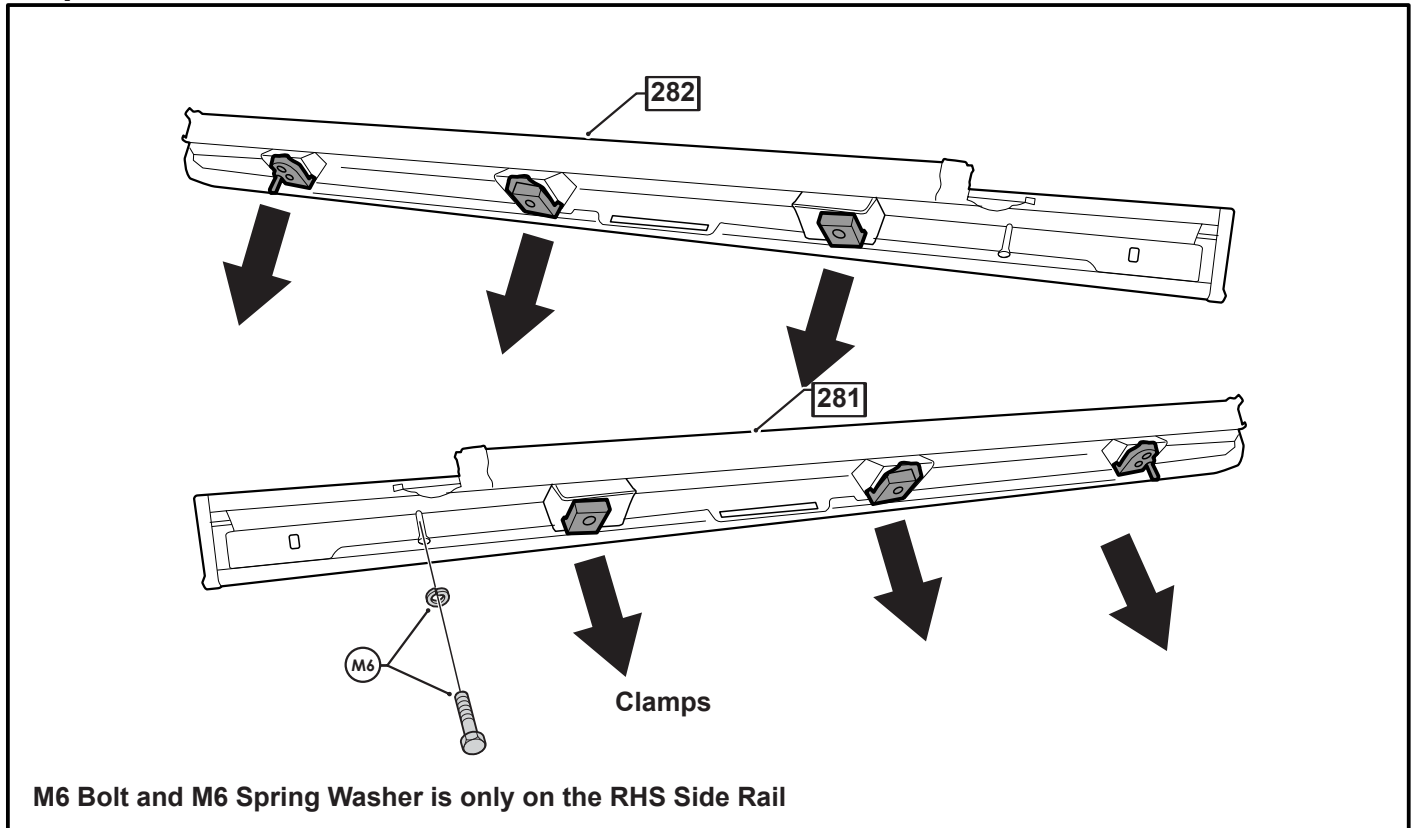


Run the wiring from the front corner cavity to the battery over the chassis rail. Making sure to keep away from hot obstructions and cable tie every 400mm.

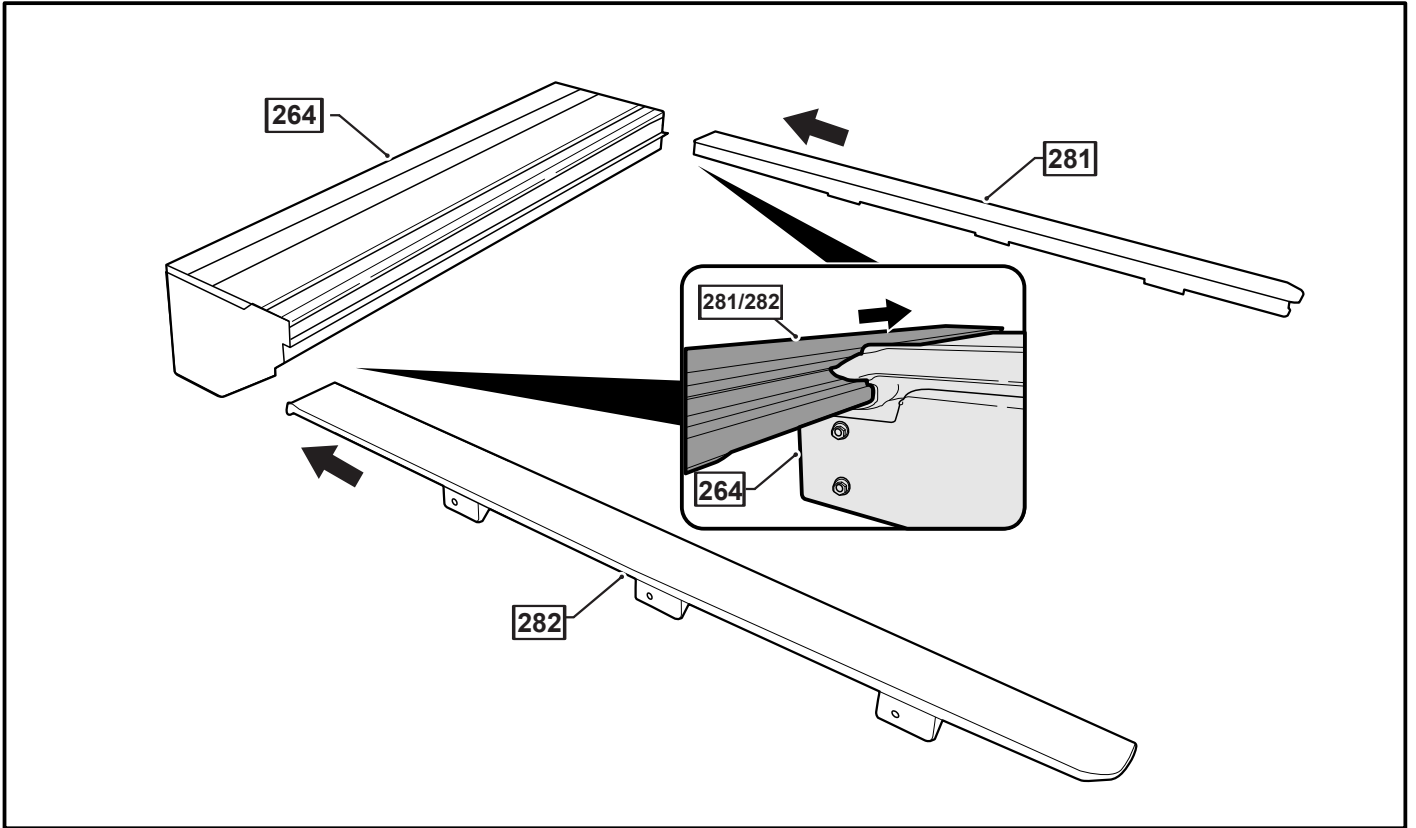
– Step 7



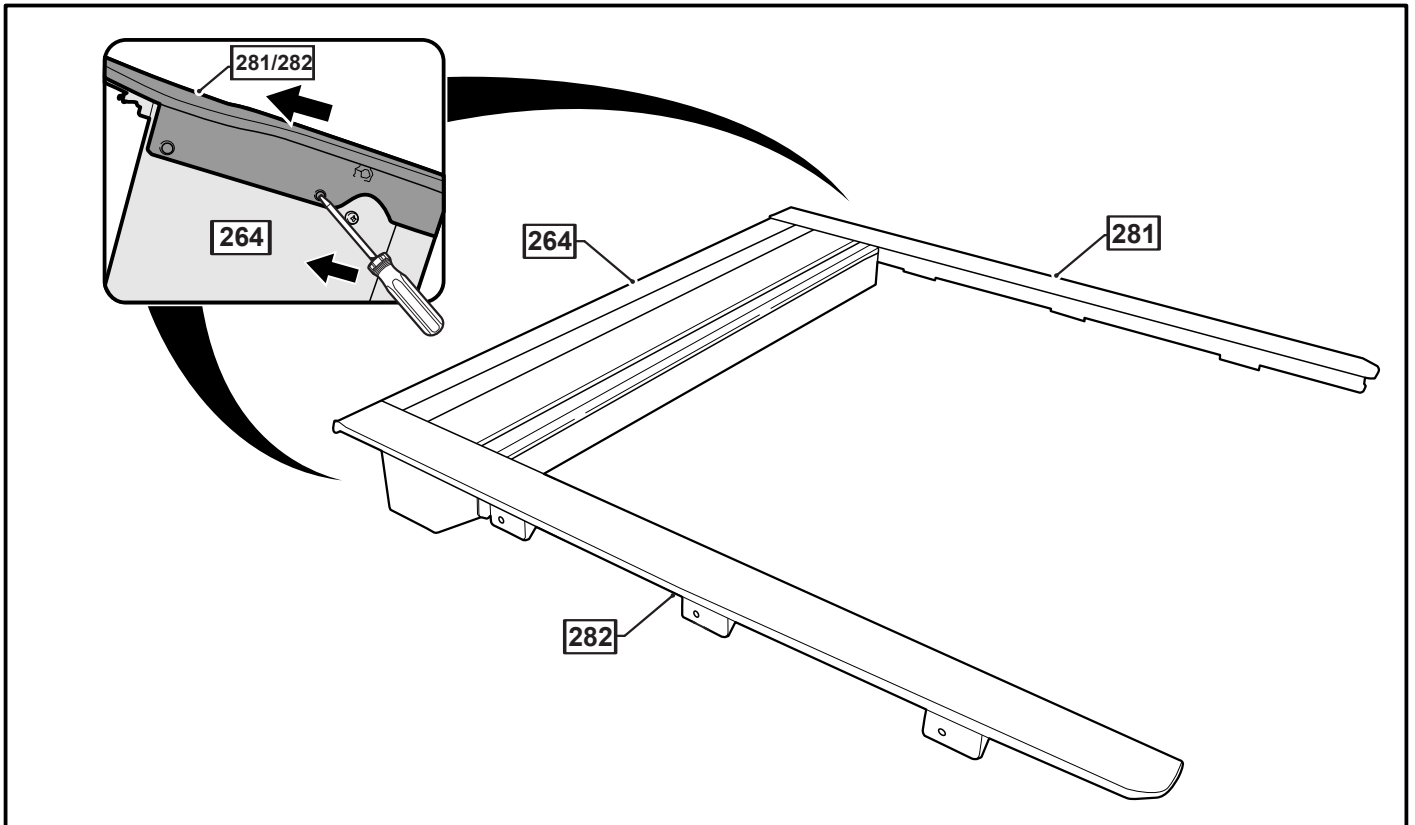
– Step 8



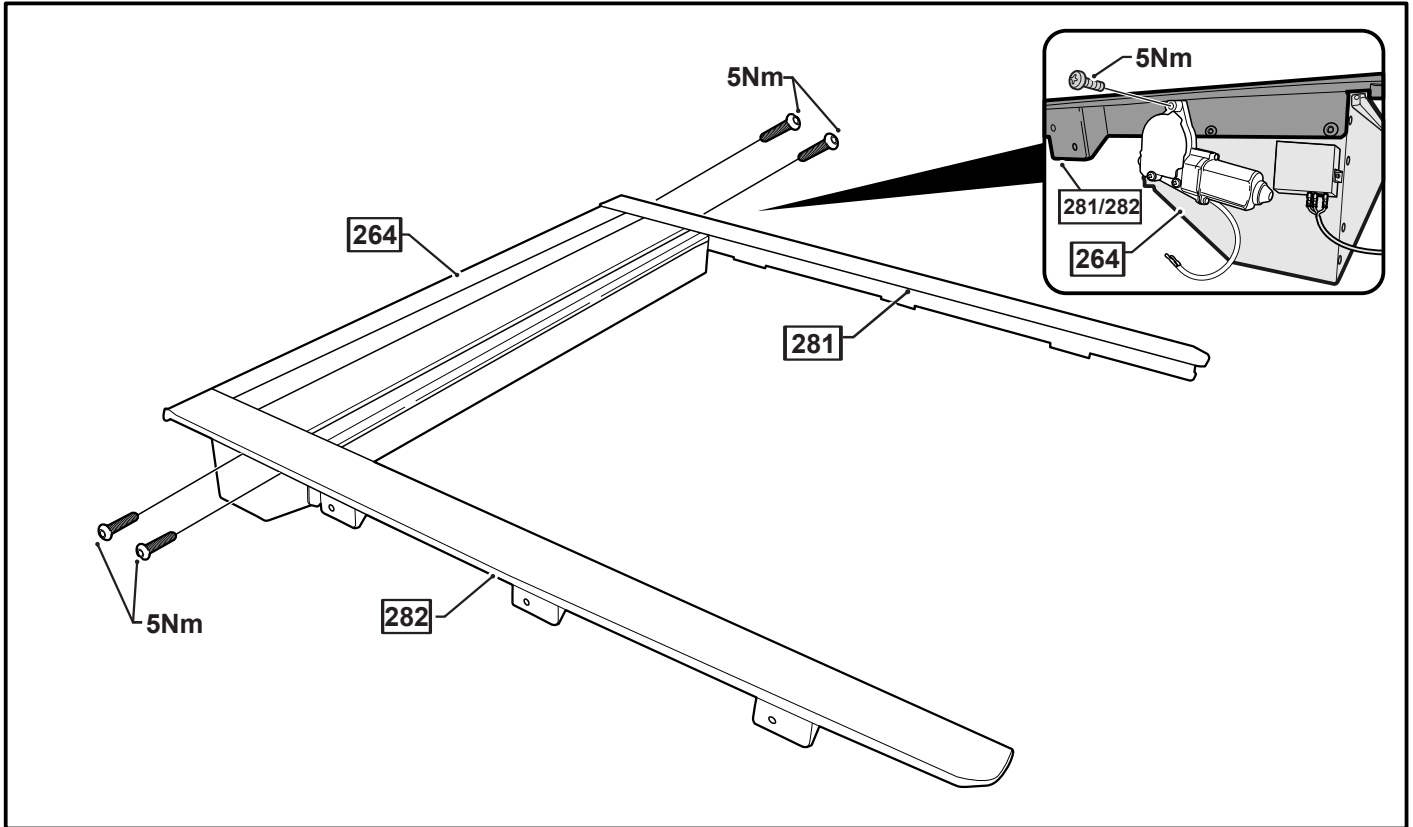
– Step 9



– Step 10

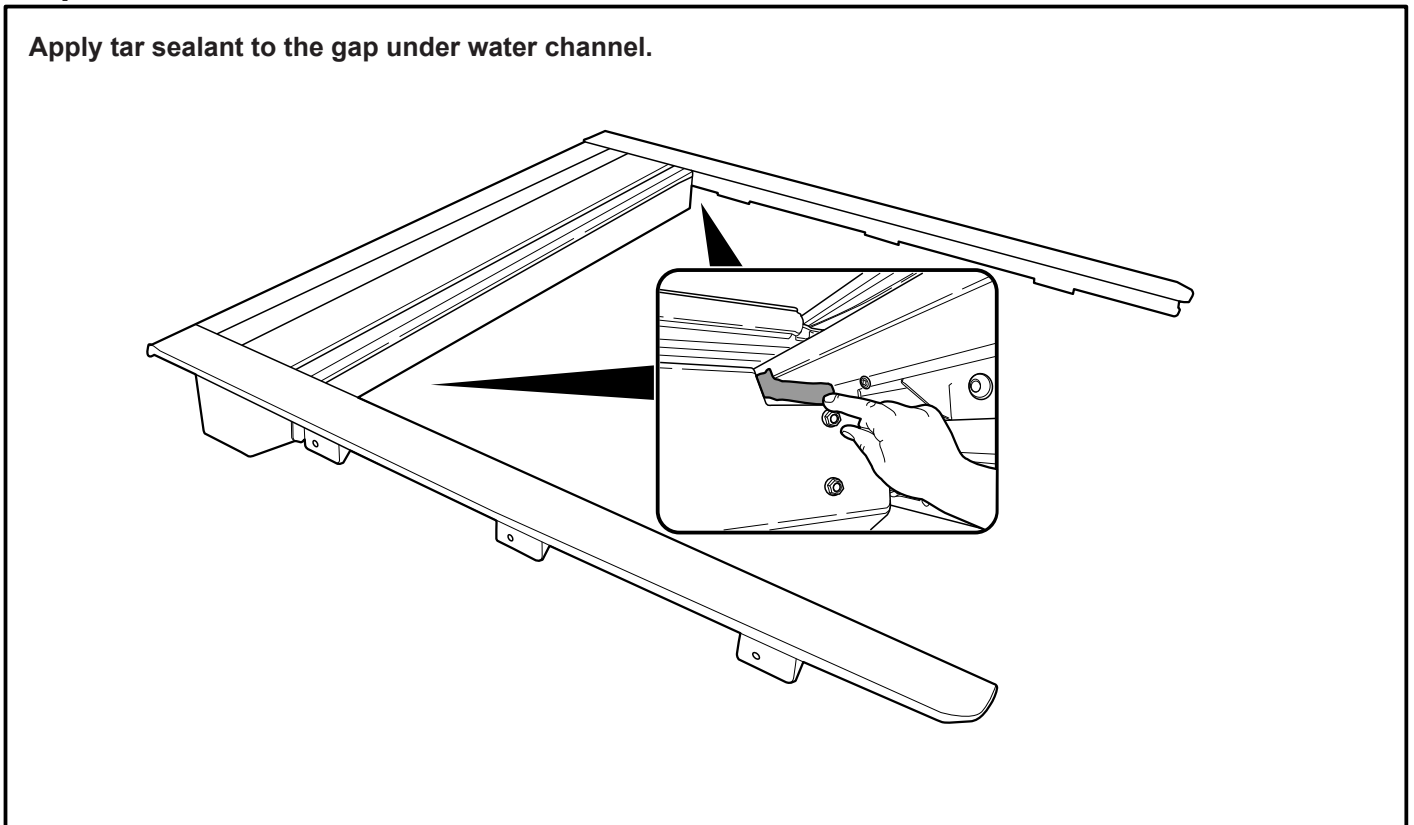


– Step 11



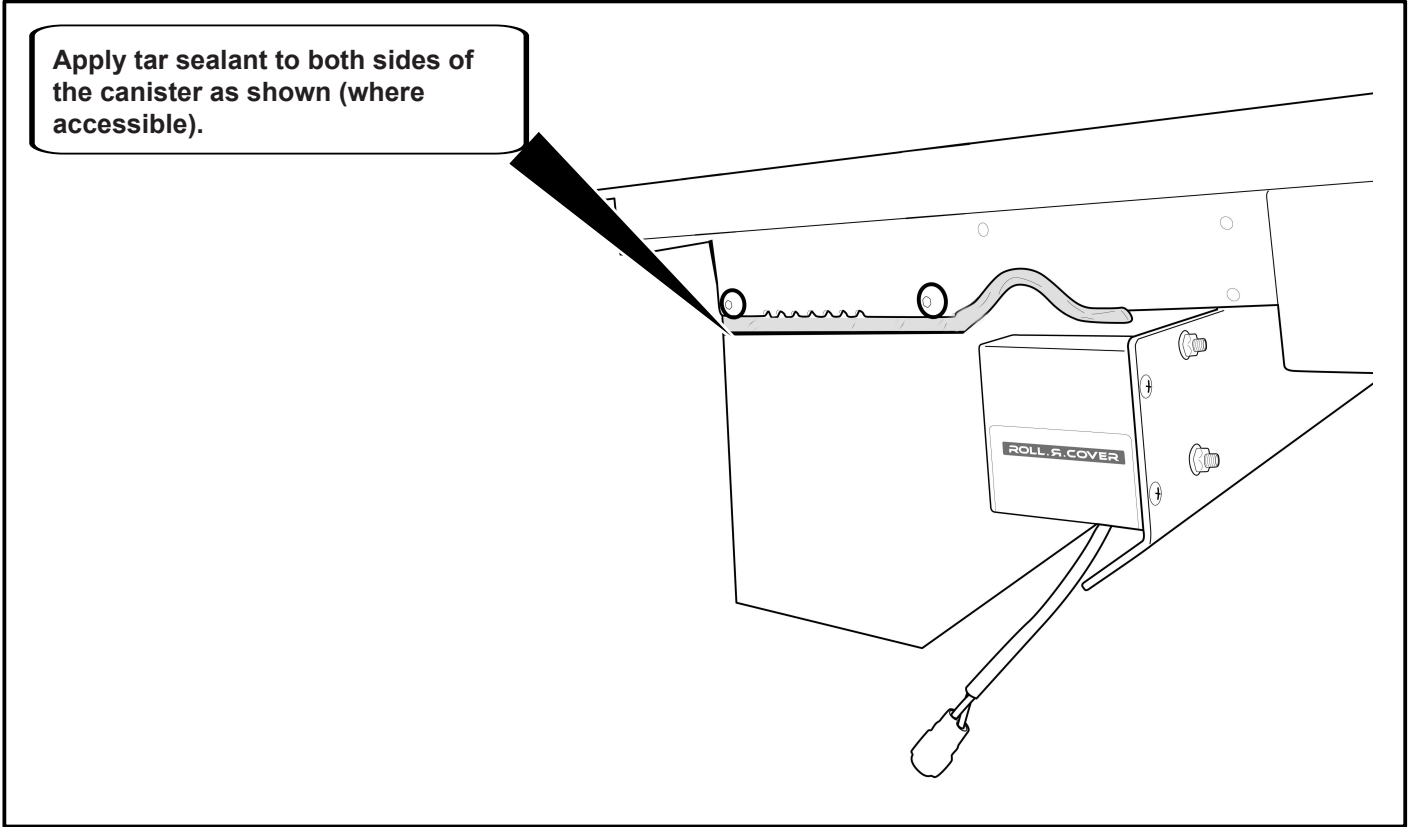
– Step 12

Apply tar sealant to the gap under water channel.

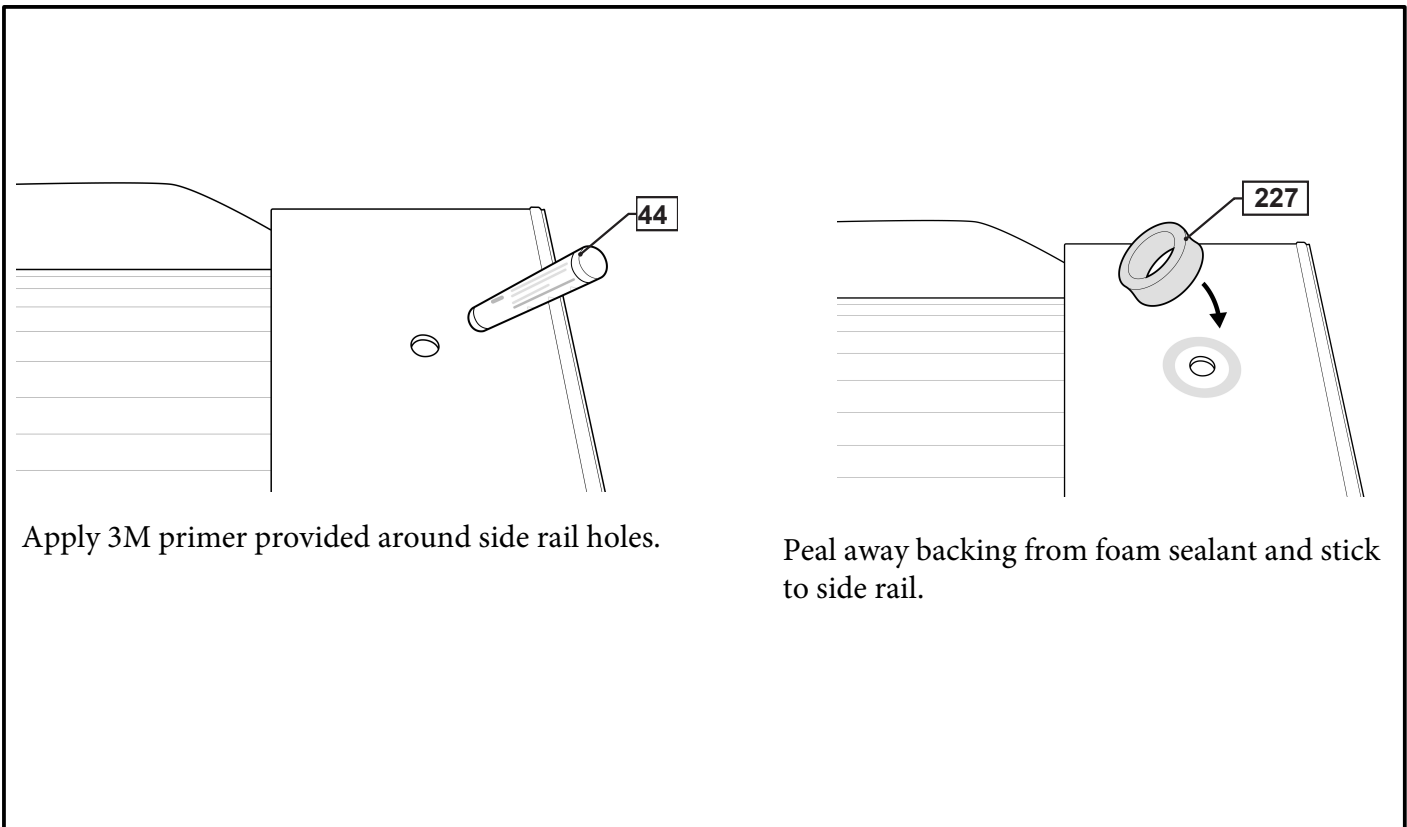


– Step 13

Apply tar sealant to both sides of the canister as shown (where accessible).



– Step 14

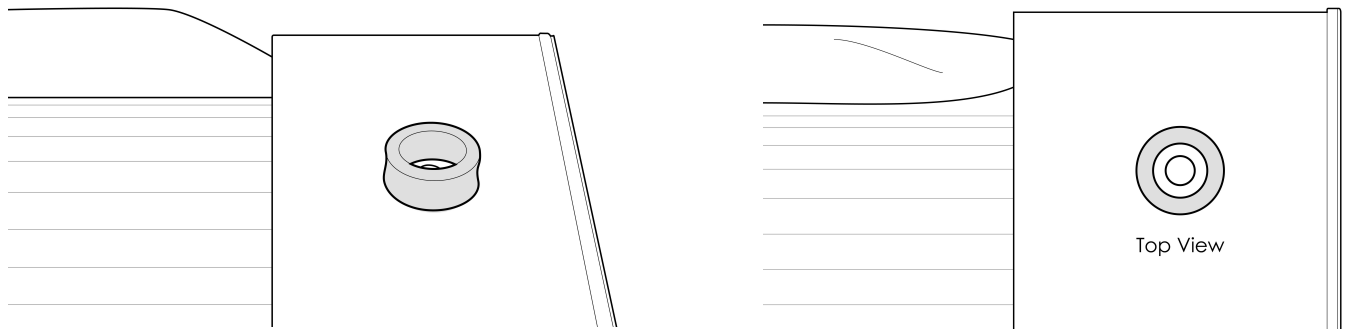


Apply 3M primer provided around side rail holes.

Peel away backing from foam sealant and stick to side rail.

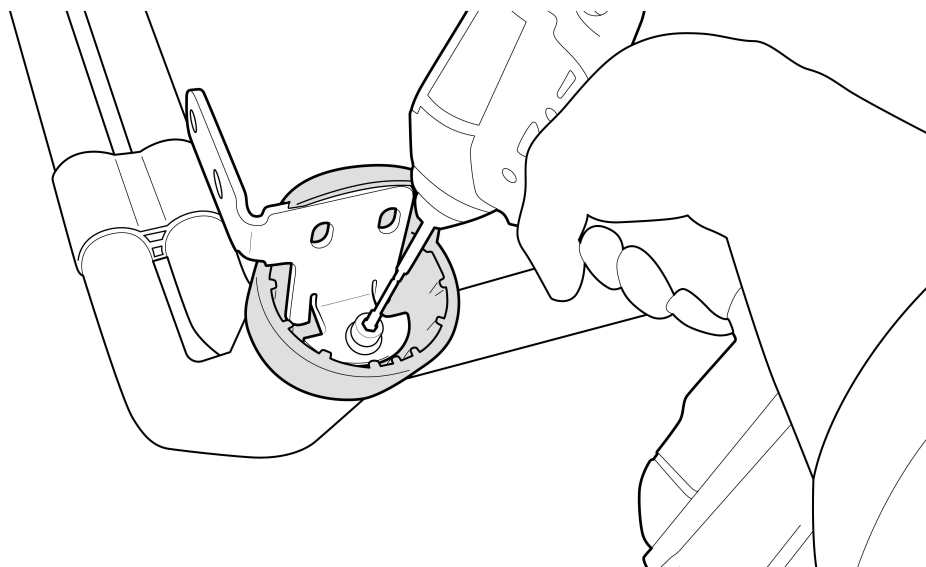
– Step 15

Repeat on all holes.



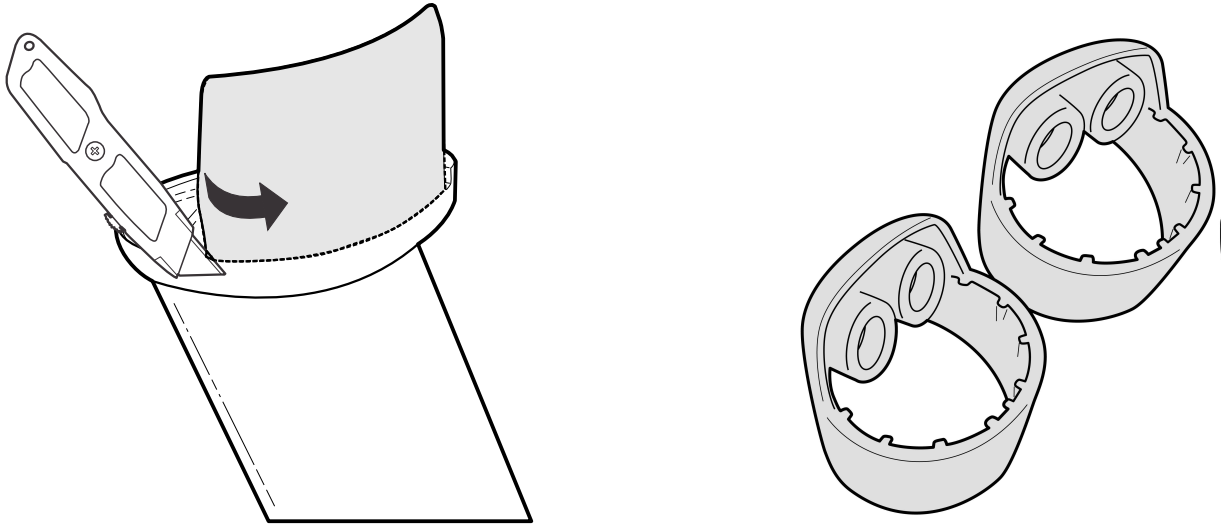
– Step 16

Remove all factory brackets from sports bars. Repeat on all four legs.



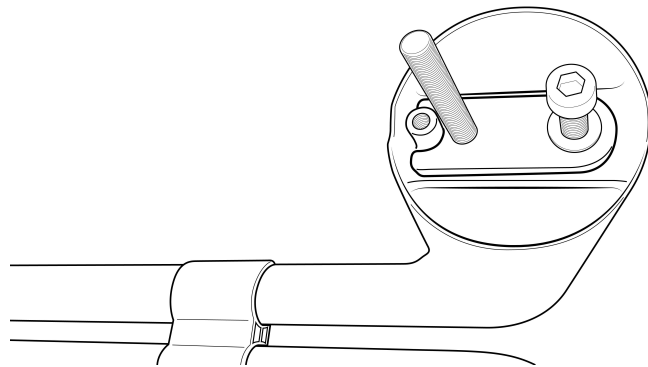
—Step 17—

Trim rubber feet cup excess so the base is left flat. Repeat on all four legs.



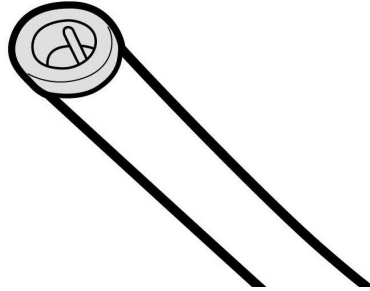
—Step 18—

Fit Sports bar brackets using factory bolts



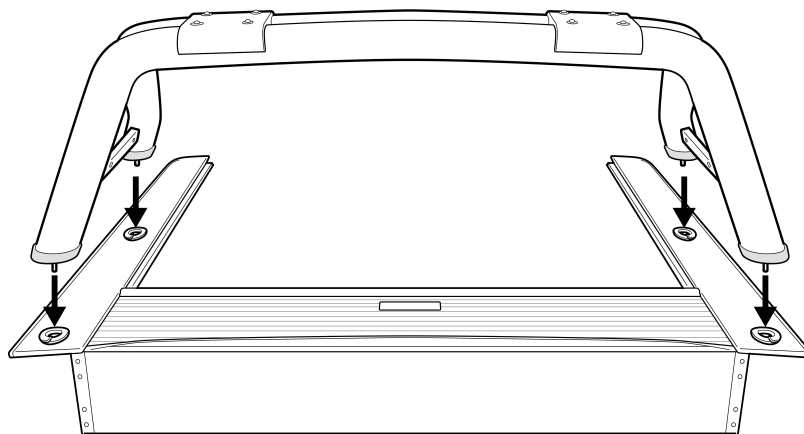
— Step 19 —

Place previously trimmed rubber cups back on the sports bars.



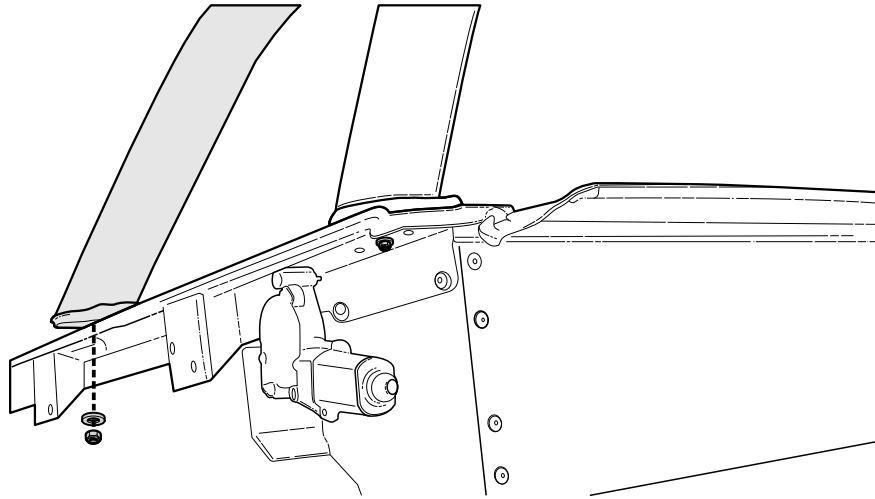
— Step 20 —

Place Sportsbar on Roll R cover



– Step 21

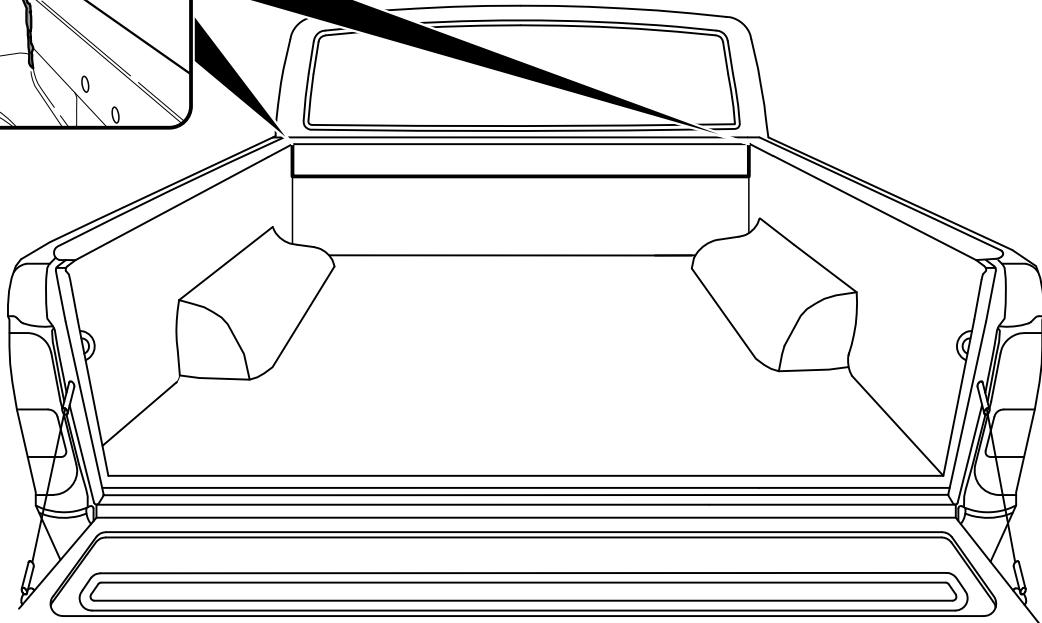
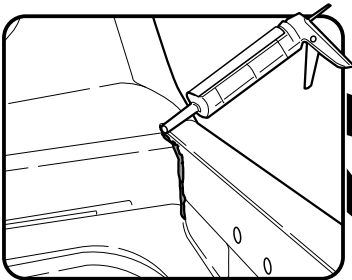
Place flat washer and tighten with the nylock nut provided. Repeat on all four legs.



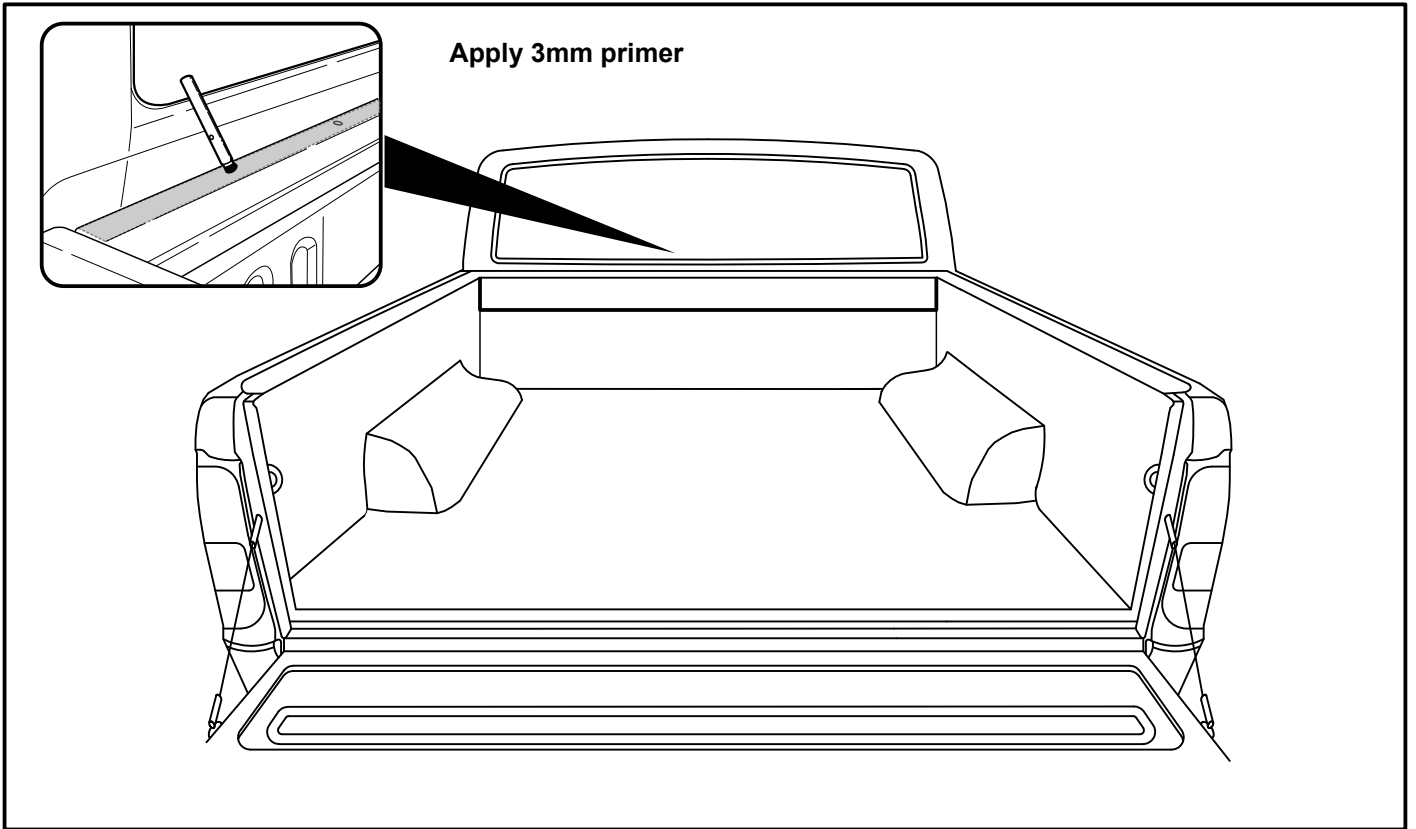
Note - Do not overtighten

– Step 22

Seal any exposed gaps.

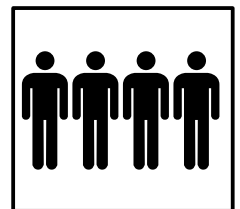
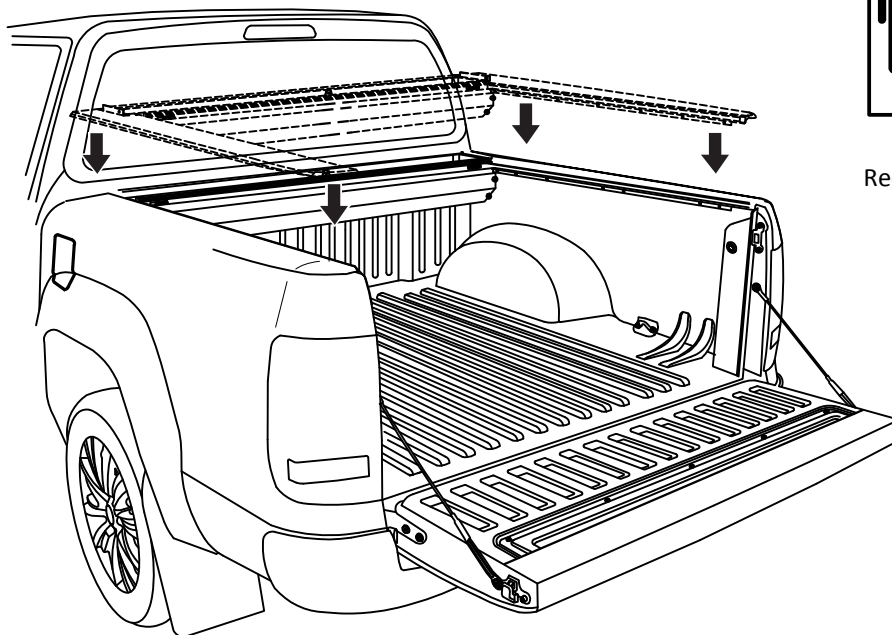


– Step 23



– Step 24

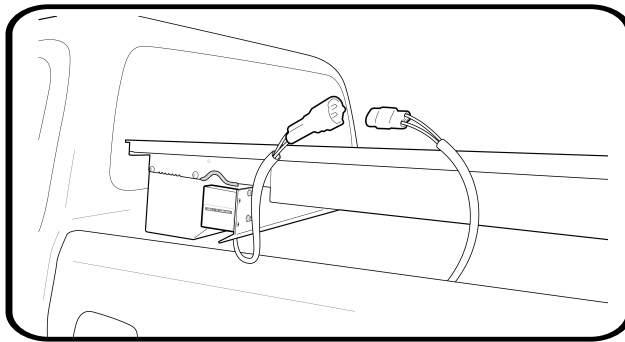
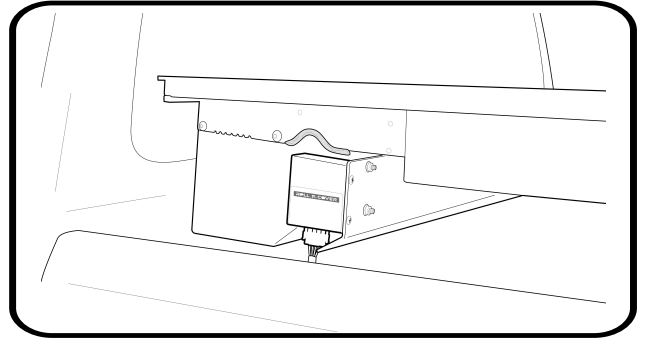
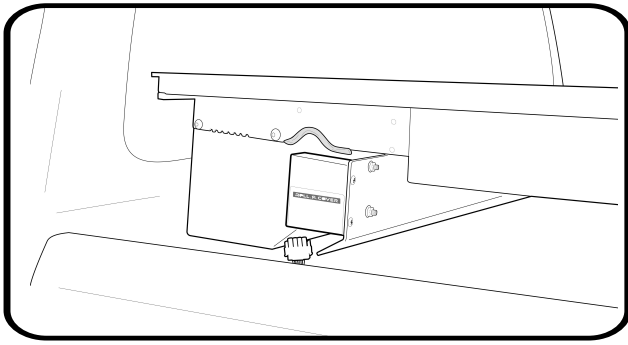
Installing the Roll-R-Cover



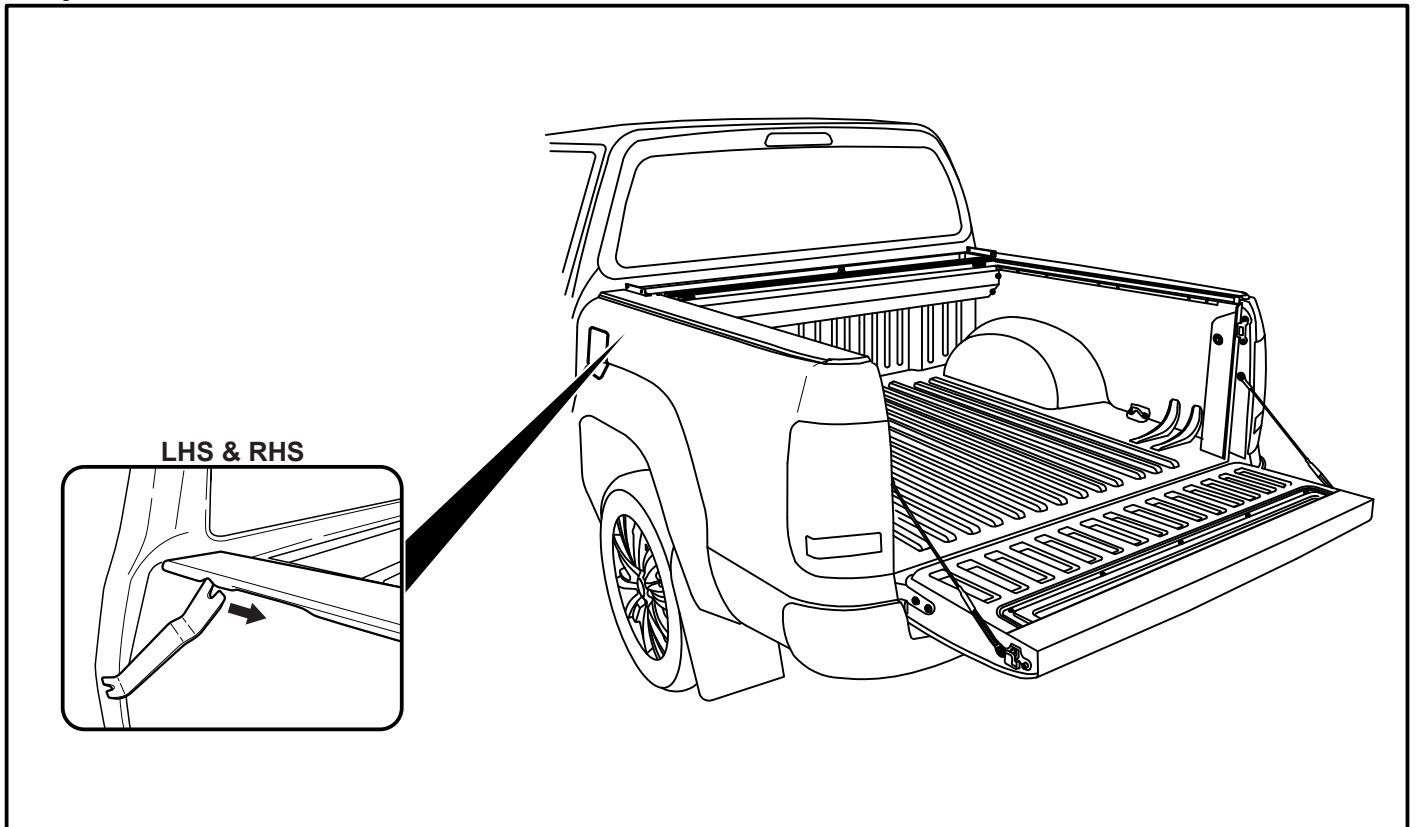
4 People
Recommended for lift

– Step 25

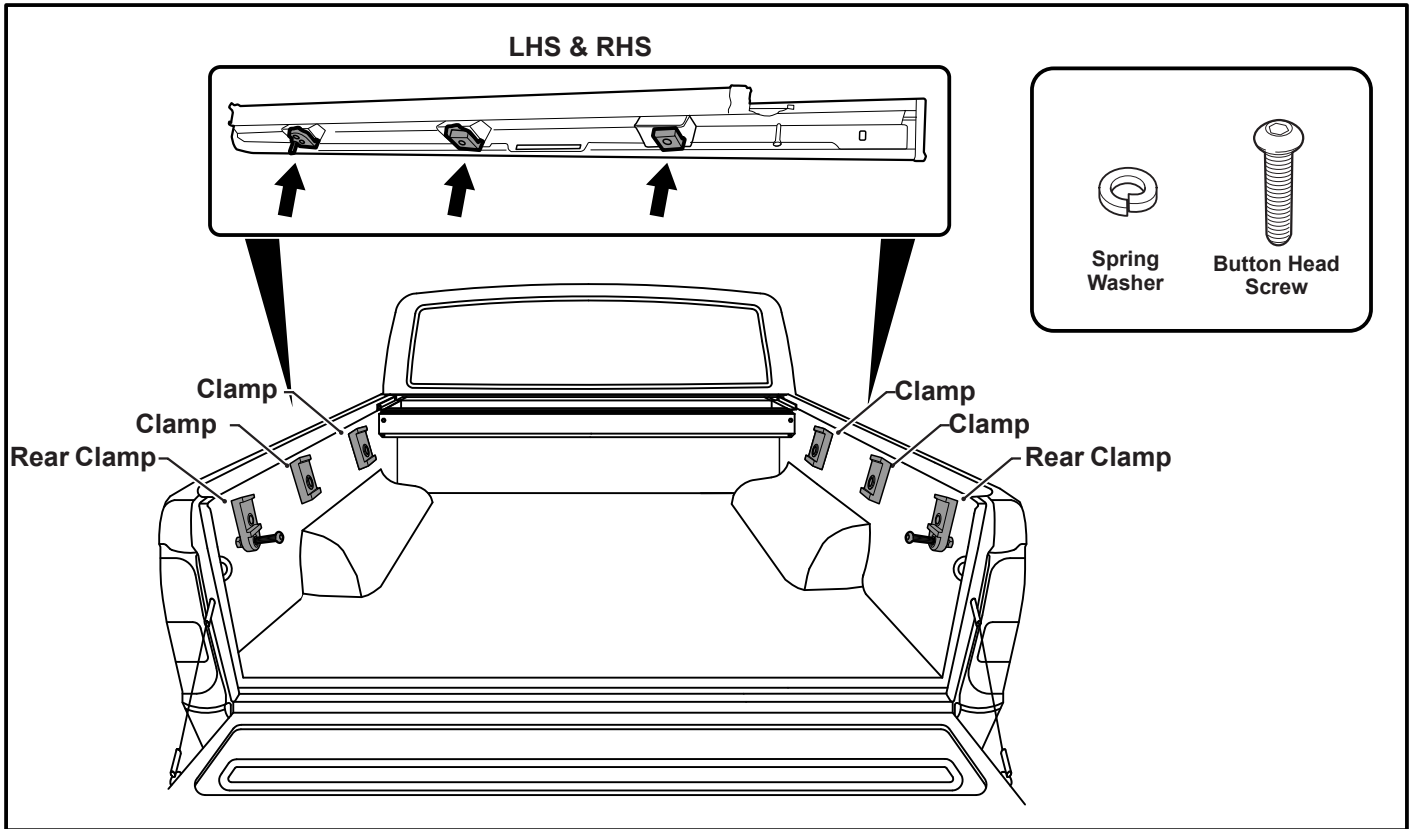
Before dropping the Roll R cover into place on the tub, connect all relevant connections or plugs to the receiver and motor plug connection.



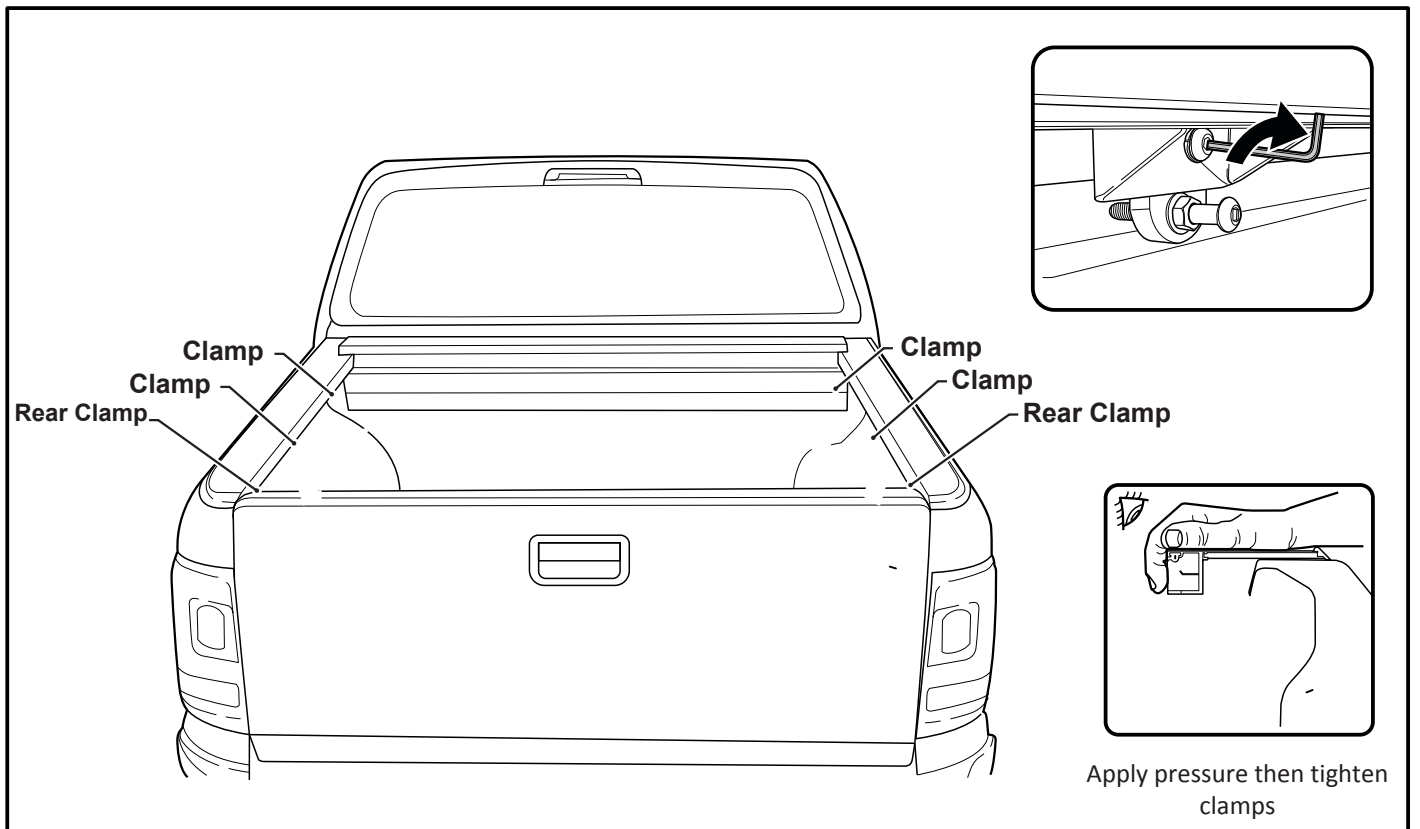
– Step 26



— Step 27 —

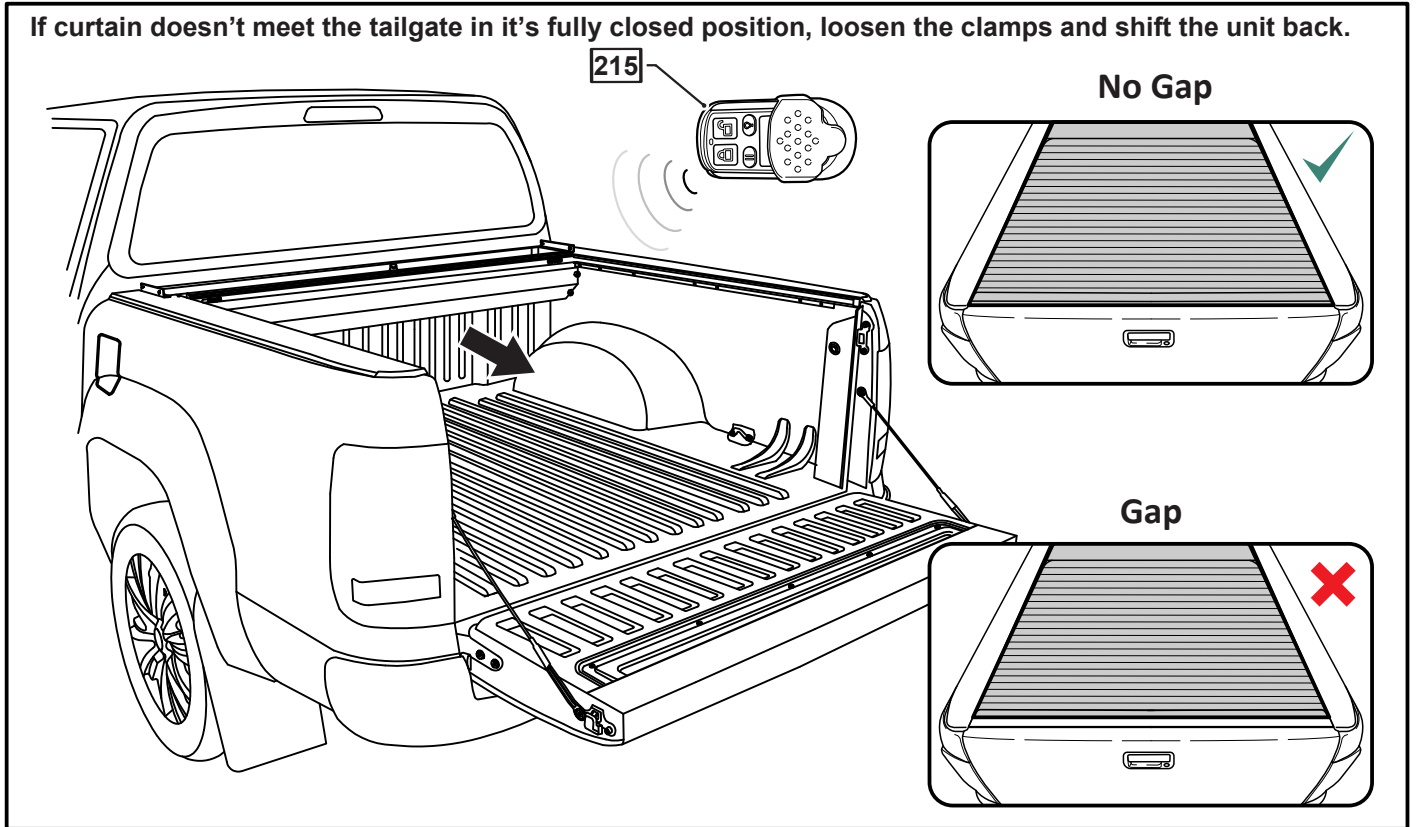


— Step 28 —

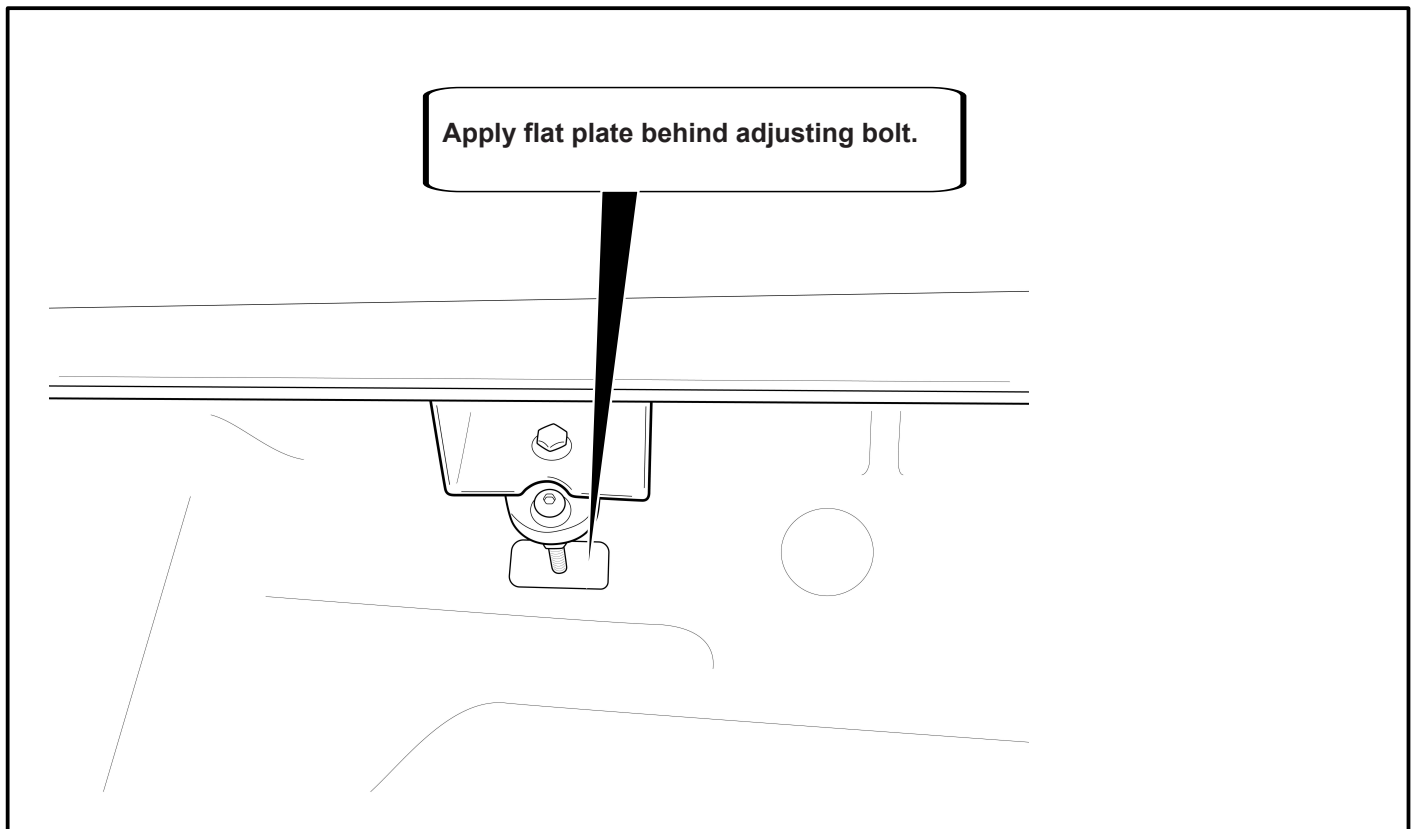


– Step 29

If curtain doesn't meet the tailgate in it's fully closed position, loosen the clamps and shift the unit back.

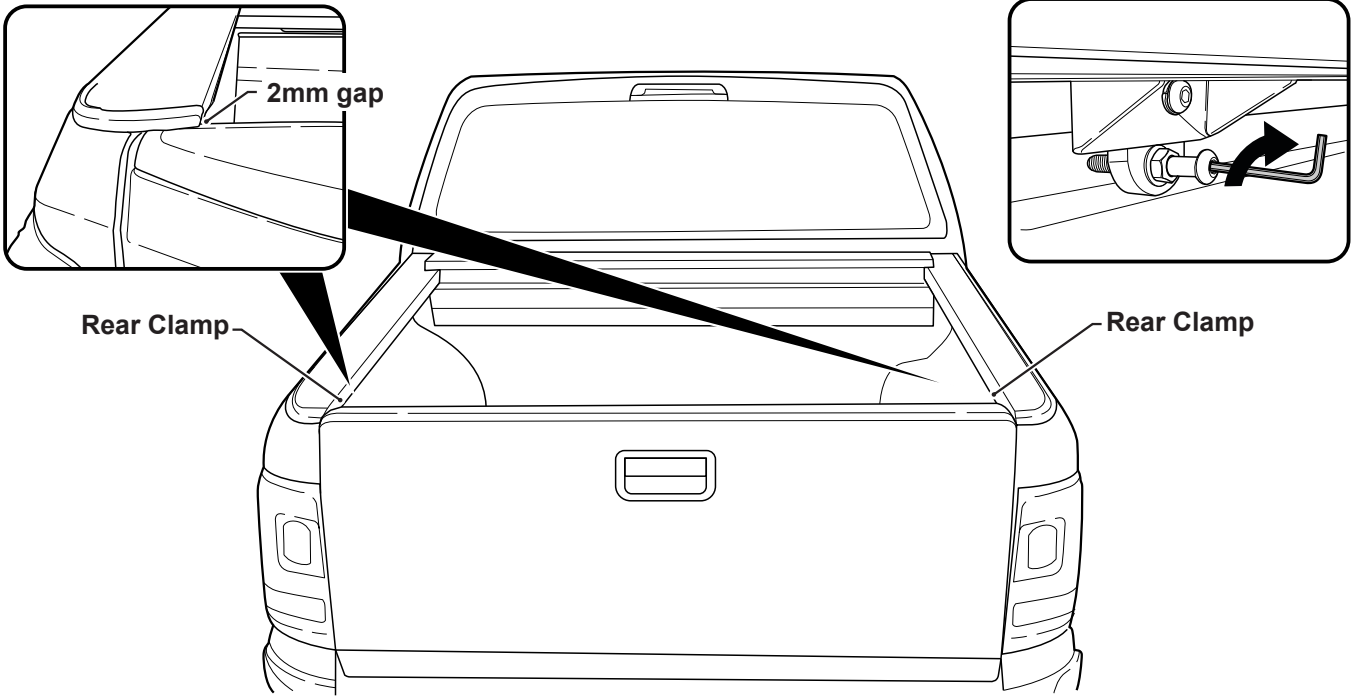


– Step 30



— Step 31 —

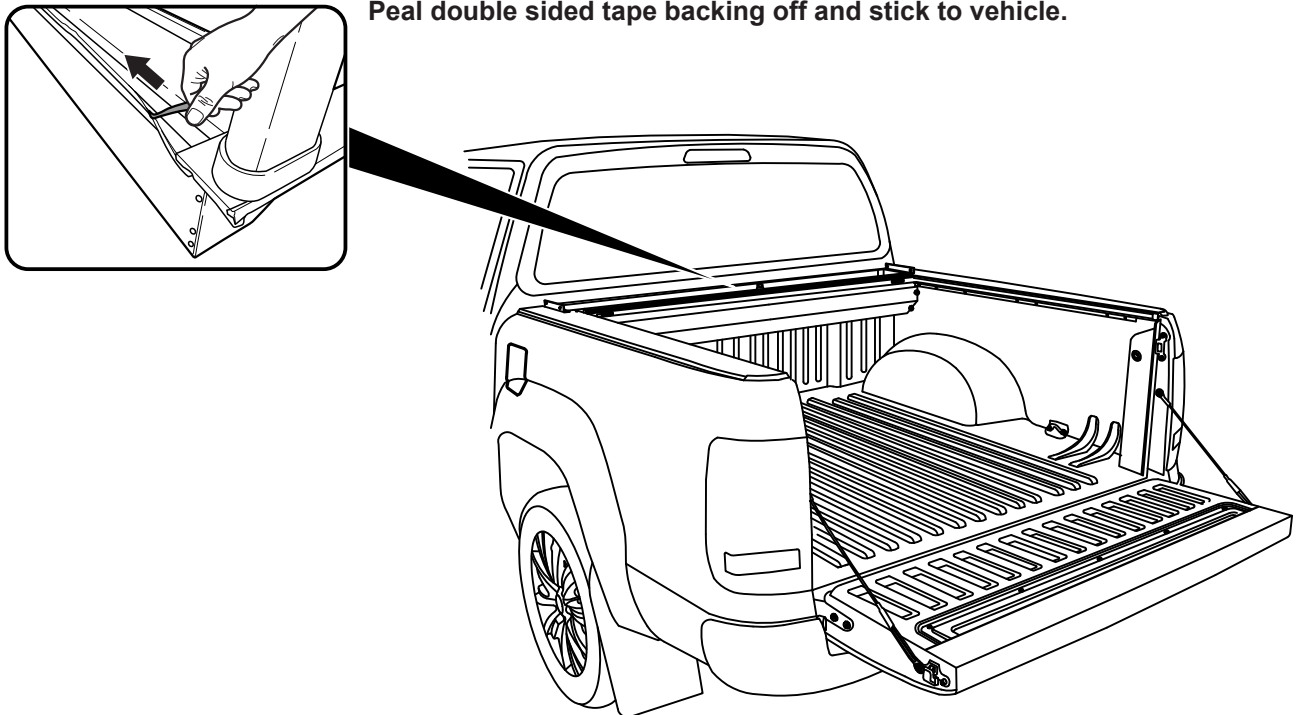
Side rail rubber must have a 2mm gap from the top of the tailgate in the closed position.



Rear clamp has an adjustment bolt. Drive the bolt in to lift the rear of the side rail till it clears the tailgate.

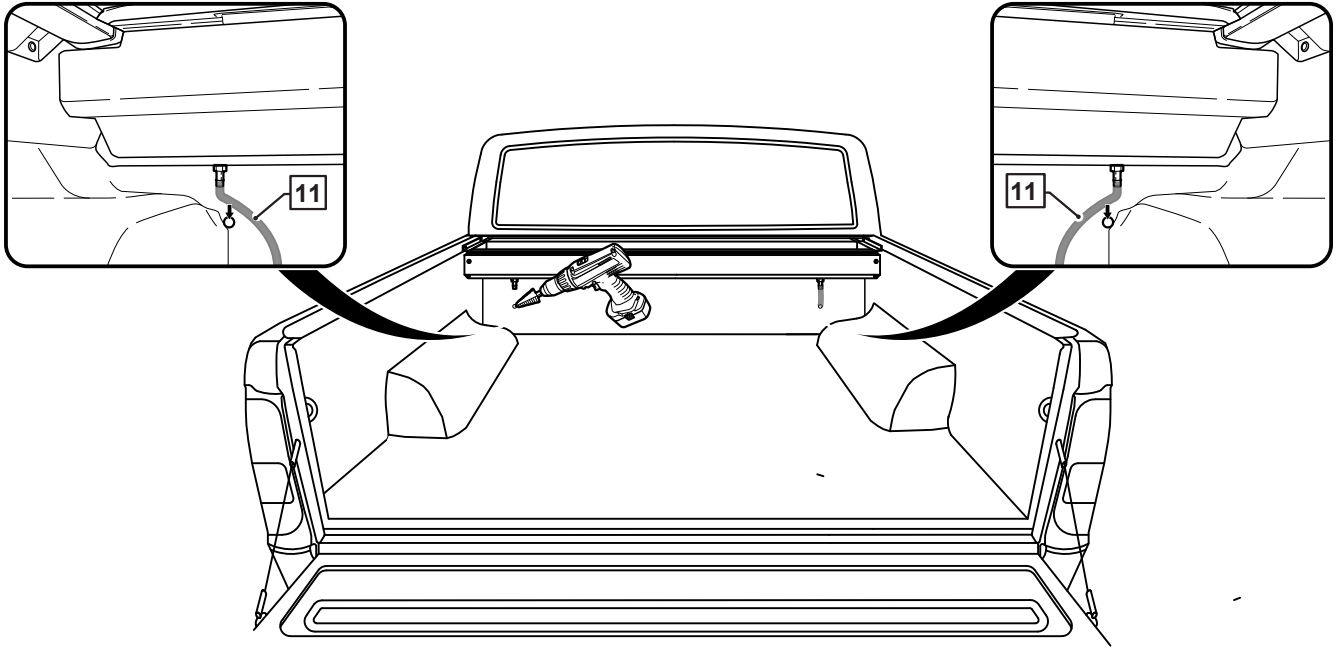
— Step 32 —

Peel double sided tape backing off and stick to vehicle.



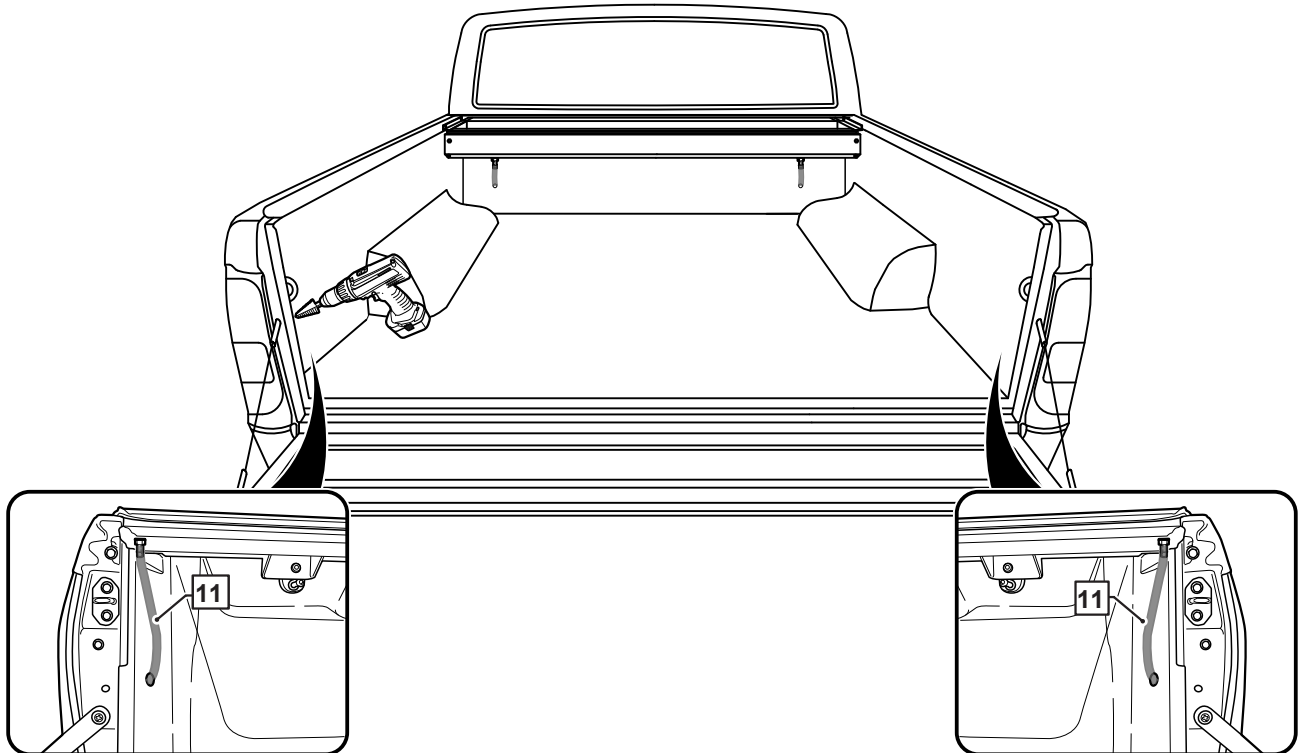
— Step 33 —

Drill through bed and liner (check for obstructions).



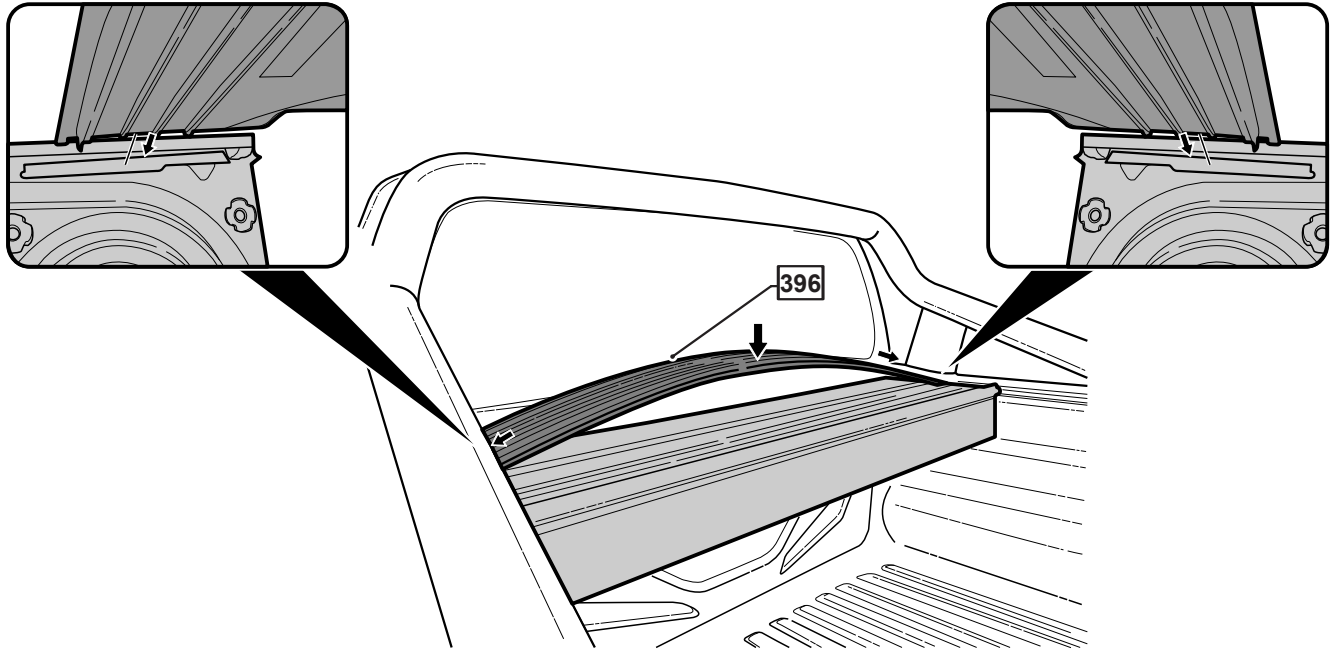
— Step 34 —

Remove the tail light to check for obstructions before drilling



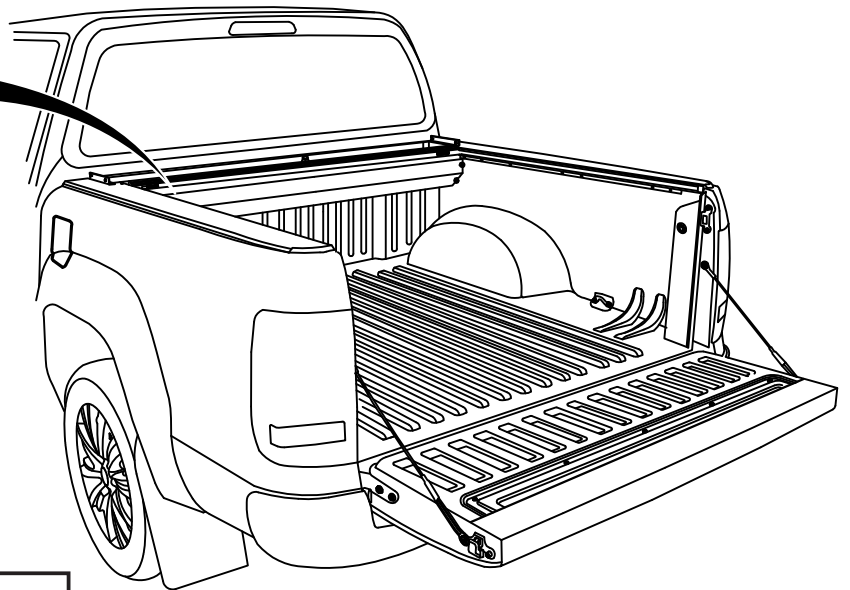
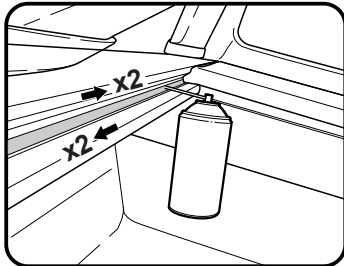
— Step 35 —

Snap fit the top cover.



— Step 36 —

LHS & RHS

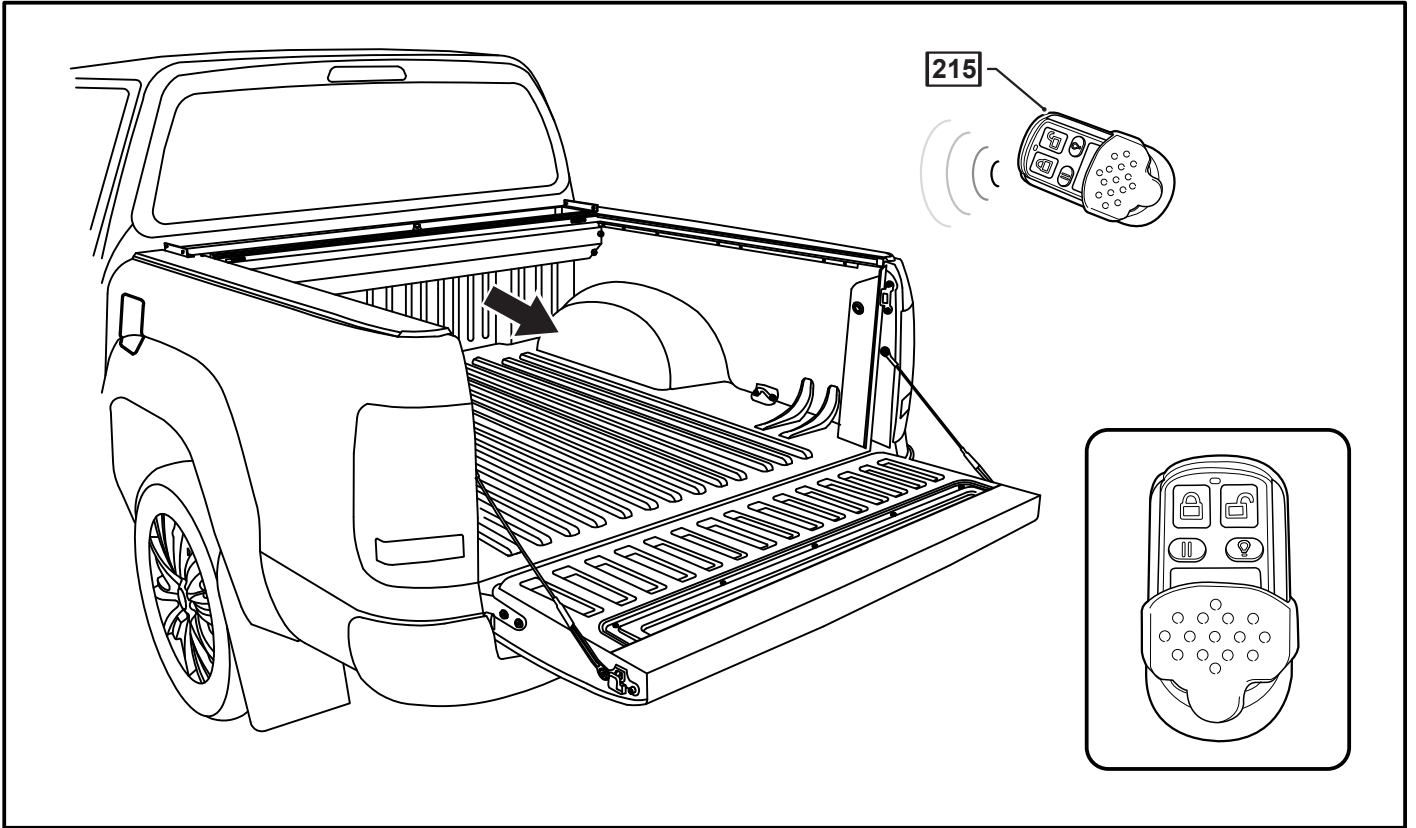


Important



Tracks need to be lubricated regularly

– Step 37



Important



You may open tailgate when Roll R Cover is in closed position, however you **MUST NOT** close the tailgate when Roll R Cover curtain is in the fully closed position.

WARNINGS!

www.hsputelids.com

 NO STANDING	 ENSURE LOAD IS SECURE	 CHECK GLIDES OIL REGULARLY	 6Nm CHECK CLAMPS AND TIGHTEN	 DO NOT PLACE LOAD ON COVER	 CHECK DRAIN CLEAN CANISTER	 MECHANICAL HAZARD	 NO PEOPLE OR ANIMALS UNDER ROLL TOP
------------------------	--	---	---	---	---	----------------------------------	--

E. & O.E. This document is copyright and must not be used except as permitted below or under the Copyright Act 1968. You may reproduce and publish this document in whole or in part for your or your organisation's own personal or internal compliance, educational or non-commercial purposes. You must not alter or amend this document in any way. You must not reproduce or publish this document for commercial gain without the prior written consent of the copyright owner.