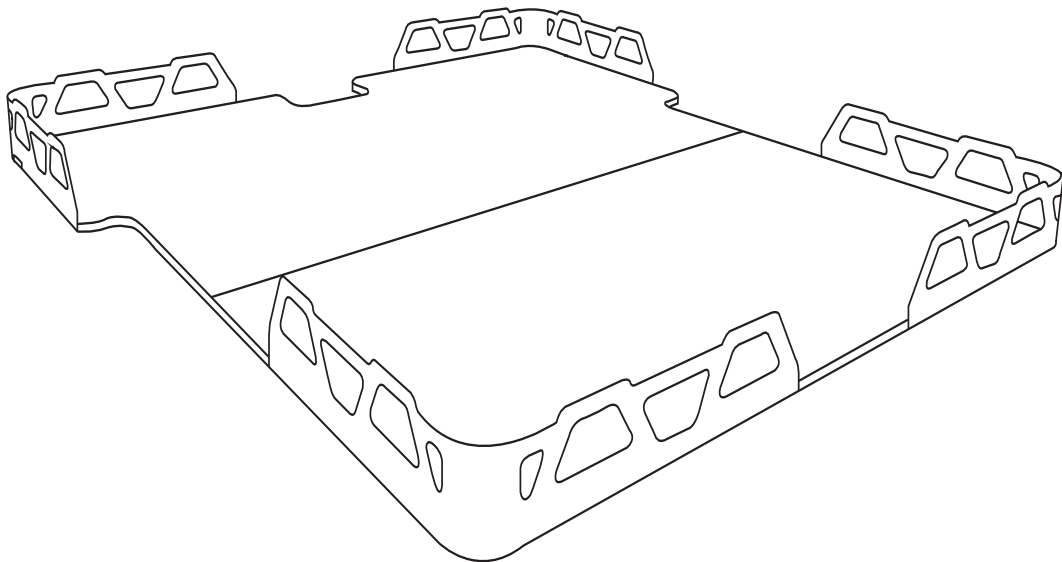
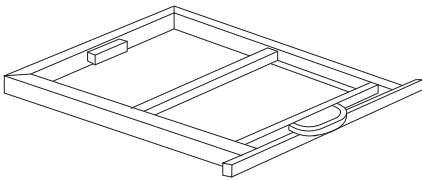
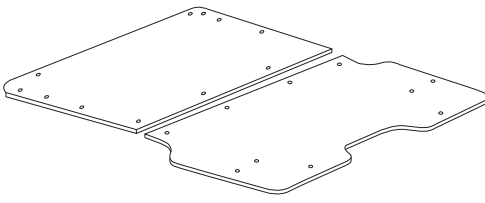

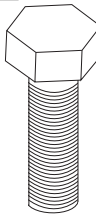

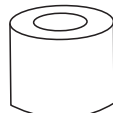



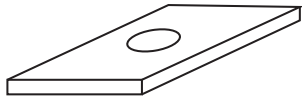


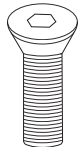
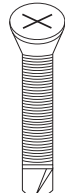



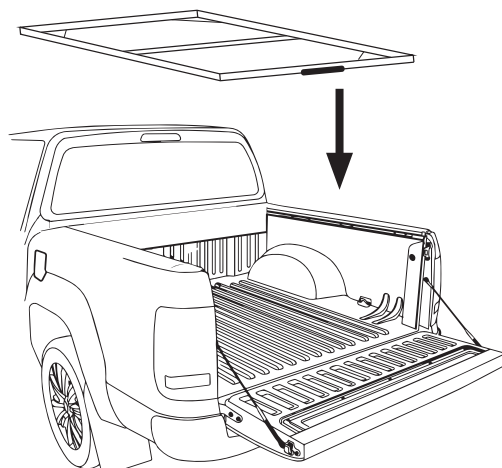


# LOAD SLIDE

## INSTALLATION INSTRUCTIONS

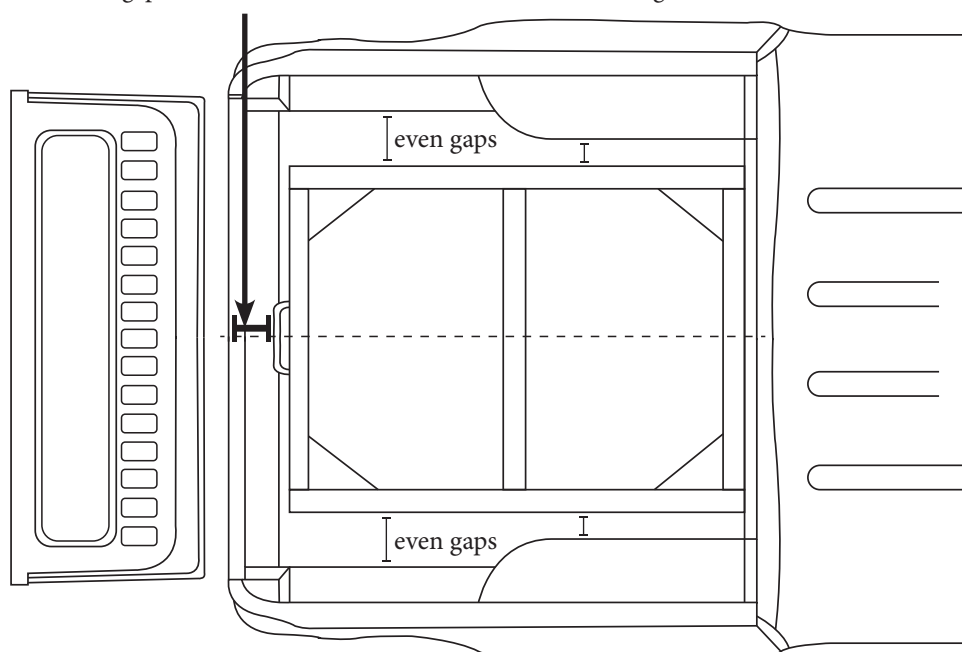


<b>A</b>  1X	<b>B</b>  1X	<b>C</b>  4X				
<b>D</b>  4X	<b>E</b>  4X	<b>F</b>  2X	<b>G</b>  4X	<b>H</b>  4X	<b>I</b>  4X	<b>J</b>  4X
<b>K</b>  16X	<b>L</b>  16X	<b>M</b>  16X	<b>N</b>  20X	 AUSTRALIAN MADE   AUSTRALIAN OWNED   AUSTRALIAN SOURCED		



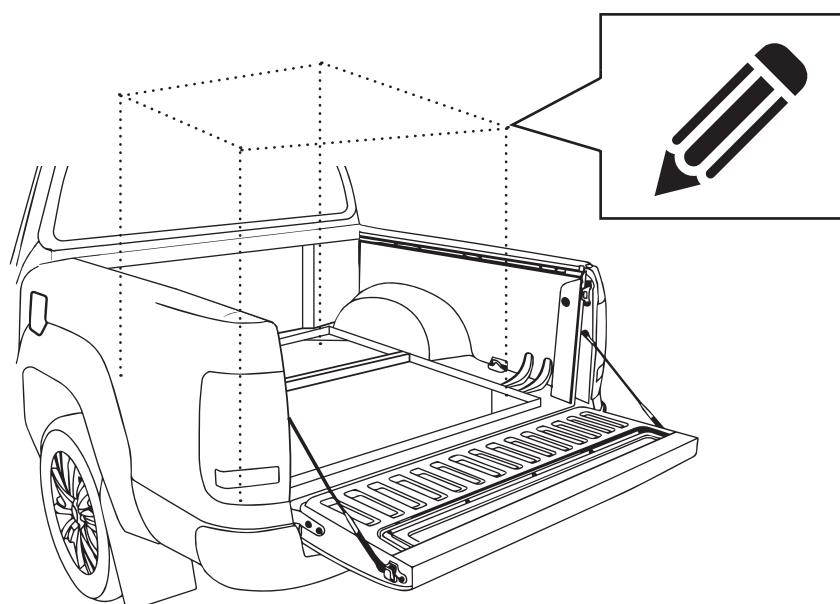
**1**

Ensure there is a clearance gap of between 5-10mm from the handle to the tailgate.



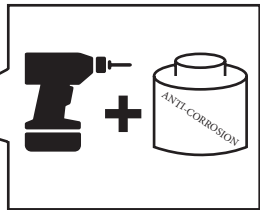
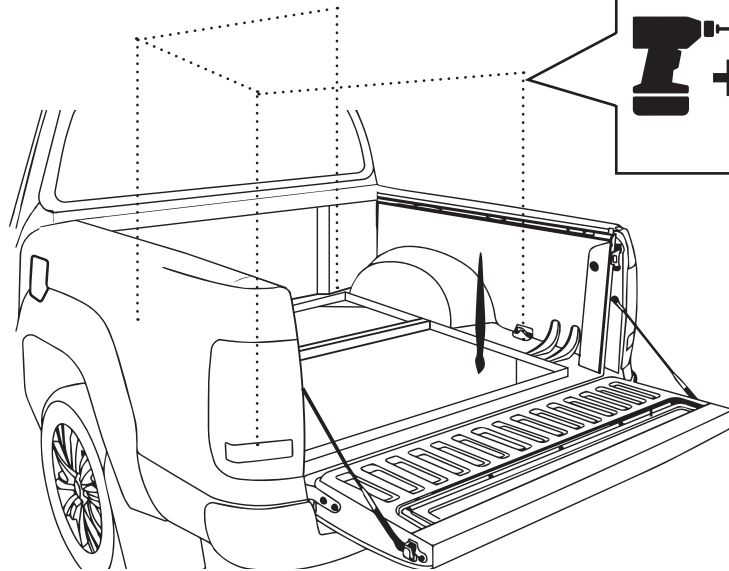
**2**

Centre the frame in the middle of the tub allowing even gaps between wheel arches.



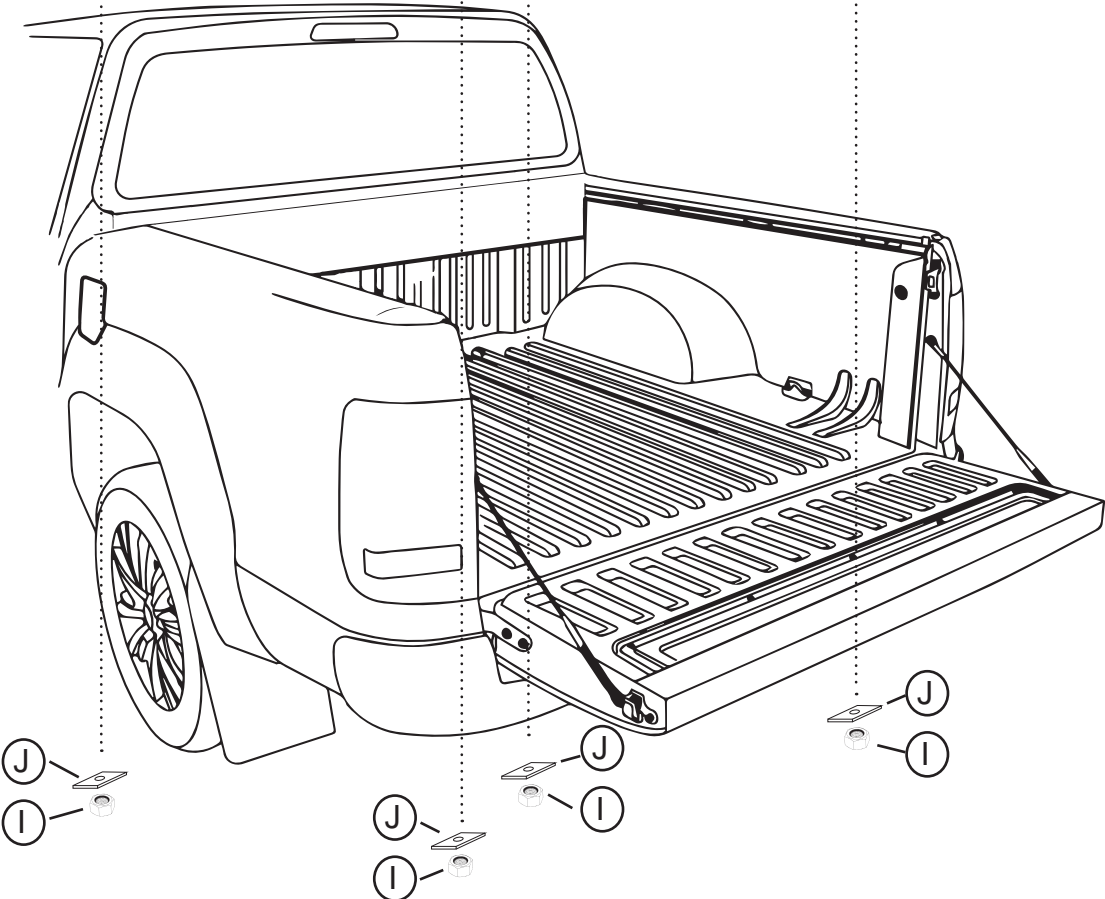
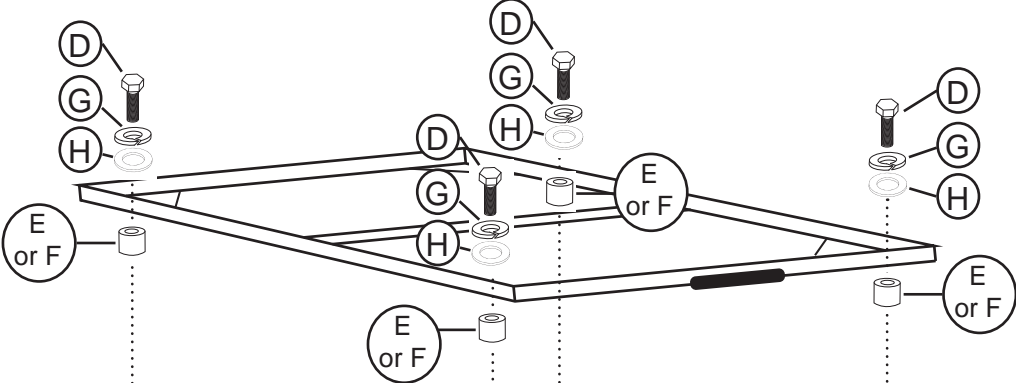
**3**

Mark and pick relevant drill holes.



**CAUTION:** Before drilling, check to ensure no important or hazardous items are positioned beneath the drill points such as spare tyre, fuel lines/tank or wiring.

**4**

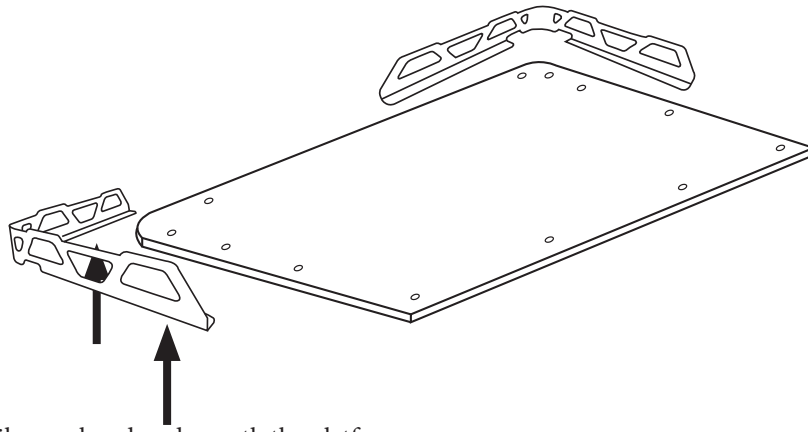


**5**

Ensure the spacers are placed underneath the frame. Pick relevant spacer according to fitting.



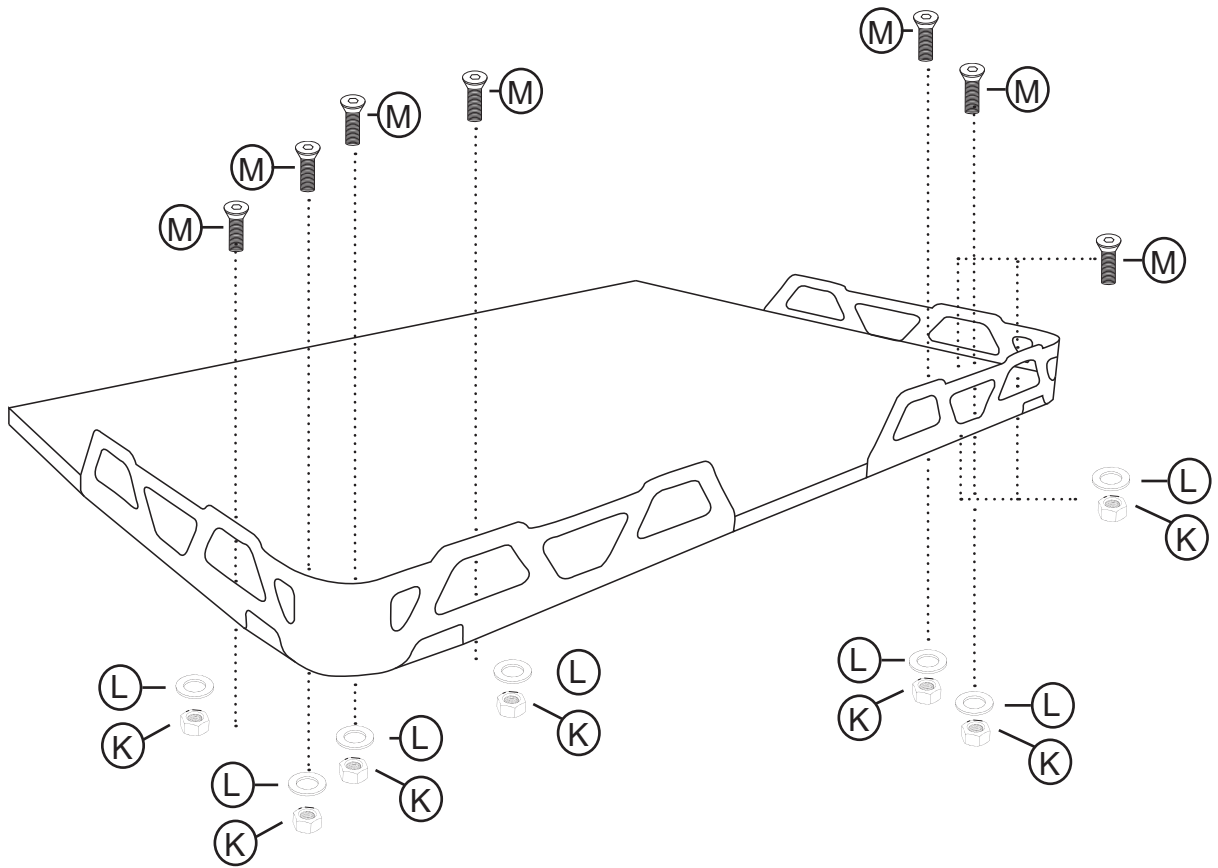
Item I, M10 nylock nut, to be installed last. **Warning** do not install together with item J.



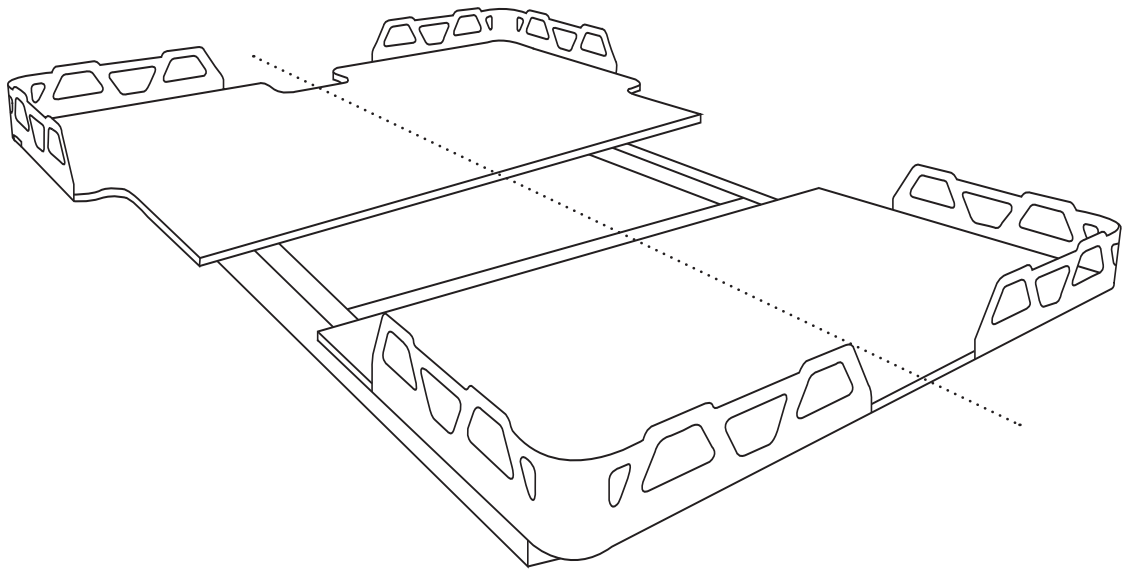
6

Ensure side-rails are placed underneath the platform.

\*REPEAT THIS PROCESS FOR THE FRONT PLATFORM.



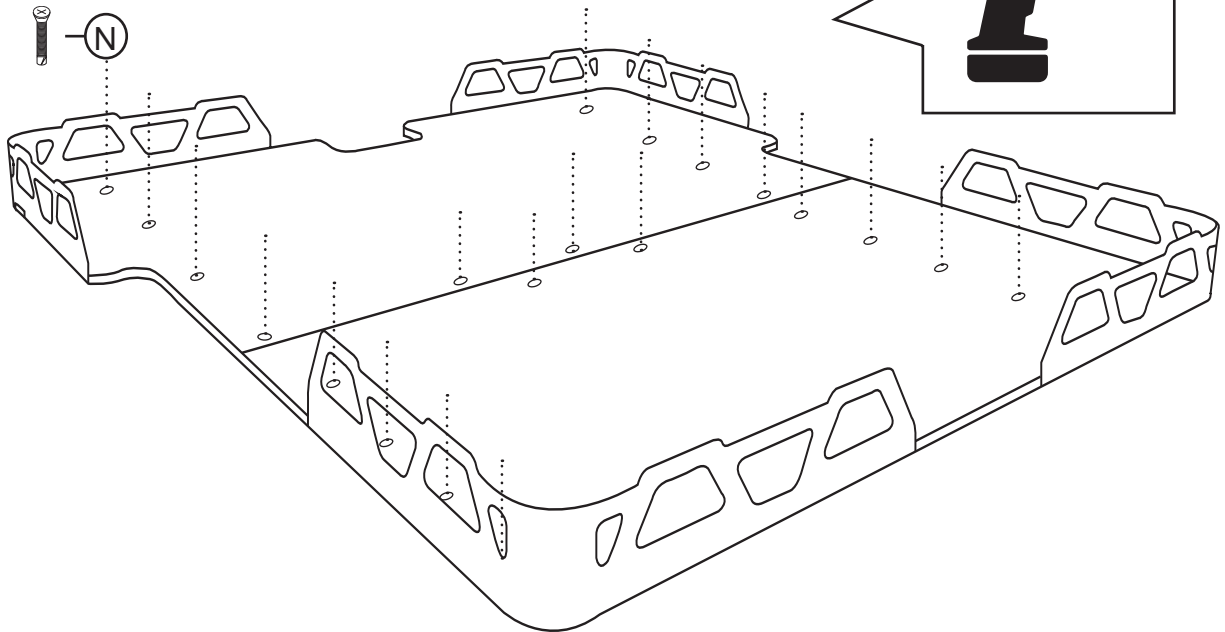
7



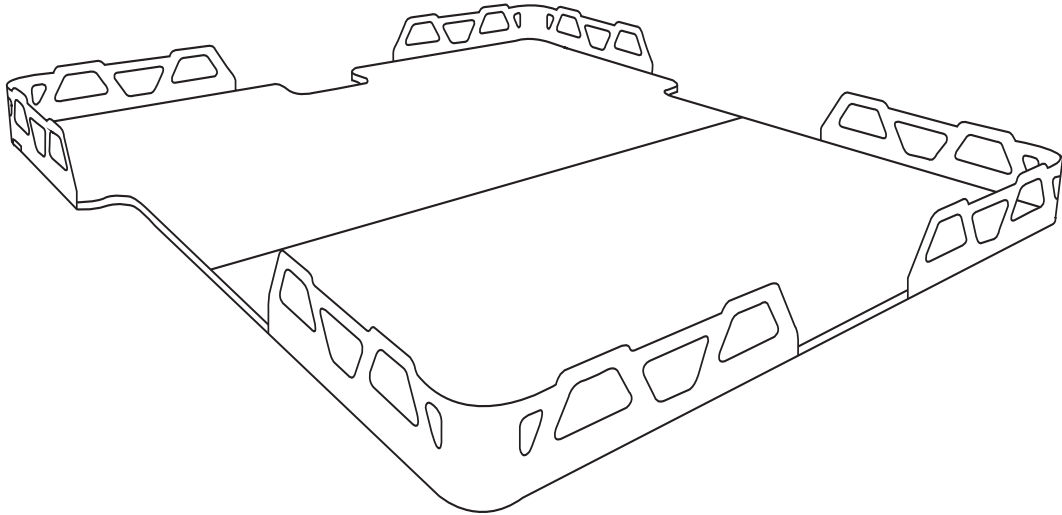
**8**

Centre the both platforms on the frame and ensure all gaps are even.

\* Add pilot holes to frame before fastening screws.



**9**



**WARNINGS!**

AUSTRALIAN MADE AUSTRALIAN OWNED AUSTRALIAN SOURCED **LOAD SLIDE**

 <b>NO STANDING ON PLATFORM</b>	 <b>ENSURE LOAD IS SECURE</b>	 <b>MAX LOAD 250kg EVENLY DISPERSED LOAD</b>	 <b>DO "NOT" OVERTIGHTEN TIE DOWN STRAPS</b>	 <b>MECHANICAL HAZARD</b>
------------------------------------	----------------------------------	---	---	------------------------------

## MAINTENANCE

- Keep the vehicle tub clear of dirt and debris ensuring the smooth operation of the Load Slide.
- Regularly clean the roller track with a clean cloth for smooth operation.

HSP UTE LIDS PTY LTD

40 Overseas Drive, Noble Park North,  
Victoria, 3174

(03) 9795 8206

info@hsputelids.com



UNLOCK YOUR VEHICLES POTENTIAL