



WWW.HSPUTELIDS.COM

1300 441 498

Part No: Q12-1

Fitting Time: 30 mins



# Mitsubishi Triton MQ

Dampening action only

HSP TAIL ASSIST

---

FITTING INSTRUCTIONS

## —GENERAL NOTES

---

- Read through the fitting instructions prior to installation of accessory.
- Ensure all recyclable components and packaging are discarded and recycled following local recycling regulations.
- Safely store and protect any removed vehicle components.

## —SAFETY NOTES

---

- Check that all work practices comply with safety standards.
- Please wear appropriate clothing and use safety equipment.

## —FITTING TIME

---



30 mins

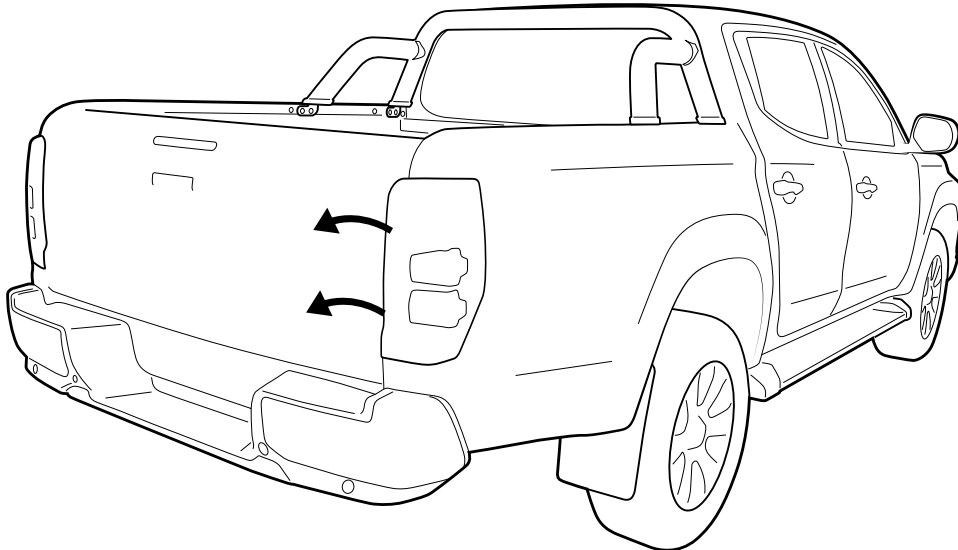
## —PARTS SUPPLIED

---

<b>PART NUMBER</b>	<b>PART DESCRIPTION</b>	<b>QUANTITY</b>
KSD-SPEC-1	Dampener strut	1
TA-07	Tub mount R/H	1
CB1	Tailgate Cable	2
TA-08	Tailgate mount R/H	1
	<b><u>NUTS AND BOLTS</u></b>	
47	M8 x 25mm Bolt	2
24	M8 thick washer	3
40	M8 Nyloc nut	2
	<b><u>OTHER</u></b>	
TR-320	Clear protection tape	1

## — STEP 1 —

Open tailgate, and remove the drivers side tail light assembly.

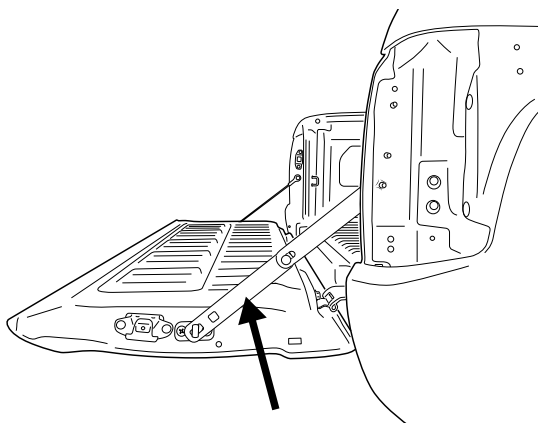


## — STEP 2 —

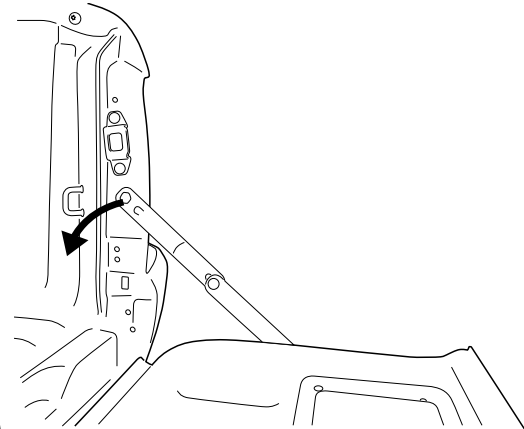
**If the ute tailgate is supported with a cable please move on top step 4**

1. If the ute is fitted with a steel hinge, it will need to be removed and discarded.
2. Retain the shoulder bolt, when removing the steel hinge.

1.

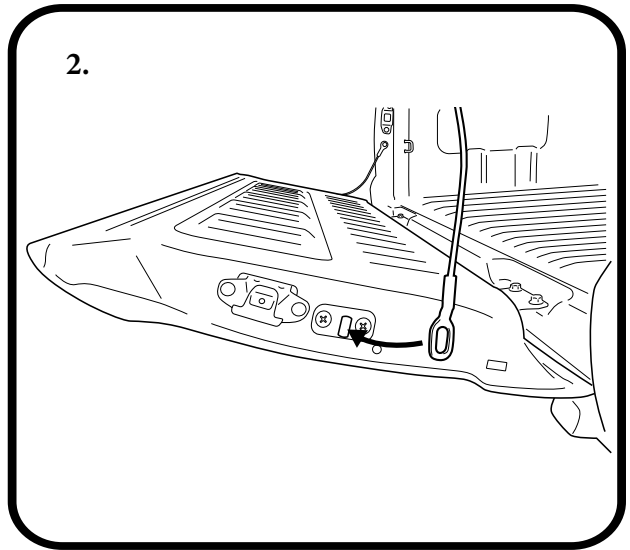
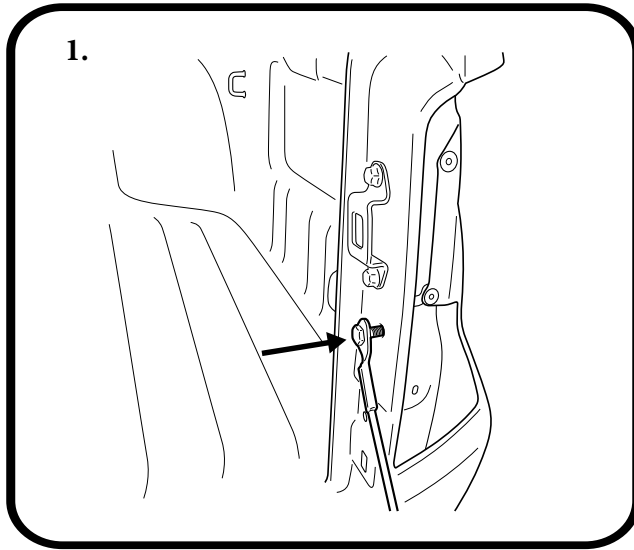


2.



— STEP 3 —

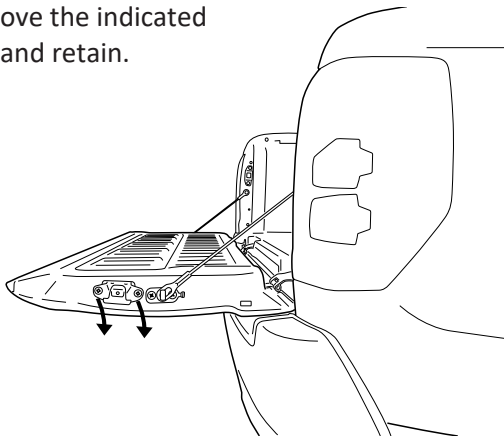
1. Using the retained shoulder bolt attach part number CB1, as indicated.
2. Hook the slotted end of the cable to the tailgate bracket as indicated.



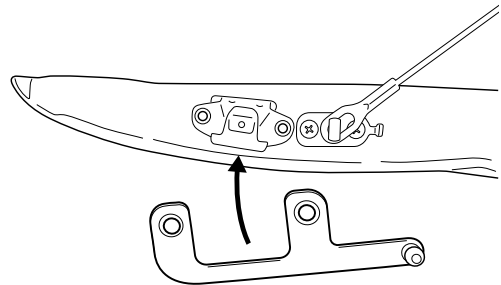
Now repeat the step on the passenger side.

— STEP 4 —

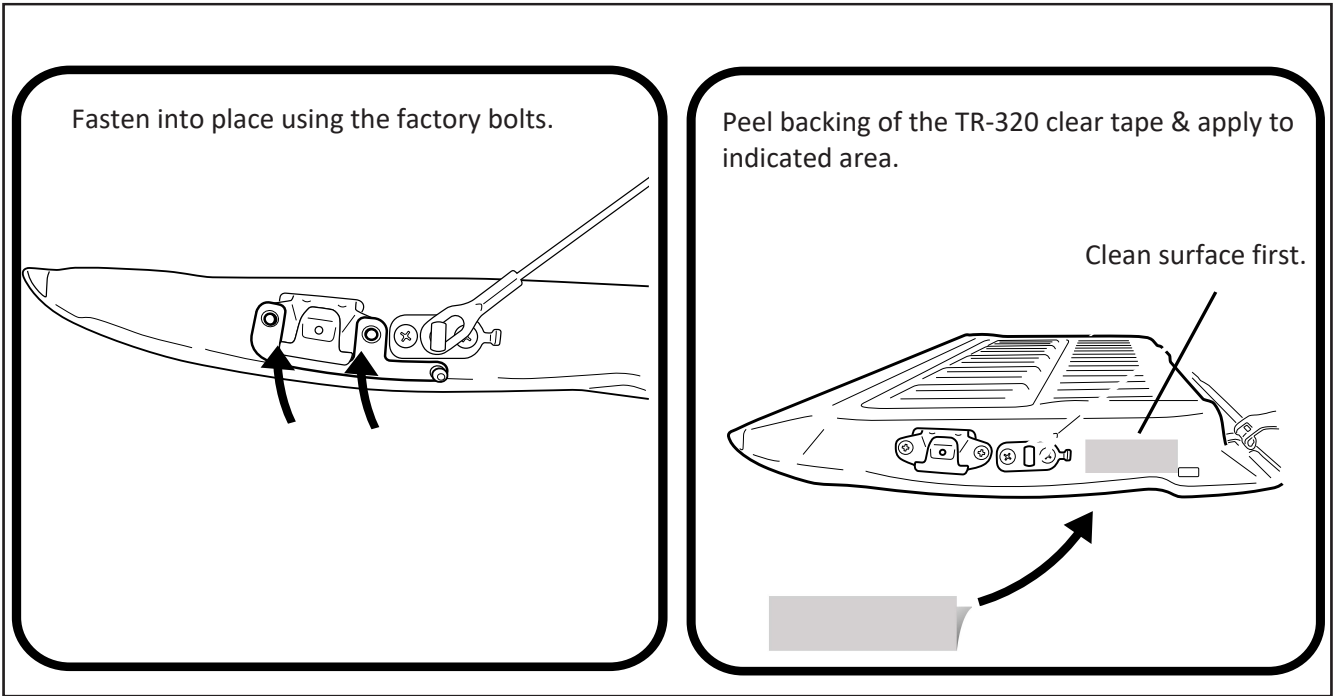
Remove the indicated bolt and retain.



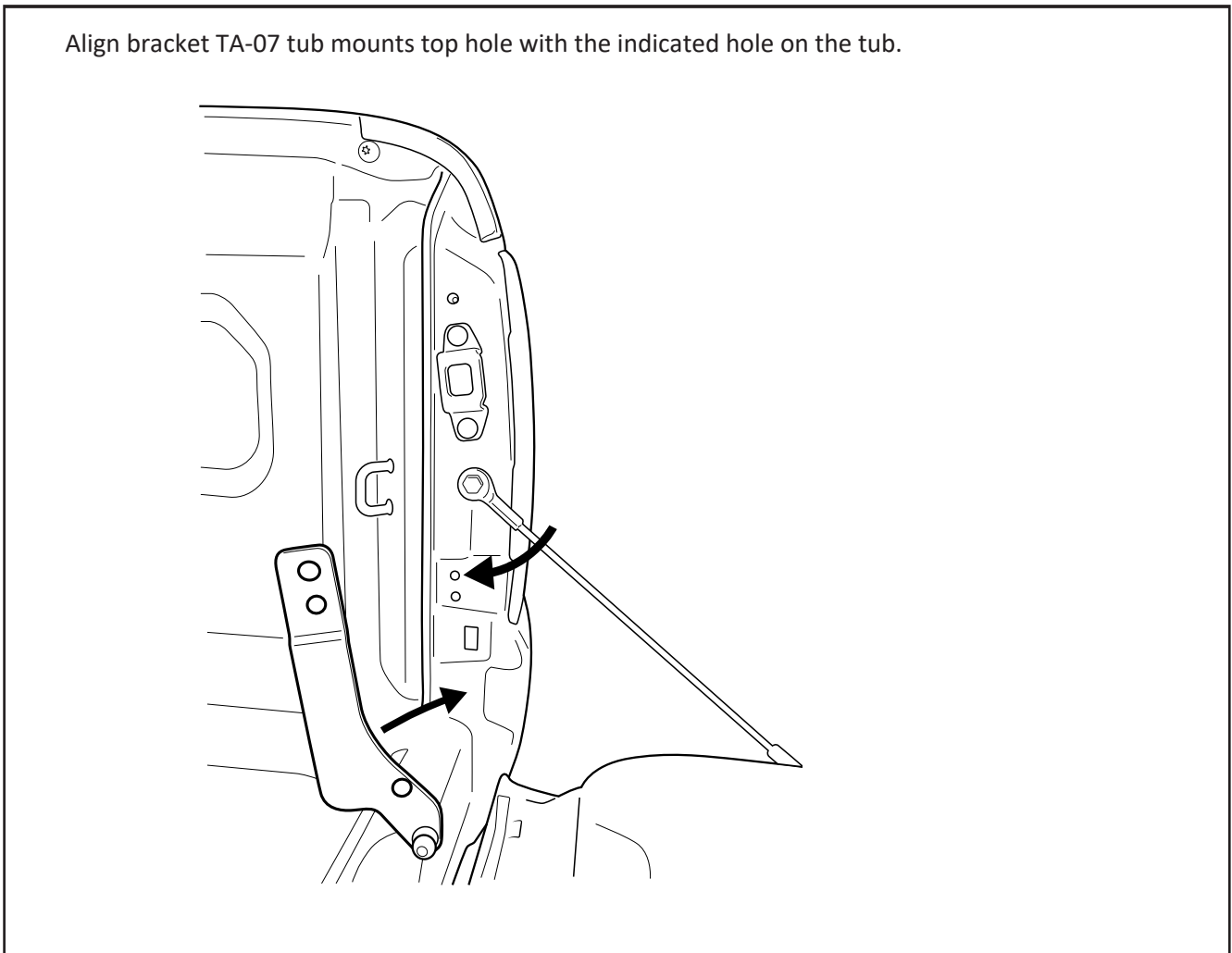
Place TA-08 tailgate r/h over the factory bracket



—STEP 5—

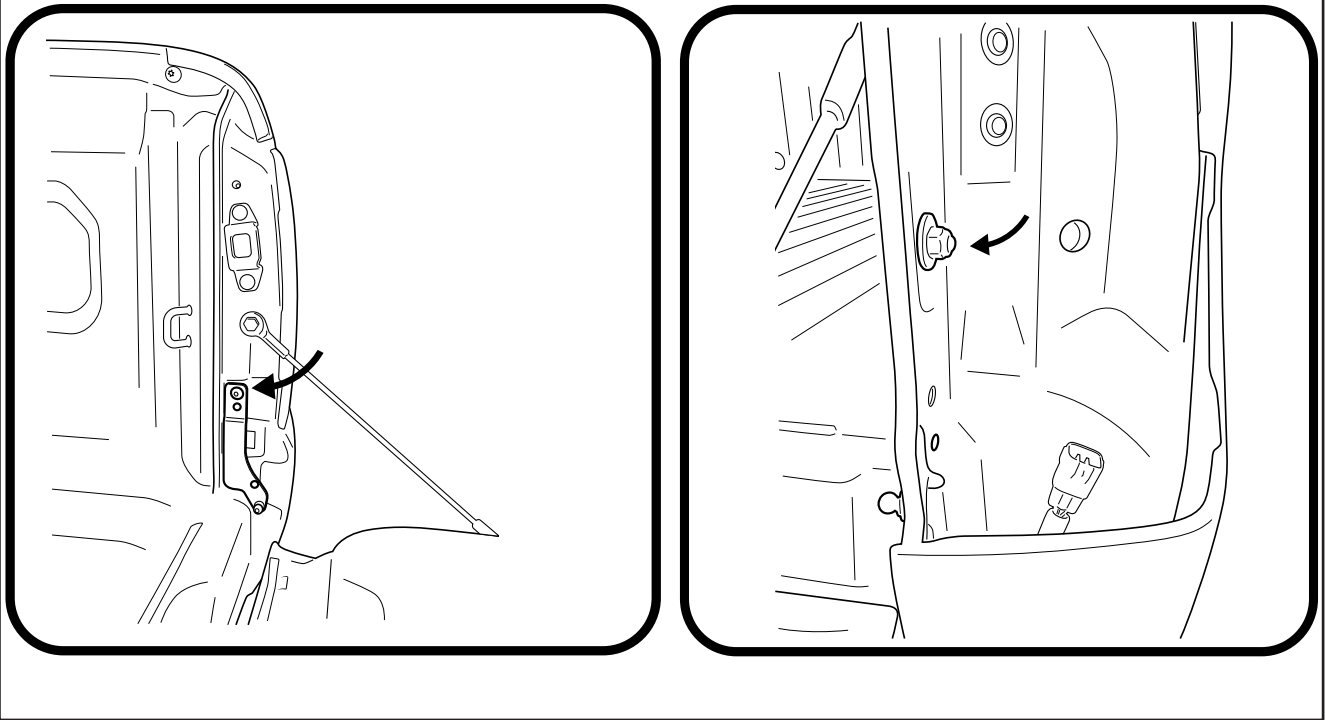


—STEP 6—



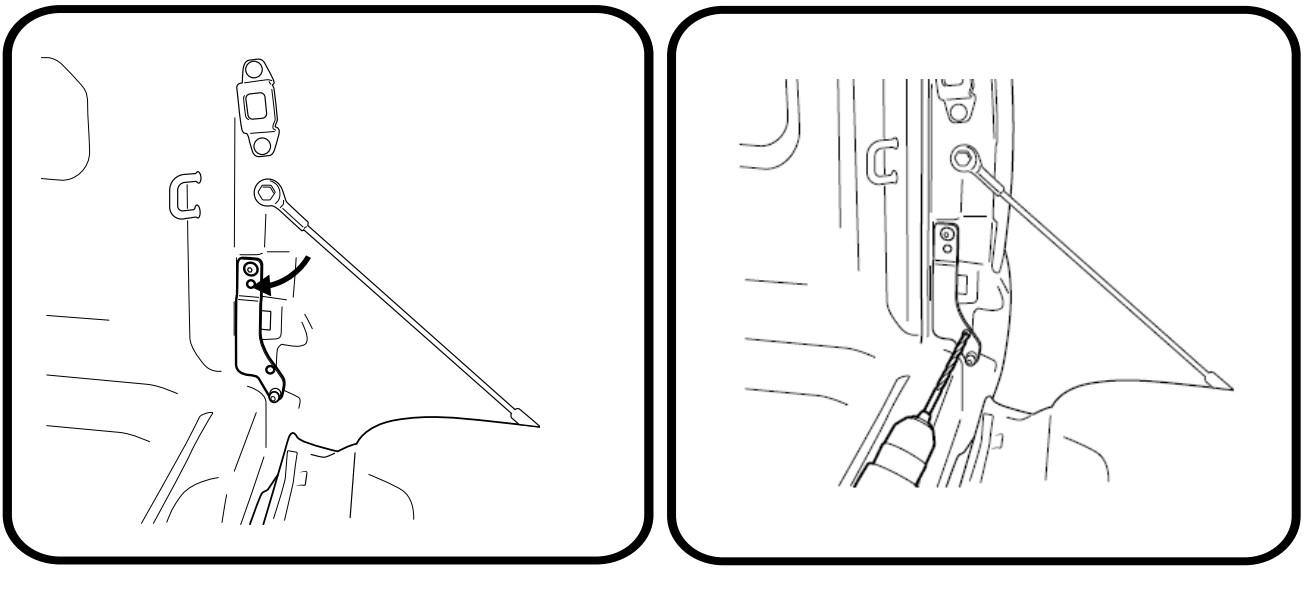
## — STEP 7 —

Feed M8 x 20mm button bolt supplied through the bracket and ute body, fasten using the 3mm thick washer and M8 nyloc nut provided.



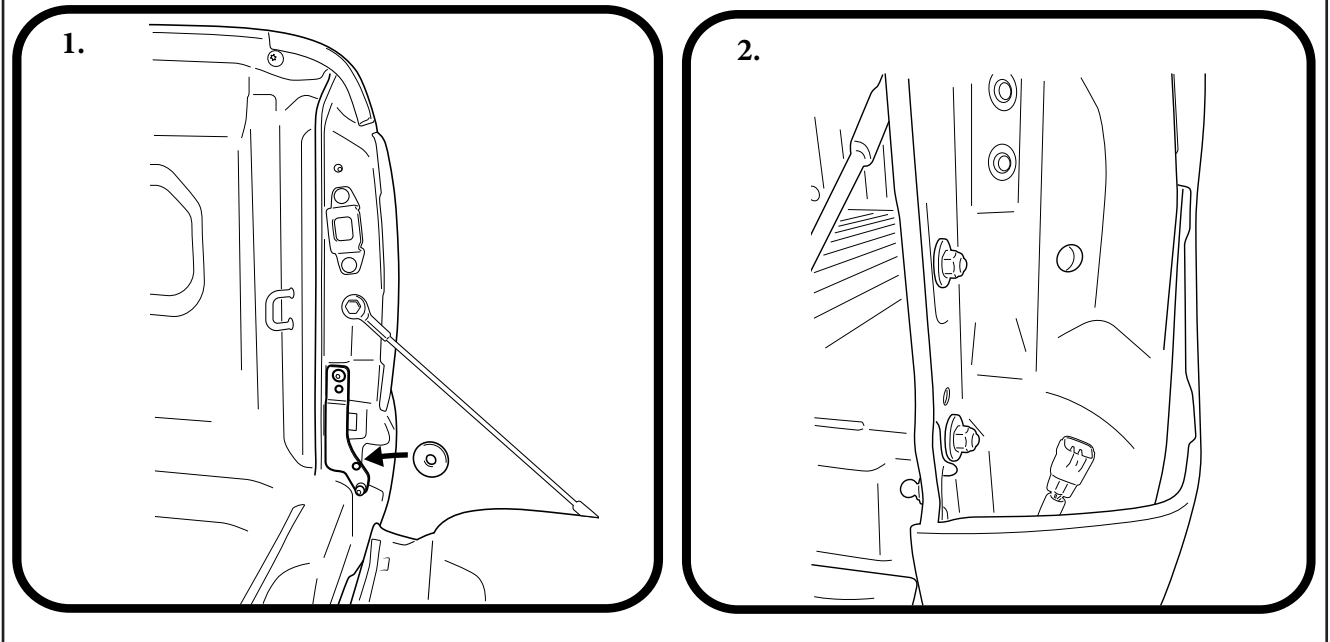
## — STEP 8 —

1. center the bracket with the tread on the body as indicated.
2. Drill through the bottom pre drilled hole of TA-07RH it in to the tub body ( using a 8mm drill bit),  
Clean surface & apply rust inhibitor.



## — STEP 9 —

1. Place the 3 mm thick washer inbetween the bracket and tub.
2. Feed M8 x 20mm button bolt supplied throught the bracket, washer and ute body, fasten using the 3mm washer and M8 nyloc nut provided.



## — STEP 10 —

1. Connect part number KSD ( Dampener strut) as indicated. You will need to pull on the shaft to extend and click in to position.
2. Re-fit the tail light on the drivers side.

