



WWW.HSPUTELIDS.COM

1300 441 498

Part No: NN12-1

Fitting Time: 30 mins



**Nissan NP300  
Navara Face Lift Dual Cab  
MY21.5**

HSP TAIL ASSIST

---

FITTING INSTRUCTIONS

## —GENERAL NOTES

---

- Read through the fitting instructions prior to installation of accessory.
- Ensure all recyclable components and packaging are discarded and recycled following local recycling regulations.
- Safely store and protect any removed vehicle components.

## —SAFETY NOTES

---

- Check that all work practices comply with safety standards.
- Please wear appropriate clothing and use safety equipment.

## —FITTING TIME

---



30 mins

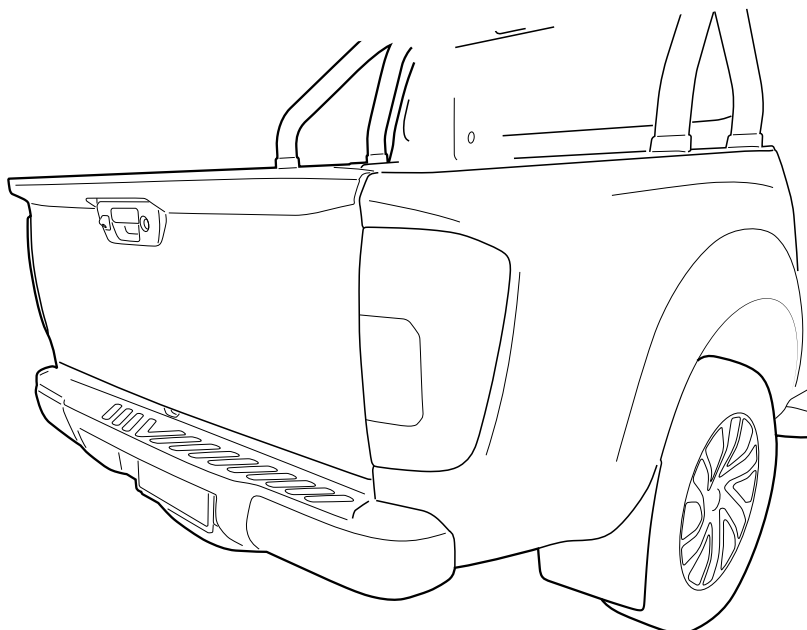
## —PARTS SUPPLIED

---

<b>PART NUMBER</b>	<b>PART DESCRIPTION</b>	<b>QUANTITY</b>
KSD-SPEC-1	Dampener strut	1
TA-21	Tailgate Mount R/H	1
TA-06RH	Tub Mount R/H	1
	<b>Other</b>	
TR-320	CLEAR PROTECTION TAPE	1
	Alcohol wipe	1

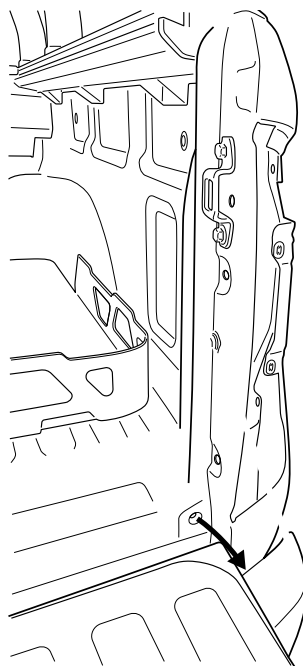
— STEP 1 —

Open tailgate.



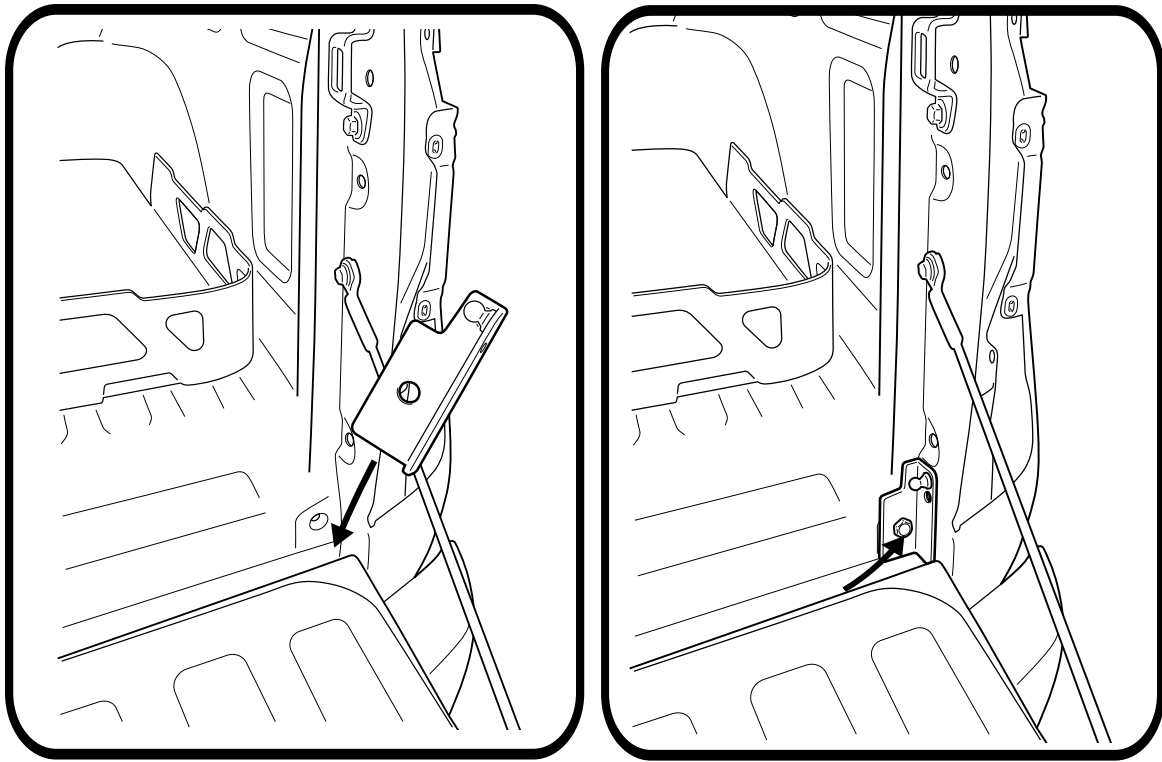
— STEP 2 —

Remove the indicated bolt .



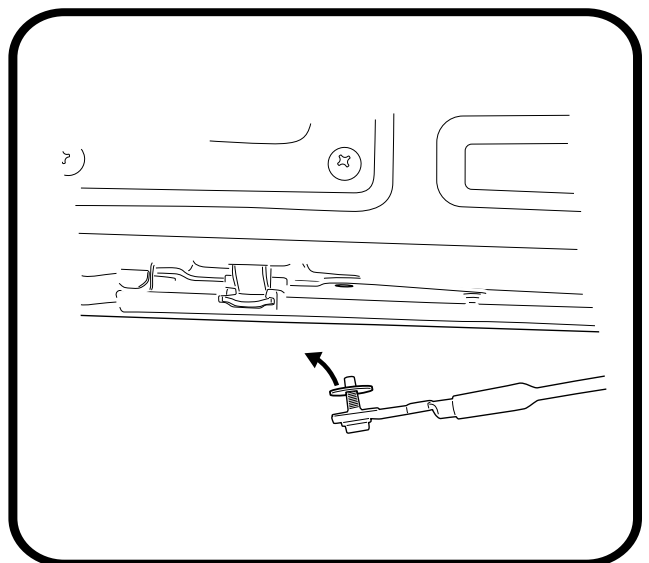
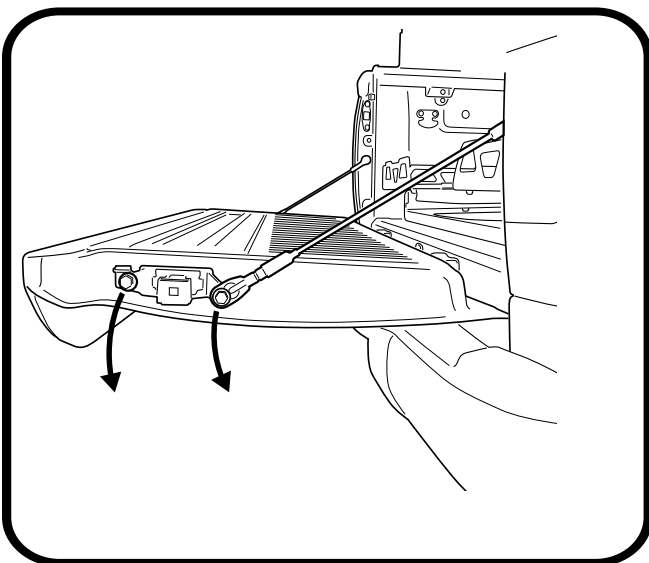
### — STEP 3 —

Place part number TA-22 ( Tub mount right hand) as indicated. Using the factory bolt retained, now secure in place.



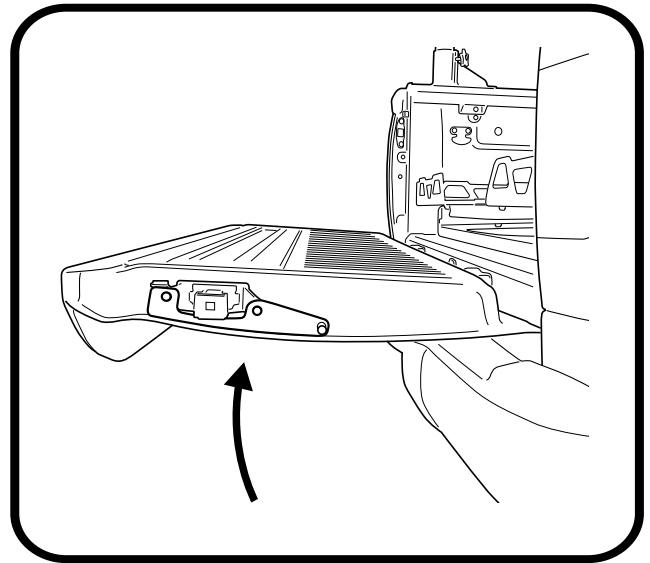
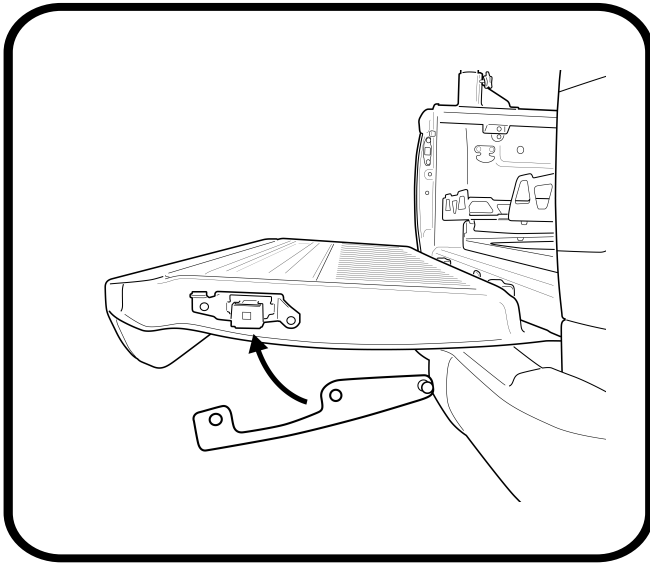
### — STEP 4 —

1. Remove indicated bolts and retain.
2. Remove and discard the steel washer, please retain the shim washer.



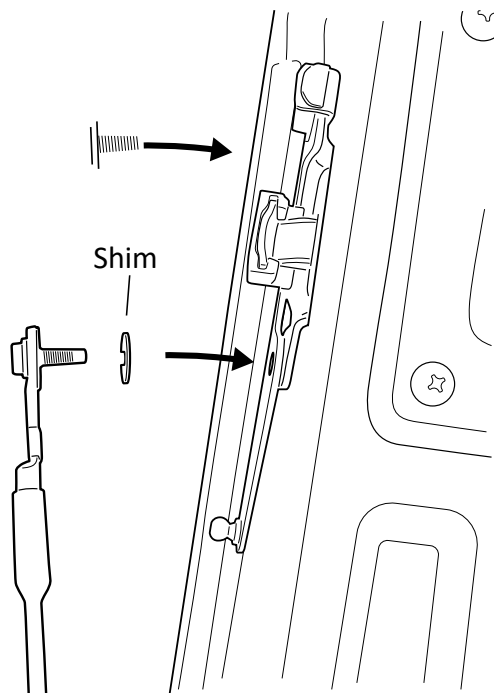
—STEP 5—

Place TA-21 as indicated.

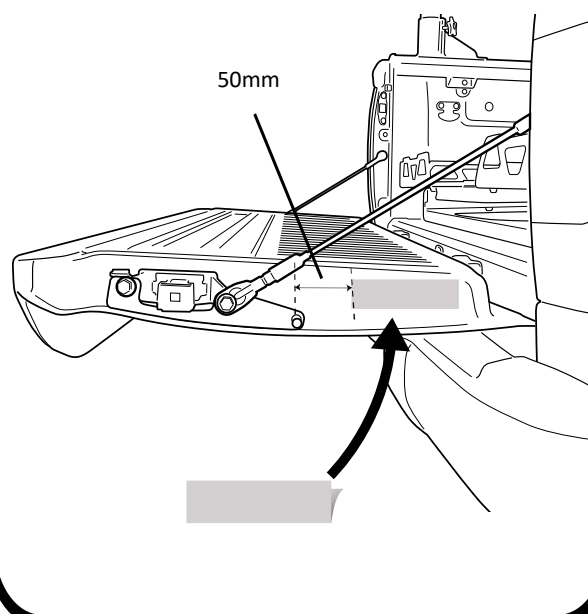


—STEP 6—

1. Fasten the bracket into place using the retained bolts.
2. Inspect the factory strap making sure it can move freely.

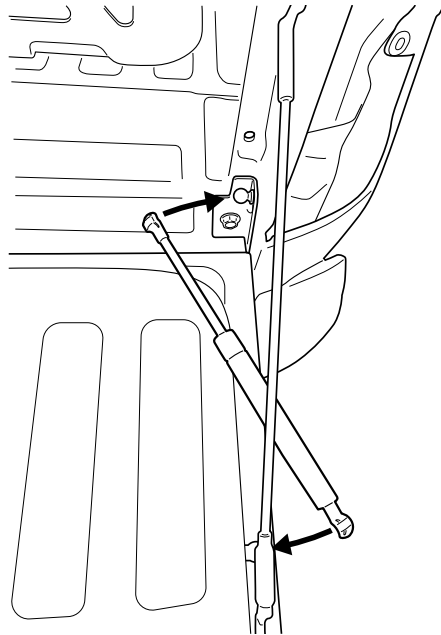


Peel backing of the TR-320 clear tape & apply to indicated area.



## — STEP 7 —

1. Connect part number KSD SPEC 1( Dampener strut) as indicated. You will need to pull on the shaft to extend and click in to position.



— FITTING COMPLETE —