



WWW.HSPUTELIDS.COM

1300 441 498

Part No: LD12

Fitting Time: 30 mins



LDV T60

HSP TAIL ASSIST

FITTING INSTRUCTIONS

—GENERAL NOTES

- Read through the fitting instructions prior to installation of accessory.
- Ensure all recyclable components and packaging are discarded and recycled following local recycling regulations.
- Safely store and protect any removed vehicle components.

—SAFETY NOTES

- Check that all work practices comply with safety standards.
- Please wear appropriate clothing and use safety equipment.

—FITTING TIME



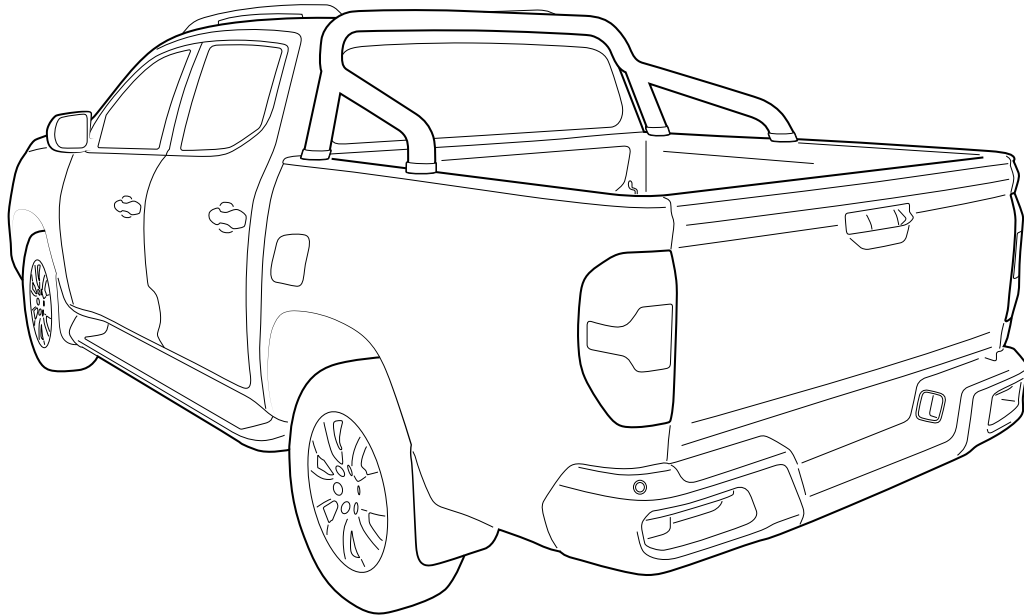
30 mins

—PARTS SUPPLIED

PART NUMBER	PART DESCRIPTION	QUANTITY
KSD-SPEC-3	Dampener strut	1
TRS-SPEC-3	Traction Strut	1
TA-11RH	Tailgate mount R/H	1
TA-11LH	Tailgate mount L/H	1
TA-15	M8 Shoulder bolt- tub mount	2
TA-16	Strut locking bolt	2
	<u>NUTS AND BOLTS</u>	
47	M8 x 25mm Bolt	2
	<u>OTHER</u>	

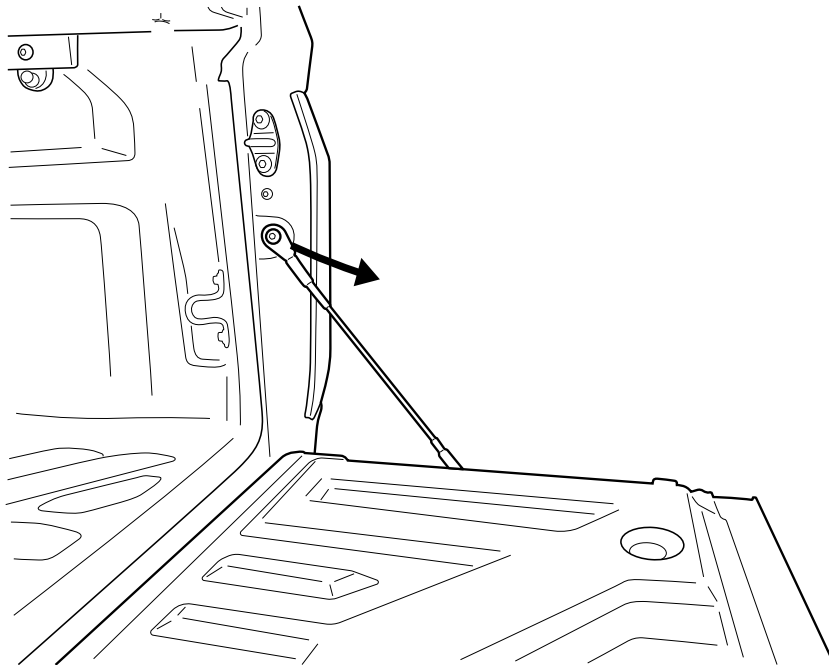
— STEP 1 —

Open tailgate.



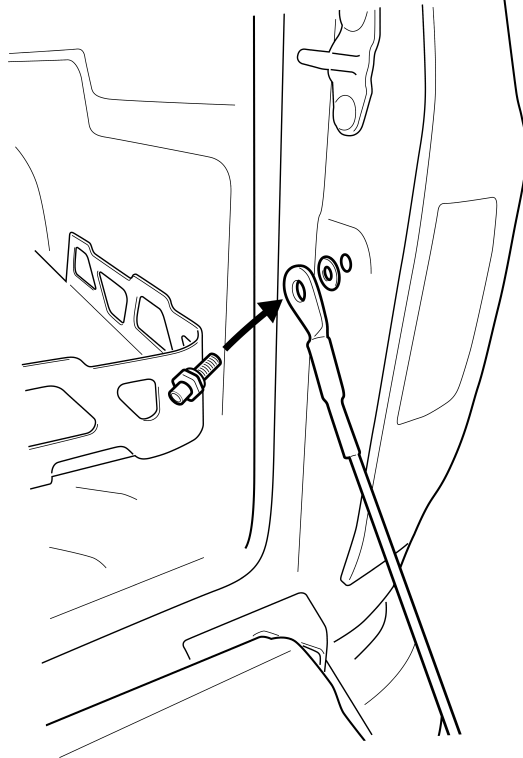
— STEP 2 —

Remove indicated bolt holding strap on the drivers side, and discard.



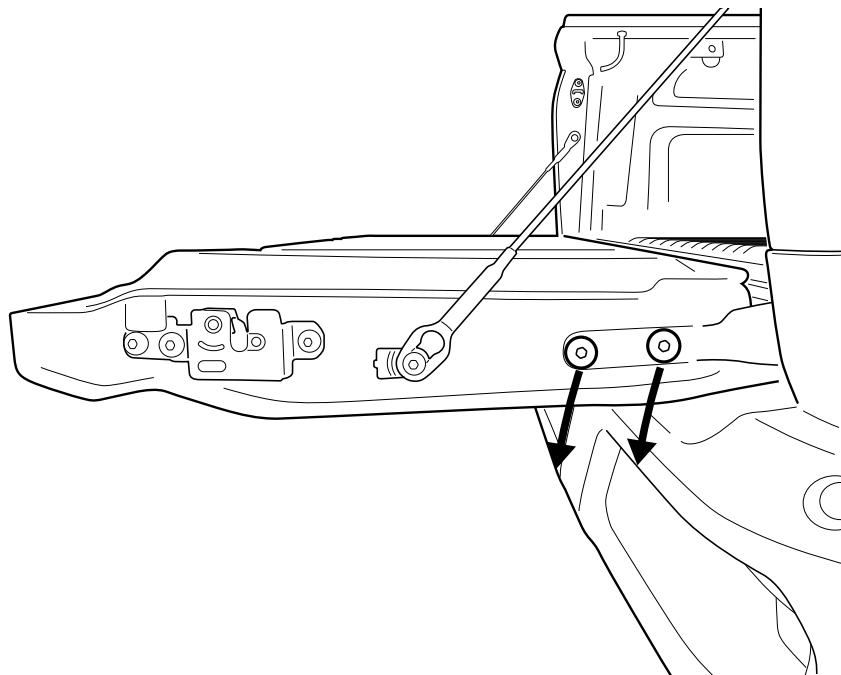
— STEP 3 —

Feed part number(TA-15) M8 shoulder bolt trough strap & followed by the retained washer. Now tighten.



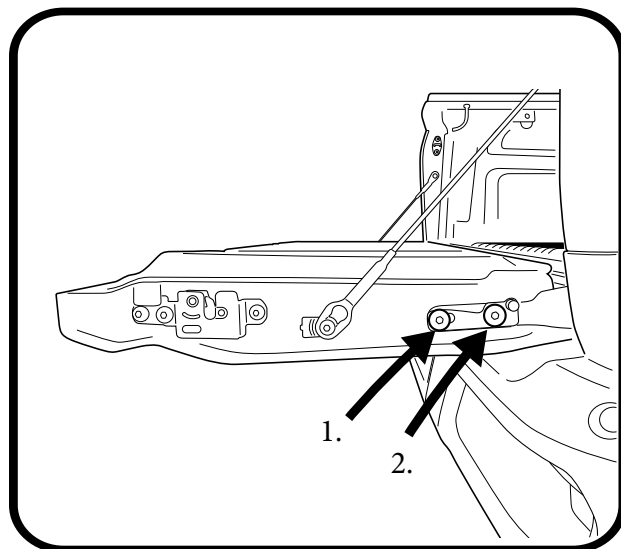
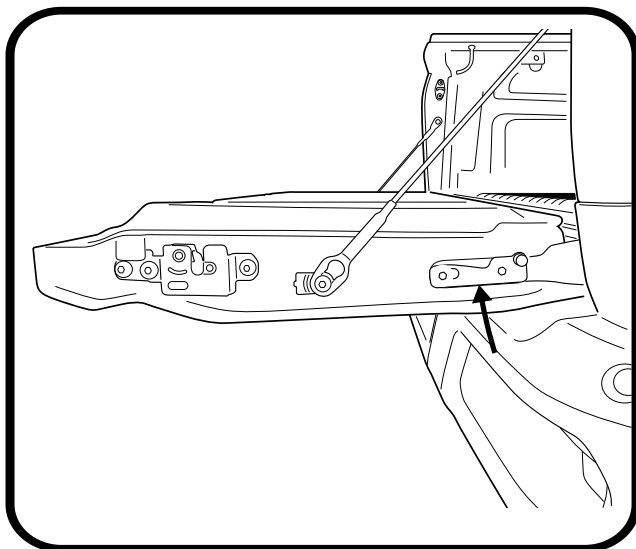
— STEP 4 —

Remove indicated bolts, and retain.



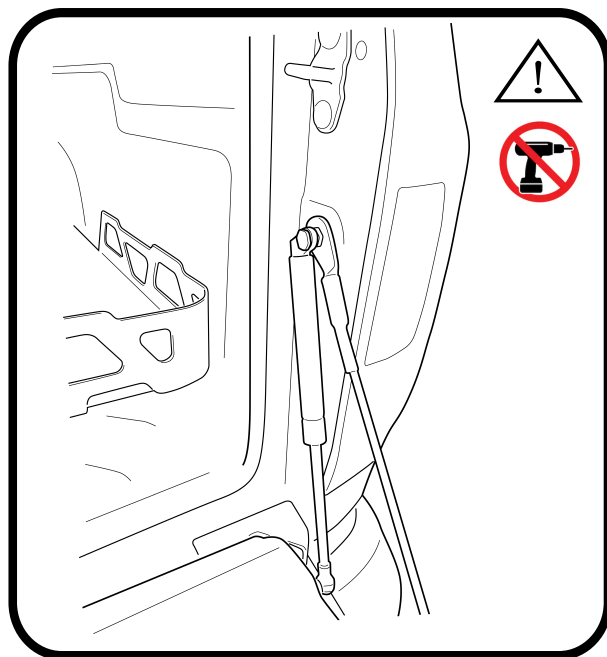
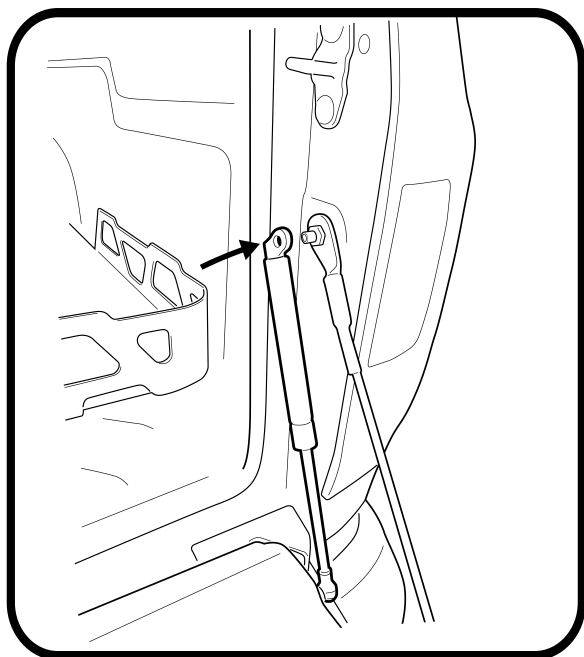
— STEP 5 —

Place bracket TA-11RH over the tailgate hinge and fasten with retained factory bolt as indicated to location 2. Using M8 x25mm bolt provided fasten to location 1.



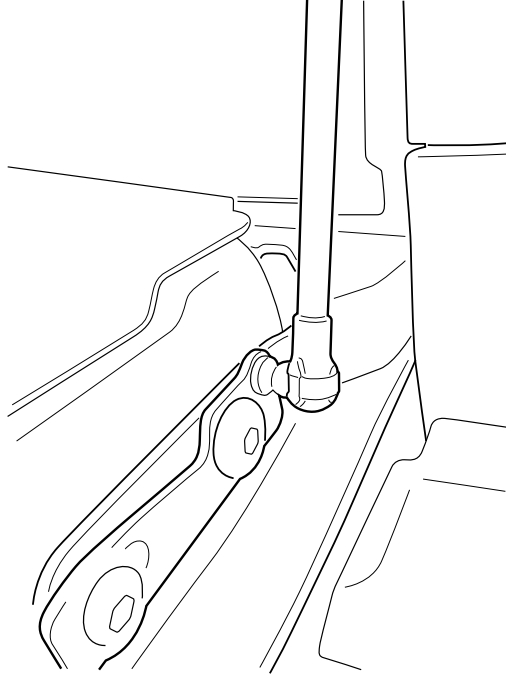
— STEP 6 —

Fit dampening strut, part number KSD cylinder end to the Shoulder of (TA-15) followed by strut locking bolt (TA-16) . **NOTE:** TA-16 Should be tighten to 2nm torque, Do not use power tools for this step.



— STEP 7 —

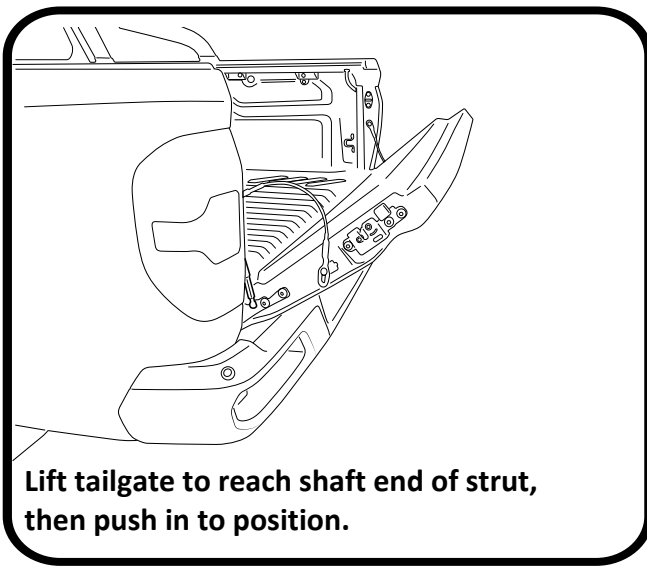
Now fit the shaft end of the strut to the stud ball on the tailgate.



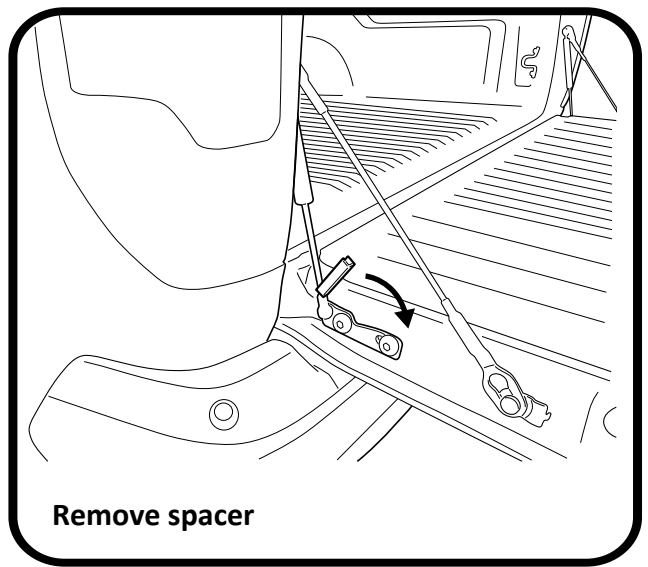
— STEP 8 —

Now repeat all the above steps on the passenger side

NOTE: passenger side tailgate bracket is part number TA-11LH The passenger side Strut has a spacer which will need removing once installed.



**Lift tailgate to reach shaft end of strut,
then push in to position.**



Remove spacer

— FITTING COMPLETE —