



WWW.HSPUTELIDS.COM

1300 441 498

Part No: H12

Fitting Time: 50 mins



TOYOTA HILUX REVO 2016+

HSP TAIL ASSIST

FITTING INSTRUCTIONS

—GENERAL NOTES

- Read through the fitting instructions prior to installation of accessory.
- Ensure all recyclable components and packaging are discarded and recycled following local recycling regulations.
- Safely store and protect any removed vehicle components.

—SAFETY NOTES

- Check that all work practices comply with safety standards.
- Please wear appropriate clothing and use safety equipment.

—FITTING TIME



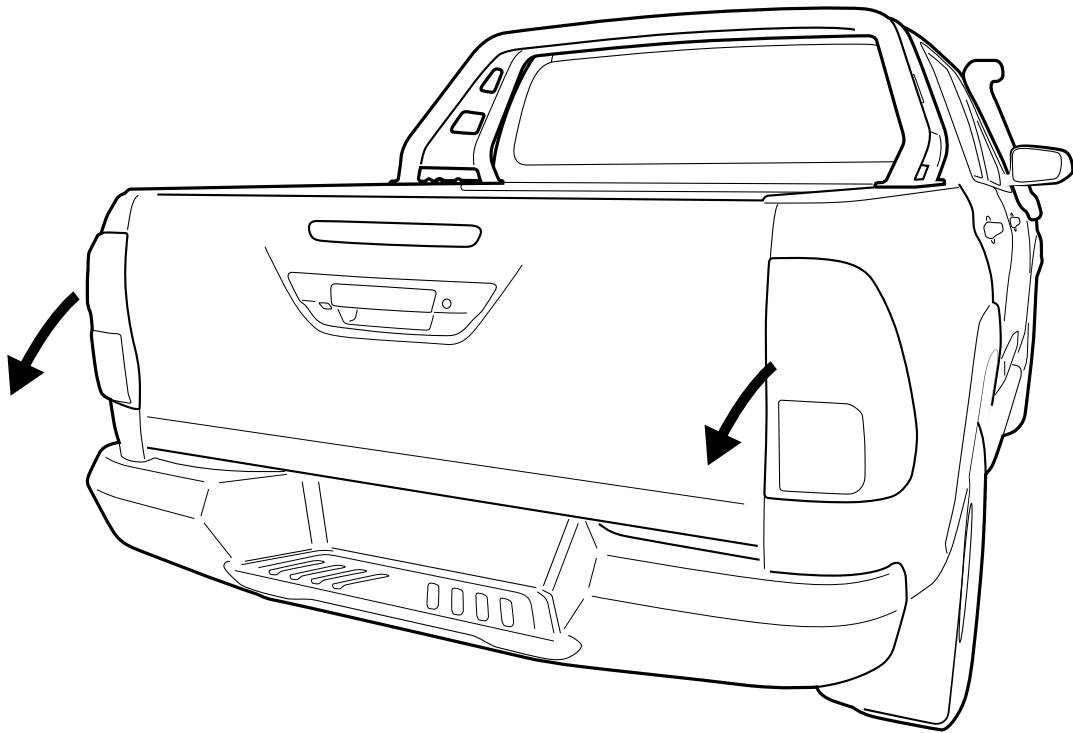
50 mins

—PARTS SUPPLIED

PART NUMBER	PART DESCRIPTION	QUANTITY
KSD-SPEC-3	Dampener strut	1
TRS-SPEC-4	Traction Strut	1
TA-18	Tailgate M8 ball bolt	2
TA-15	M8 Shoulder bolt- tub mount	2
TA-16	Strut locking bolt	2
TA-14	M8 Shoulder bolt	2
CB2	TAILGATE CABLE	2
	<u>NUTS AND BOLTS</u>	
24	M8 thick washer	2
40	M8 Nyloc nut.	2
21	M8 thin washer	2
	<u>OTHER</u>	
	Clear protective tape	4
	Alcahole whipe	1
	Cable stop	2

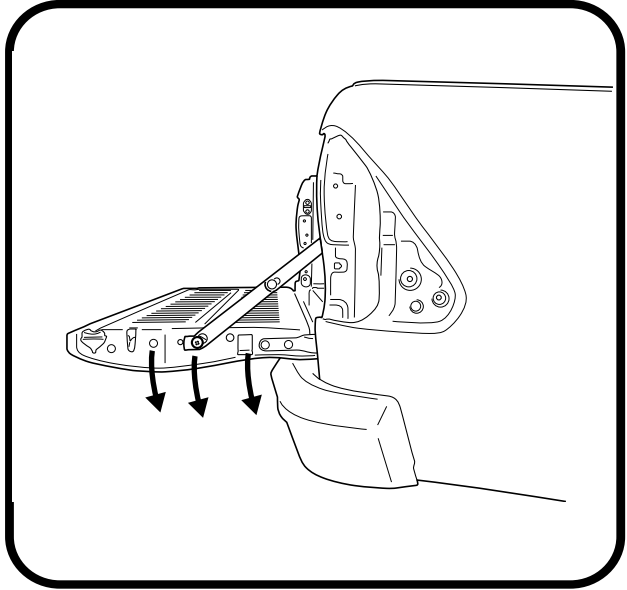
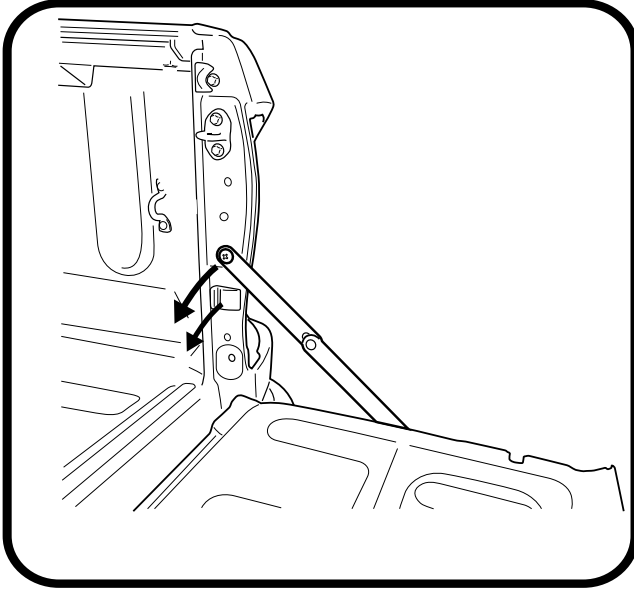
STEP 1

Open tailgate & remove tail lights.



—STEP 2—

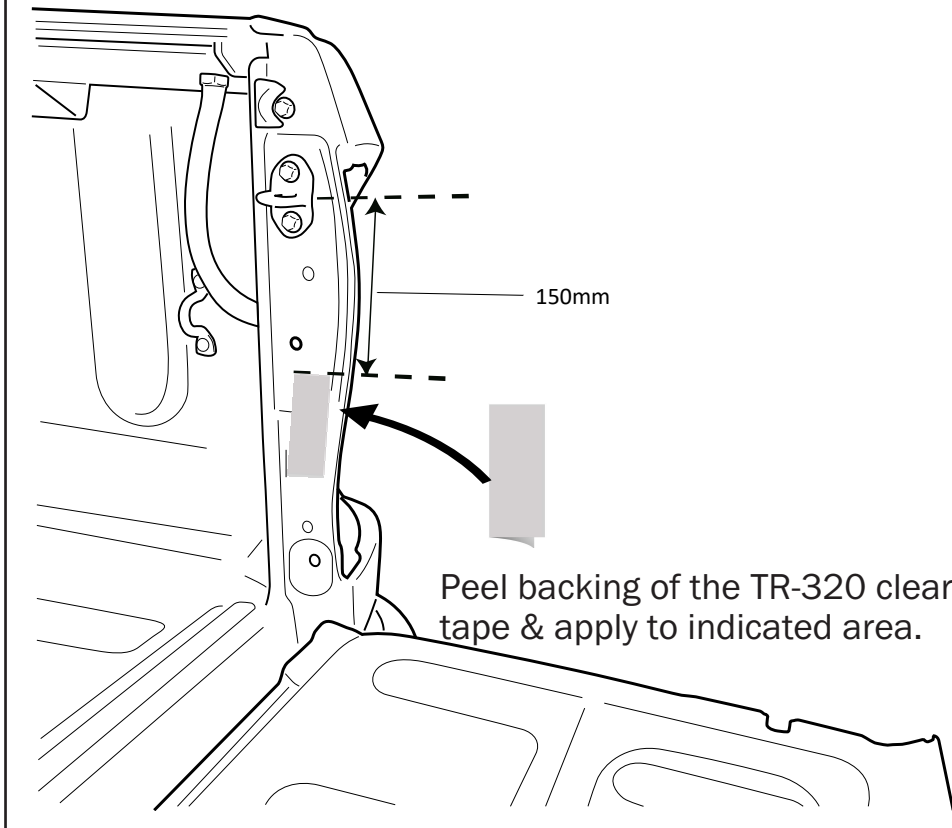
Remove indicated bolts holding tailgate hinge on the drivers side, and discard.
Remove the rubber stops from the tailgate and the tub as indicated. Discard these parts.
Remove hex bolt holding tailgate latch, and discard.



Heavy duty loctite has been used on the indicated bolts from factory.
Heating the thread or using rattle gun with a correct phillips head bit will be required.

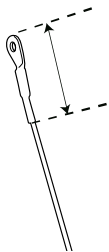
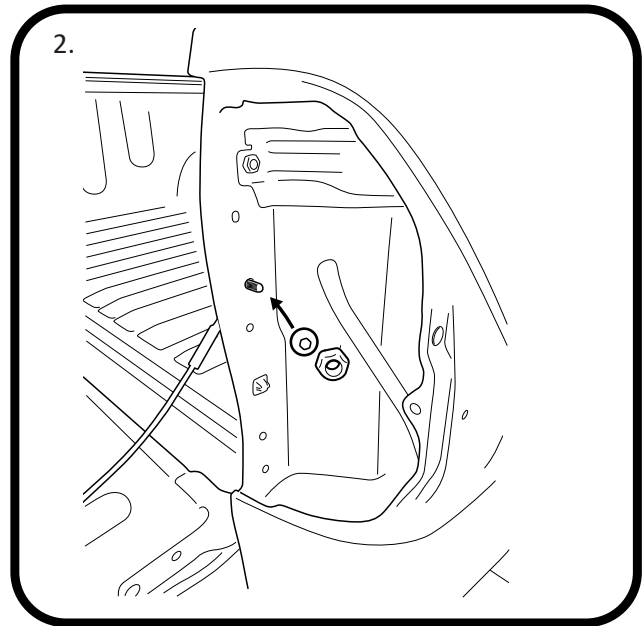
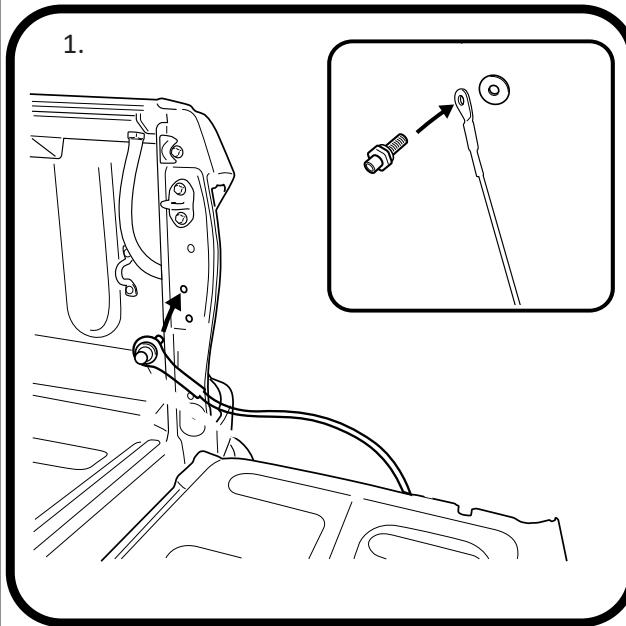
—STEP 3—

Apply clear protection tape (TR-320) as indicated. (Clean area with alcohol wipe prior to application)



— STEP 4 —

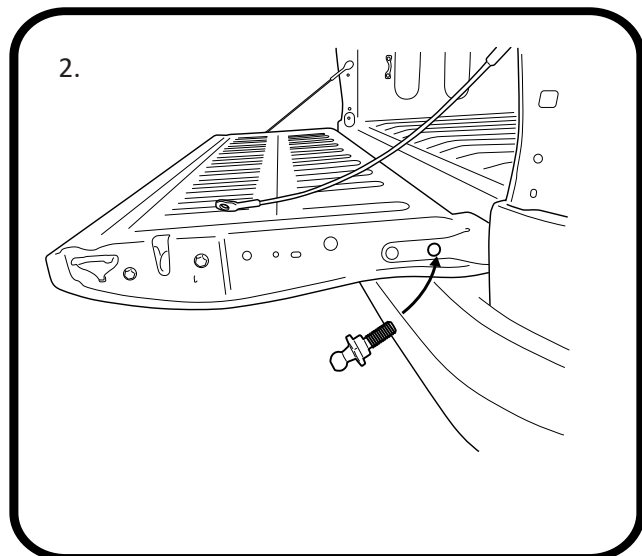
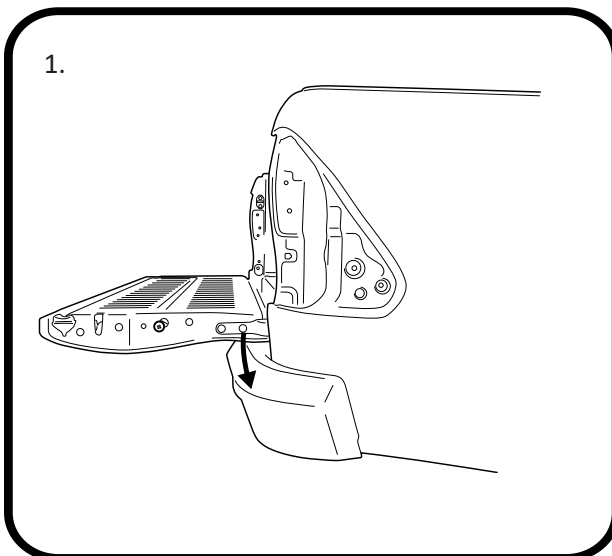
1. Feed part number(TA-15) M8 shoulder bolt trough cable (CB2) followed by the M8 thin washer then through the indicated hole on the tub.
2. Place m8 thick washer followed by the M8 nyloc nut, now fasten.



Making sure to use the end measuring to 70mm on the tub end, as indicated.

— STEP 5 —

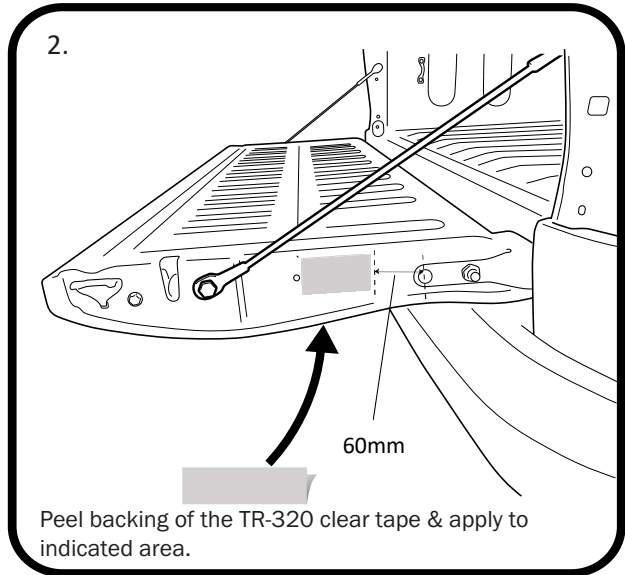
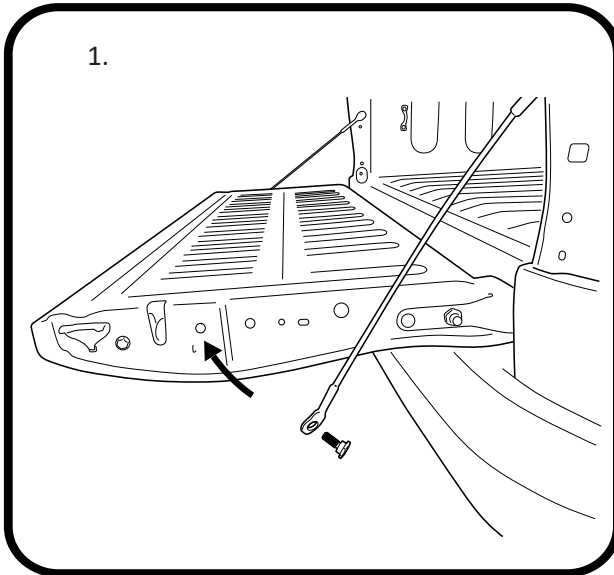
1. Remove indicated bolts, and discard.
2. Place M8 ball bolt (TA-18) over the tailgate hinge as indicated and fasten.



Heavy duty loctite has been used on the indicated bolts from factory. Heating the thread or using rattle gun with a correct phillips head bit will be required.

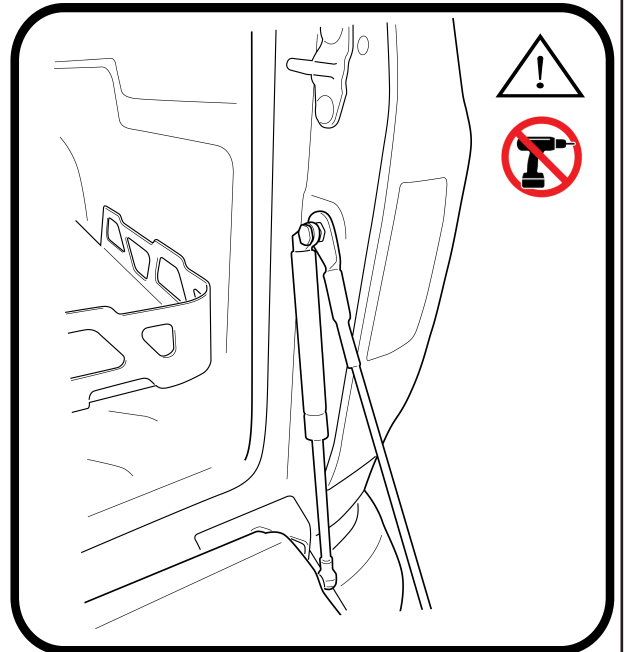
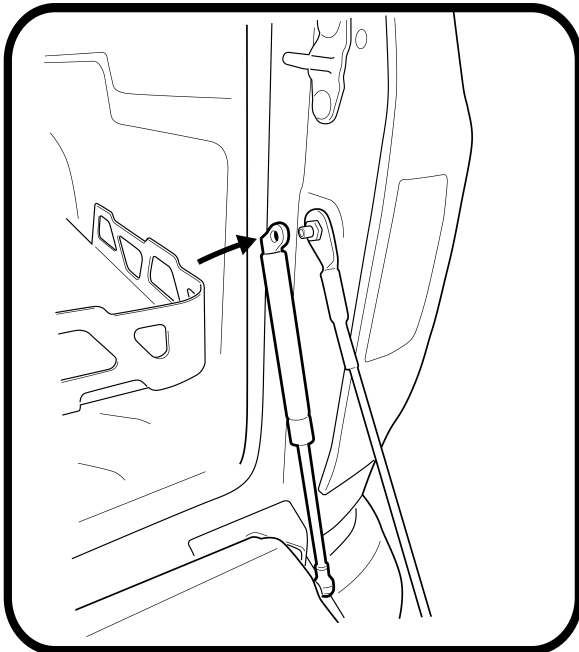
— STEP 6 —

1. Feed TA-14 M8 shoulder bolt through the cable slot as indicated and fasten.
2. Apply clear protection tape (TR-320) as indicated. (Clean area with alcohol wipe prior to application)



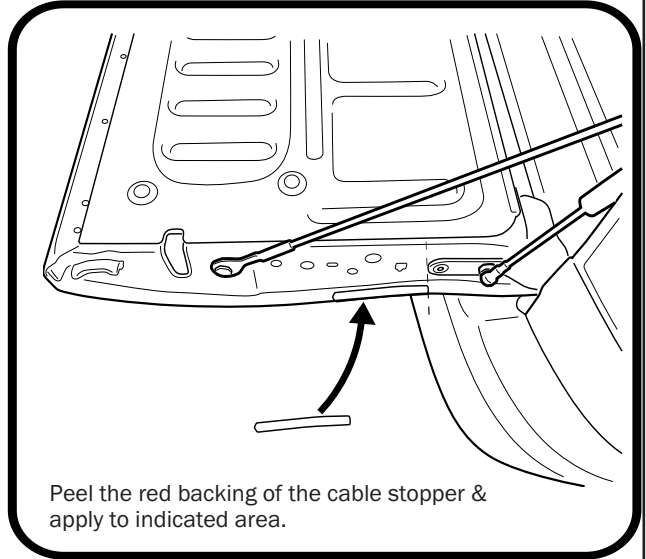
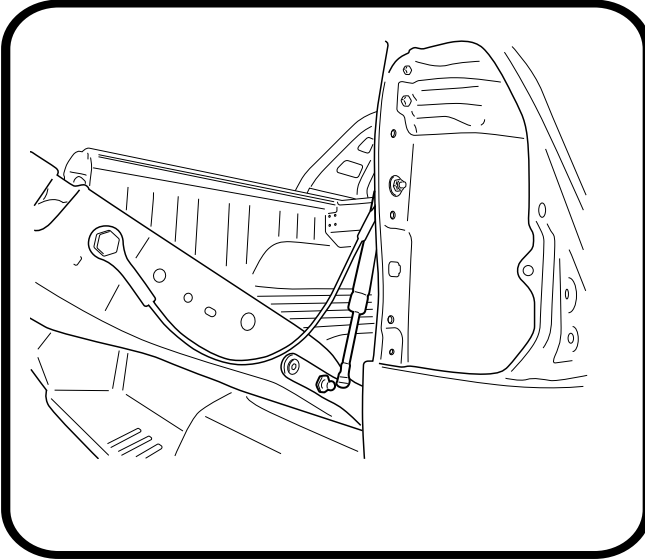
— STEP 7 —

Fit dampening strut, part number KSD cylinder end to the Shoulder of (TA-15) followed by strut locking bolt (TA-16) . **NOTE:** TA-16 Should be tighten to 2nm torque, Do not use power tools for this step.



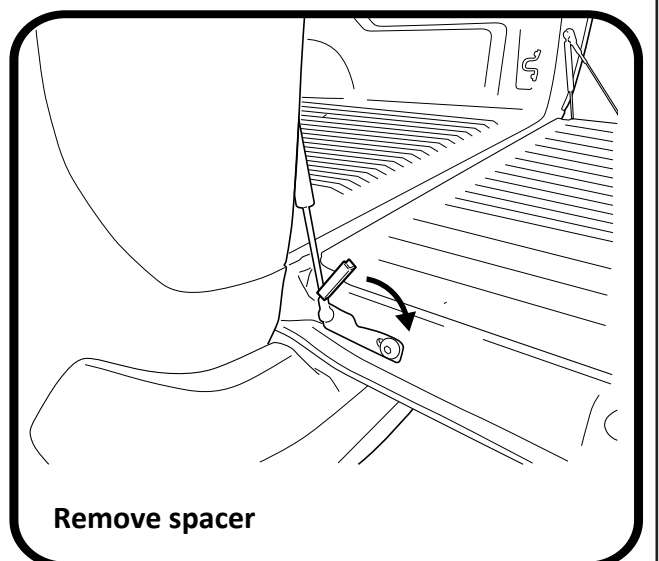
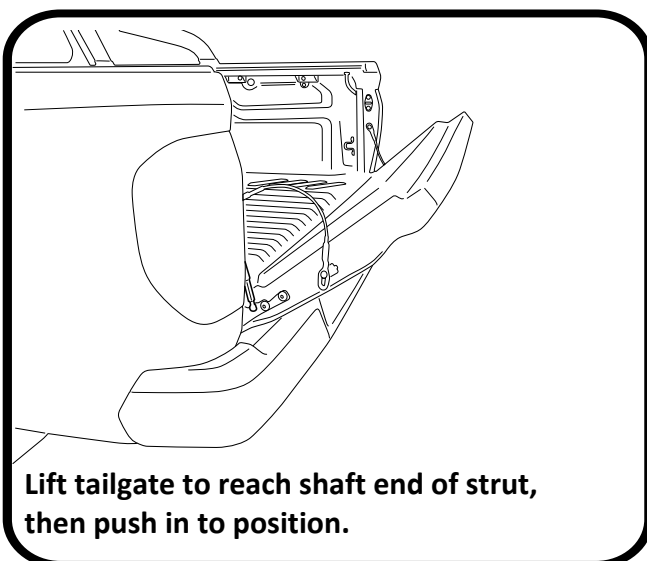
— STEP 8 —

1. Now fit the shaft end of the strut to the stud ball on the tailgate.
2. Apply cable stopper rubber as indicated. (Clean area with alcohol wipe prior to application)



— STEP 9 —

Now repeat all the above steps on the passenger side
NOTE: The passenger side Strut has a spacer which will need removing once installed.



Refit the taillights.

— FITTING COMPLETE —