




FITTING INSTRUCTIONS

TOYOTA LANDCRUISER PRADO 150 SERIES
GXL / KAKADU / SAHARA



 Image for illustration purposes only.



MSA4X4.COM.AU | GEAR FOR LIFE

CONTENTS

- 3** CONGRATULATIONS
- 4** GETTING STARTED:
- 5** IMPORTANT INFORMATION
- 6** FITTER'S QUICK INSTALLATION GUIDE
- 7** 3D DIAGRAM
- 8** FITTING DIAGRAM
- 9** BRACKET POSITIONS
- 10** VEHICLE PREPARATION
- 14** DRAWER REMOVAL & REINSTALLATION
- 16** DRAWER MODULE PREPARATION
- 18** DOUBLE DRAWER INSTALLATION
- 26** SINGLE DRAWER INSTALLATION
- 27** DRAWER REMOVAL & INSTALLATION
AFTER THE DRAWERS HAVE BEEN COMPLETELY INSTALLED
- 28** OPERATING INSTRUCTIONS
- 29** CARE & MAINTENANCE
- 30** WARRANTY





CONGRATULATIONS ON YOUR PURCHASE OF A QUALITY MSA 4X4 DRAWER SYSTEM!

**Years of design, development and manufacturing knowledge goes into every
MSA 4X4 product to ensure that our products are the very best they can be!**

Established in 2000, MSA 4X4 Accessories are the 4WD market leaders in quality Canvas products which include Certified ADR Compliant Canvas Seat Covers, Rear Wheel Bags, Rear Wheel Rubbish Bins, Vehicle Organisers and more.

We pride ourselves on our innovative products which include the world first, revolutionary Fridge Dropside, the new patent pending Explorer Aluminium Storage Drawer System which delivers a whole new level of access to the drawer contents, the original Water Bra, fully adjustable air lumbar support systems, and an extensive range of 4x4 accessories that have stood the test of time.

As testament to our innovative culture, we have been awarded 19 patents in Australia & Internationally across our range of products including innovations currently within the patent process. We are a growing team with a vast knowledge of what works and what doesn't work out in the real world and constantly strive to deliver the highest quality product to our customers. We treat every product design with fear of failure in mind, ensuring our products are always the very best they can be. All our products are designed to be as simple as possible to use and are supported by our MSA 4X4 Lifetime Guarantee.

**Our products are available through a network of over
600 stockists Australia wide.**



4 GETTING STARTED: Here's what comes in the box



- 1 X** Drawer Module
- 2 X** Keys (located inside each drawer module)
- 1 X** Wing & Fit Kit box if ordered
- 1 X** Double Drawer Joining Kit if ordered
- 1 X** Crash Test Certificate

If anything is missing, please contact us via msa4x4.com.au



GEAR FOR LIFE

IMPORTANT INFORMATION

It is important that you read and understand the below information before installing your new MSA 4X4 Explorer Aluminium Storage Drawer System.

MAINTAINING ADR COMPLIANCE OF YOUR DRAWER SYSTEM

MSA 4X4 storage drawer systems have been legally crash tested and are supplied as an ADR compliant drawer module and fit kit system when the correct number fit kits for the Toyota EWFK-PRA150-LEFT and EWFK-PRA150-RIGHT are used for the installation and joining of the drawer modules. Failure to use a matching fit kit or components for the particular vehicle installation or the use of other components to install MSA 4X4 storage drawers may void the ADR compliance of the storage drawer system and/or the warranty.

UNDERSTANDING DIFFERENCES BETWEEN LEFT & RIGHT HAND SIDE MODULES:

MSA 4X4 storage drawer systems are of a modular design, they do come in left and right hand side modules as the need for wires and switches must enter the frame from one side. The modules are clearly marked “left” and “right” on the packaging boxes. On the right (RHS) drawer, the wiring and the LED light switch is on the RHS of the drawer. On the left (LHS) drawer the wiring and switch is on the LHS of the drawer.

FRONT & REAR DEFINITIONS FOR FITTING INSTRUCTION PURPOSES:

The “Front” is related to the front face of the drawer system, where the lock is located. (Towards the rear of the vehicle.) The “Rear” is related to the rear of the drawer system. (Towards the front of the vehicle.)

MAINTAINING ADR COMPLIANCE OF YOUR CHILD RESTRAINTS:

ADR Compliant Child Restraint points are installed as standard in MSA 4X4 Storage drawer systems. The anchor point bolt for the Child Restraint is marked on the rear of the drawer. This is the second bolt down from the top. The bolt installed is an M8 x 30mm High Tensile bolt, please use this bolt for child restraint anchors. Do not replace this bolt as it will result in the child restraint anchor not being ADR compliant.

MAINTAINING ADR COMPLIANCE OF CARGO BARRIER INSTALLATION:

The top two bolts on both sides of the rear frame can be used for Cargo Barrier mounting, these points have been crash tested and are ADR Compliant when used with the supplied bolts.



The same **second bolt down** from the top only can be used as a Cargo Barrier mount and a Child Restraint point from the same bolt if needed. (see image above)

6 FITTER'S QUICK INSTALLATION GUIDE

TOYOTA LANDCRUISER 150 PRADO

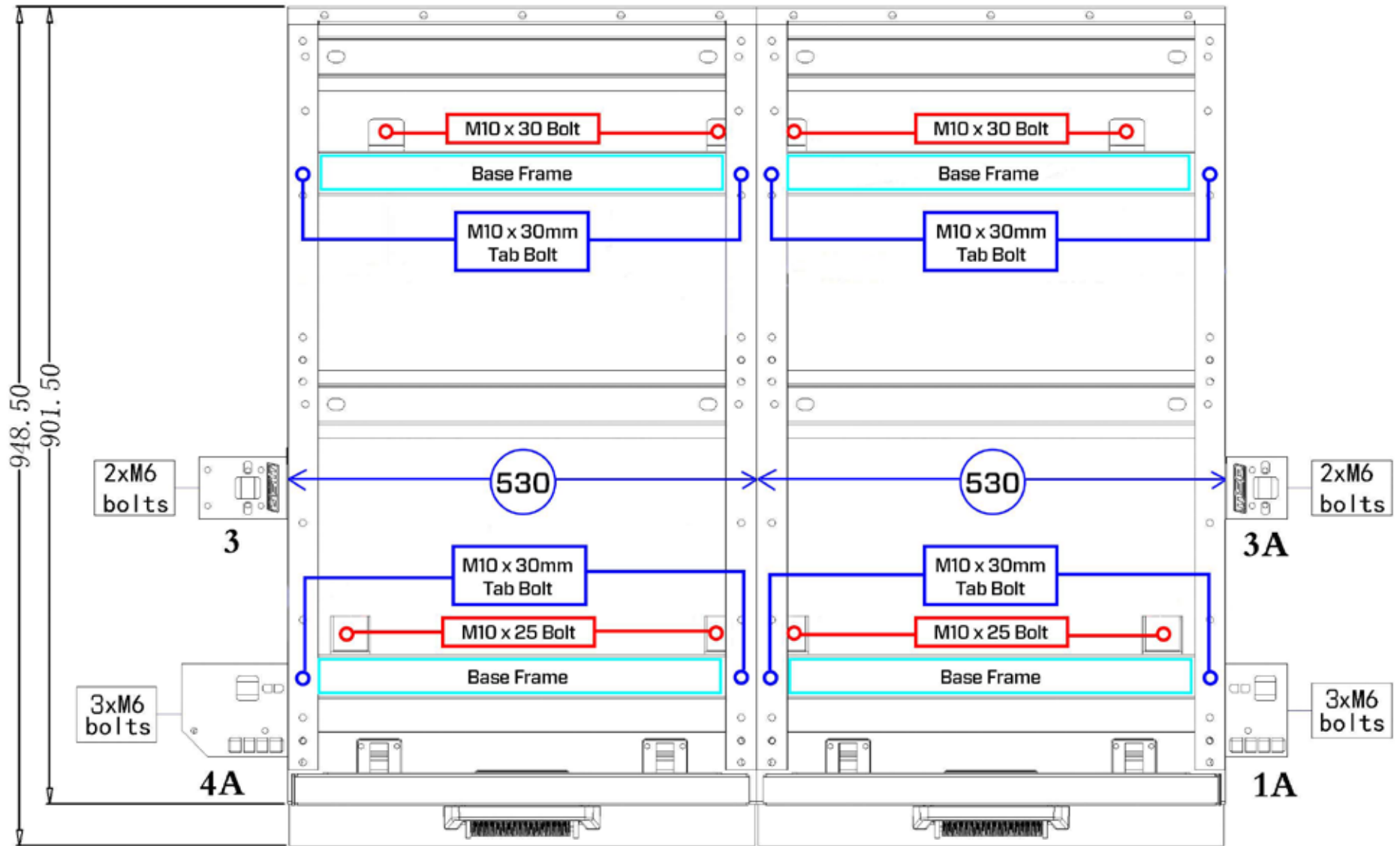
- 1** Prepare the vehicle by removing the 3rd row of seats and any trims and carpet.
- 2** Clean, vacuum and wipe down the floor of the vehicle.
- 3** Remove drawer from frame if need - not necessary but easier for handling and installing the frames.
- 4** Prepare both drawers by installing any wing brackets and spacer blocks if needed
- refer to fitting diagram on page 8 for more detailed instruction.
- 5** Place Right (driver's) side module in to vehicle.
- 6** Place Left (passenger's) side module into vehicle.
- 7** Join drawers with join kit bolts and tighten if double drawer kit is being installed.
- 8** Centre the drawer frame in the car.
- 9** Drill holes in the floor through the cross channels and install bolts & washers as per the fitting diagram on page 8.
- 10** Do any wiring required for power supply to drawer frames.
- 11** Re-install drawers into frame.
- 12** Check that drawers function correctly.
- 13** Install the wing panels.
- 14** Install the large frame top panels.
- 15** Install top panel and front trim and install wing panel trims.

EXPLORER ALUMINIUM DRAWER SYSTEM

7

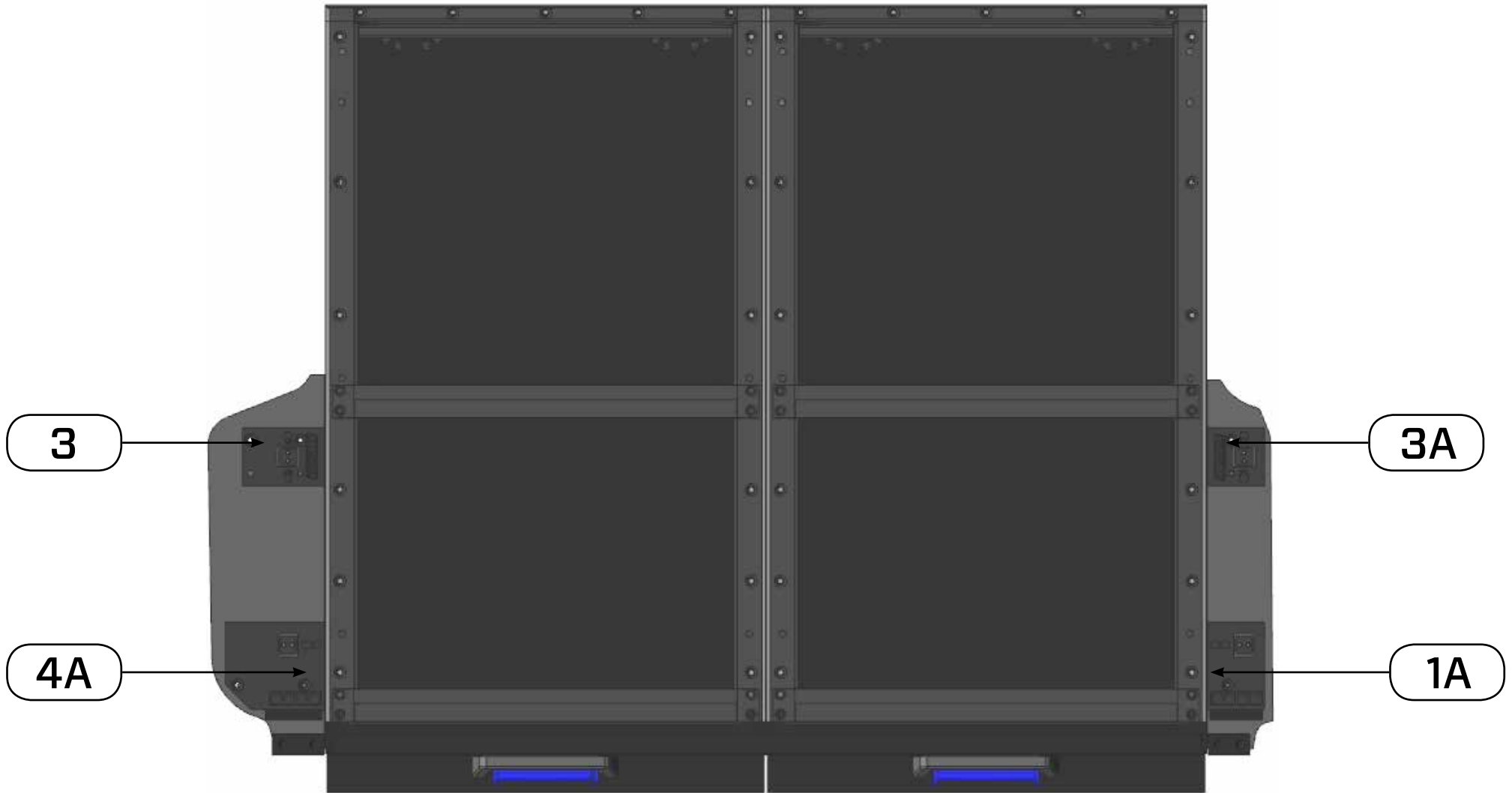


LANDCRUISER PRADO 150 FITTING DIAGRAM



LEFT PASSENGER SIDE MODULE RIGHT DRIVER'S SIDE MODULE
FRONT OF DRAWER (BACK OF CAR)

REAR



FRONT

10 VEHICLE PREPARATION

PLEASE FOLLOW THESE VEHICLE PREPARATION INSTRUCTIONS TO ENSURE THAT YOUR NEW EXPLORER ALUMINIUM STORAGE DRAWER SYSTEM IS INSTALLED CORRECTLY.

- 1** Remove the third row of seats and carpeted rim panels.
- 2** Remove all factory tie down points by lifting up the trim and then removing the 6mm bolts with a 10mm hex socket. **(FIG. 1, 2 & 3)**
- 3** Remove the rear carpeted trim panel by placing fingers in the removed tie down hole and pulling upwards on the trim to release the pop clips. **(FIG. 4 & 5)**



FIG. 1

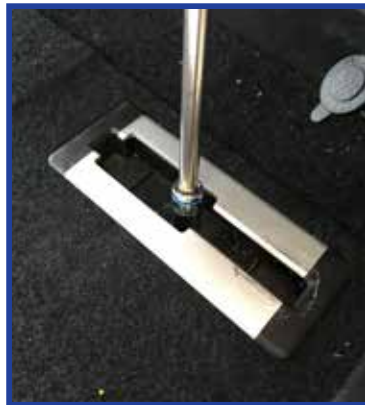


FIG. 2



FIG. 3



FIG. 4



FIG. 5

- 4** Now remove the rear plastic trim by removing the 3 x M6 x 10mm hex head bolts. **(FIG. 6, 7, 8 & 9)**
- 5** Remove the two outside carpeted panels by placing fingers on the underside and popping up. **(FIG. 10 & 11)**
- 6** Remove the steel floor support by removing the 2 x M6 x 10mm hex head bolts. **(FIG. 12)**



FIG. 6



FIG. 7



FIG. 8



FIG. 9



FIG. 10



FIG. 11



FIG. 12

12 VEHICLE PREPARATION

- 7** Remove both side steel brackets covering the electrics on Sahara and Kakadu models (**FIG. 13 & 14**) or the steel support on GXL models (**FIG. 15 & 16**)
- 8** Fold the seat half way up and remove the 4 x front seat mount bolts using a 14mm hex socket. (**FIG. 17 & 18**)
- 9** **DO NOT disconnect any electrical connections to the seats on a Sahara and Kakadu models at this stage.**
- 10** Now put the seats to the full upright position to expose the rear mounting bolts and remove the 4 x rear seat mount bolts with a 14mm hex head socket. (**FIG. 19, 20 & 21**)



FIG. 13



FIG. 14



FIG. 15



FIG. 16



FIG. 17



FIG. 18



FIG. 19



FIG. 20



FIG. 21

- 11** Now fold the seat down to a flat position for easy storage. **(FIG. 22)**
- 12** Now disconnect the power supply plugs to both seats on Sahara and Kakadu models. **(FIG. 23 & 24)**
- 13** Both seats can now be removed from the vehicle.
- 14** The white plastic wire clips now need removing from the rear as they will interfere with the drawer frame base carpeted panel **(FIG. 25)**
- 15** Ensure that the factory jack and any tools are removed from side storage compartments as they will be difficult to access after drawer installation is complete.



FIG. 22



FIG. 23

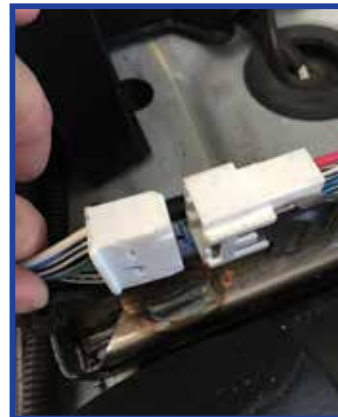


FIG. 24



FIG. 25

14 DRAWER REMOVAL & REINSTALLATION

PLEASE FOLLOW THESE DRAWER MODULE PREPARATION INSTRUCTIONS TO ENSURE THAT YOUR NEW EXPLORER ALUMINIUM STORAGE DRAWER SYSTEM IS INSTALLED CORRECTLY.

- 1** **Note:** Drawer preparation requires the drawer to be open to full extension. A long flat surface is required for this preparation.
- 2** **Tip:** A cordless drill, hex bit to 1/4 and 3/8 drive socket adapters, a set of 1/4 and 3/8 drive hex head bits and a set of metric spanners are recommended for installation ease.
- 3** Remove one drawer module from its packaging and place on a flat surface – a 2.4 metre flat bench is recommended.
- 4** Remove the carpeted top panel by removing the 21 x M6 countersunk Allen head bolts (this is quickest with a cordless drill, 1/4 drive adapter and 1/4 drive 4mm hex head socket bit) set the panel aside. **(FIG. 26 & 26a)**

DRAWER REMOVAL

- 5** The drawers can be installed with or without removing the drawers from the frame. It is easy and quick to remove the drawer from the frame which makes it easier to handle and install.
- 6** If you choose to remove the drawer, start by fully extending the drawer so that the brass electrical contacts and stay open device are completely engaged. **(FIG. 27)**
- 7** Support the end of the open drawer near the lock with a corner piece of packing from the box. **(FIG. 28)**

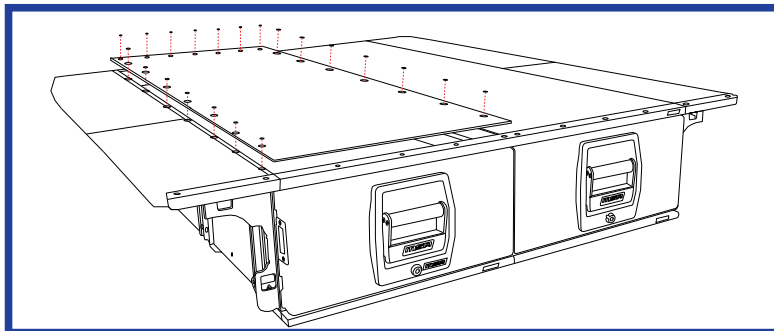


FIG. 26



FIG. 26a

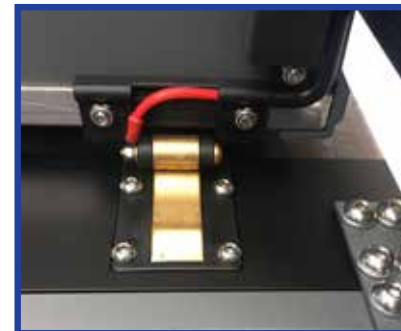


FIG. 27



FIG. 28

- 8** You can now see the internal workings of the drawer system. Remove the two black injection moulded guide stopper blocks by removing the 4 x 4mm allen head bolts in each block. This is best done with a small hex bit attached to a flexible drive shaft and a cordless drill. **(FIG. 29 & 29a)**
- 9** Repeat this on the opposite side of the drawer.
- 10** Once both blocks are removed, the middle aluminium extrusions on each side of the drawer can be carefully slid forward until the drawer is clear of the frame. **(FIG. 30 & 30a)**
- 11** The drawer can now be moved away, taking care not to allow the loose centre extrusion to run out.



FIG. 29



FIG. 29a



FIG. 30



FIG. 30a

16 DRAWER MODULE PREPARATION

RIGHT SIDE (DRIVER) DRAWER PREPARATION

- 1** If the drawer is going to be left open during installation, open the drawer to its full extension by pulling on the blue lock handle. Ensure drawer is pulled out to full 100% extension and the stay open devices are engaged in the base of the frame. Place a small piece of angular packing cardboard under the lock end of the drawer for support. **(FIG. 31)**
- 2** Carefully turn the drawer module upside down to rest on its top side.
- 3** Now install the base mounting frames to the underside of the drawer module. Please Note: Use the correct frame in the correct position facing the correct direction. **(FIG. 32)**
- 4** First install the front base frame by pushing the 10mm high tensile bolts with tabs on the head into the pre-cut slots on the underside of the base frames **(FIG. 33)**
- 5** Place the base frames and bolts on the underside of the drawer module and push the bolt threads through the pre-drilled holes in the frame.
- 6** Now reaching under the frame, install the square, round and spring washers and high tensile nut on each bolt on each side of the frame. **Note: Leave these nuts loose until final assembly in the vehicle. (FIG. 34 & 34a)**
- 7** Now repeat the process for the rear frame.
- 8** If this is a double drawer installation, install the base frames on the other drawer module.



FIG. 31



FIG. 32



FIG. 33



FIG. 34

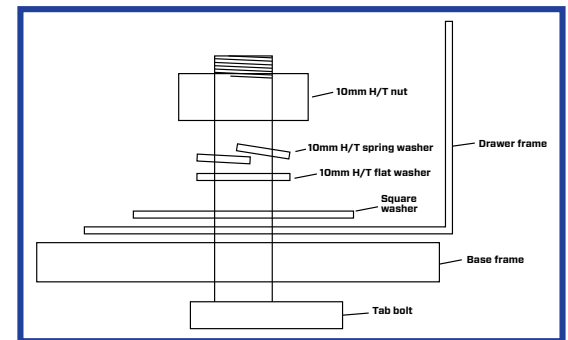


FIG. 34a

- 9** It is now time to install the carpeted base trim panels to the front underside of the front of the drawer frame. There are 7 pre-drilled holes in the carpeted panel. Ensure that the holes are clear and then push through the M5 x 30mm counter sunk head bolts. Start all 7 bolts to the underside of the frame threads before tightening. After all bolts are started, then the panel can be completely tightened down. **(FIG. 35, 35a & 35b)**
- 10** If this is a double drawer installation, now install the second panel on the other drawer.
- 11** The carpeted wing face panel on the 150 Prado needs to be bolted to the front of the wing bracket 1A (right hand drawer installation) after the drawer frame is installed into the vehicle. This can be assembled now and set aside. Attach the panel to the bracket with the 2 x M6 x 30mm counter sunk head bolts and nyloc nuts behind the bracket. Install both bolts through the panel and bracket and then gently tighten both, taking care not to pull the bolt head too far into the carpeted panel. Set the panel and bracket assembly aside for installation into the drawer frame at a later time. **(FIG. 36 & 36a)**
- 12** Repeat this process for the left hand drawer module with bracket 4A. **(FIG. 37)**



FIG. 35



FIG. 35a



FIG. 35b



FIG. 36



FIG. 36a



FIG. 37

18 DOUBLE DRAWER INSTALLATION

PLEASE FOLLOW THESE DRAWER MODULE INSTALLATION INSTRUCTIONS TO ENSURE THAT YOUR NEW EXPLORER ALUMINIUM STORAGE DRAWER SYSTEM IS INSTALLED CORRECTLY.

- 1** First fold the rear of the front floor carpet piece out of the way and tape down to avoid interference when aligning mounting bolts. **(FIG. 38)**
- 2** With assistance, carefully place the RHS drawer module into vehicle.
- 3** It is now time to install the M10 x 30mm High Tensile bolts and washers in to the existing vehicle threads through the base frames. Note: There are 4 x M10 High Tensile factory bolts used for each module in the 150 Prado.
Note: There are 2 x 75 x 38 x 2mm spacers and washers supplied in bag 5 which can be placed between the frame and the floor to ensure the drawers are mounted level.
- 4** **Note: Leave all 4 x bolts loosely installed and hand tight until module is aligned. (FIG. 39, 39a, 39b & 39c)**
- 5** Now place the LHS drawer module into the vehicle and repeat the mounting bolt installation process.
- 6** **Note: If a double drawer installation is being done, leave all 8 x M10 bolts loose and hand tight until both RHS and LHS modules have been joined.**



FIG. 38



FIG. 39



FIG. 39a



FIG. 39b



FIG. 39c

- 7** When all 8 x M10 High Tensile bolts have been loosely installed it is now time to join the drawer frames.
- 8** There are 8 x M8 Allen Head bolts and nyloc nuts used to join the drawer frames. Starting at the rear of the frame towards the top, place an M8 bolt through the two top holes that are aligned in the frames for joining. It is easiest to use a cordless drill with adaptor and an M5 hex head socket bit and a 13mm spanner. Place the M8 nyloc nut on the other side of the frame. **(FIG. 40)**
- 9** Working forwards install all 4 of the top row of M8 bolts in the same manner.
- 10** Working from the front back now install the bottom 4 x M8 bolts and nuts.
Do not install the front lower mounting bolt as it will interfere with the base frame mounting bolt.
- 11** Starting at the rear top of the frame, ensure frame tops are perfectly level and tighten the rear top bolt then tighten the front top bolt and the remaining bolts.
- 12** It is now time to install the front wing brackets with the face panel already bolted. Install the 4 X M6 bolts and washers from inside the drawer frame through the aligning holes and into the bracket. Start all 4 bolts and then ensure the bracket is square and tighten all 4 bolts. Repeat the process for the other side drawer if it is a double drawer installation.
(FIG. 41, 41a & 41b)

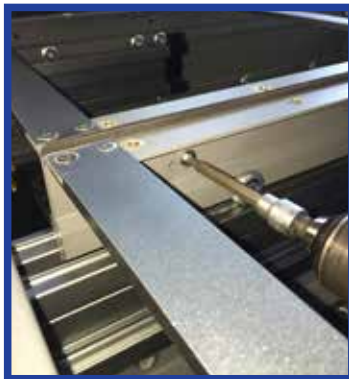


FIG. 40



FIG. 41



FIG. 41a



FIG. 41b

20 DOUBLE DRAWER INSTALLATION

- 13** Clip the seat belts out of the way in the factory seat belt clip. **(FIG. 42)**
- 14** Now install bracket 3A to the RHS drawer module with the 2 x M6 x 25mm bolts, push the bolts through the aligning holes in the frame and bolt into the threads in the 3A bracket. Start both bolts, then align the bracket and tighten both bolts. **(FIG. 43 & 43a)** Install the bracket 3 on the left hand side drawer module using the same process. **(FIG. 44 & 44a)** **Note: Only the top two bolts are used in these two brackets.**
- 15** There is a carpeted wing panel supplied in the wing kit. This panel needs to have the 2 x C clips installed to the underside. Install the two black C clips on each wing panel by installing 2 x M4 allen head bolts and firmly tighten without crushing the clip. **(FIG. 45)**



FIG. 43



FIG. 43a



FIG. 44



FIG. 44a



FIG. 45

- 16** Now place the wing panel into the vehicle and clip into the wing bracket. Repeat the process for each drawer module. This will help centralise the drawer frame into the vehicle. **(FIG. 46 & 46a)**
- 17** Now the drawer frame should be well aligned in the centre of the vehicle.
- 18** Starting at the very rear of the frame, tighten the outside bolts attaching the frame to the vehicle. Now tighten the opposite side rear bolts. **(FIG. 47 & 47a)**
- 19** Tighten the front 4 bolts attaching the frame to the vehicle. **(FIG. 48)**
- 20** Now tighten the remaining 8 nuts that attach the base frame to the drawer frame. **(FIG. 49)**
- 21** Now is the time to take care of any wiring to the drawer frames. The power supply to the frames can be joined by feeding 4mm twin core wire protected in convoluted tubing, under the drawers in the base of the frame. Please be sure to cable tie or tape these wires out of the way of the sliding drawer base.



FIG. 46



FIG. 46a



FIG. 47



FIG. 47a



FIG. 48



FIG. 49

22 DOUBLE DRAWER INSTALLATION

DRAWER RE-INSTALLATION

- 22** Now it is time to place the drawers back into the frame. First remove the fuse in the power supply to the drawers, as allowing the drawer frame to touch the main frame may blow the fuse. The best way to re-install the drawer into the frame is to rest the rollers at the rear base of the drawer into the end of the contacts on the base frame (**FIG. 50**) Then, hold the drawer horizontally parallel with the frame and then slide the two centre slide extrusions in to the roller bearings. (**FIG. 51 & 51a**)
- 23** After the centre extrusion has passed the middle roller bearings, the rear stopper blocks can be re-installed by placing the blocks in the aligning holes and tightening the 4 x M4 allen head bolts on each side. Please ensure all these 8 bolts have the spring washers installed. Do not over-tighten these bolts, just firm is enough (a 7-9 on the screw clutch setting on a cordless drill is a good guide). Repeat this process for the second drawer. (**FIG. 52**)
- 24** The fuse to the power supply can now be installed and the drawer LED strip lights check for function.
- 25** Now check that the power supply to the drawers is functional by opening the drawer to full extension so that the brass electrical contacts under the rear of the drawer frame, make contact. Check switch function. The LED Strip inside the drawer should light up. When pushing the drawer back in to the frame, the LED light will immediately switch off, to prevent the light from accidentally being left on.

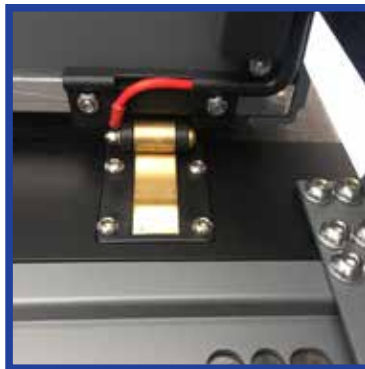


FIG. 50



FIG. 51



FIG. 51a



FIG. 52

- 26** The top panels can now be installed back onto the drawer frames. Place the panel in position and locate a M6 bolt thread in each corner of the top. **(FIG. 53 & 53a)**
Ensuring the 4 corner bolts have started, the remaining 13 x M6 top hex head bolts can now be re-installed and tightened. These need only enough torque to pull the bolt head down to carpet level.
Note: A very low 3 torque setting on a cordless drill is enough to tighten these bolts.



FIG. 53

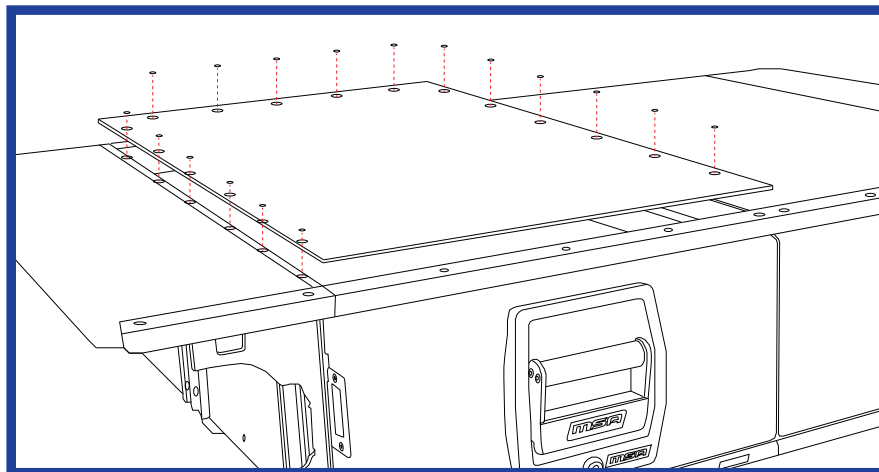


FIG. 53a

24 DOUBLE DRAWER INSTALLATION

- 27** The double width top panel trim can now be installed. Push the trim firmly over the end of the double carpeted panels and centralise. Install the 10 x small stainless steel countersunk self-tap screws in the trim taking particular care to install them in a perfect vertical line. **(FIG. 54, 54a & 54b)**
- 28** The matching wing panel trims can now be installed using the same process. **(FIG. 55)**
- 29** The drawer System is now completely installed and ready for use. **(FIG. 56)**

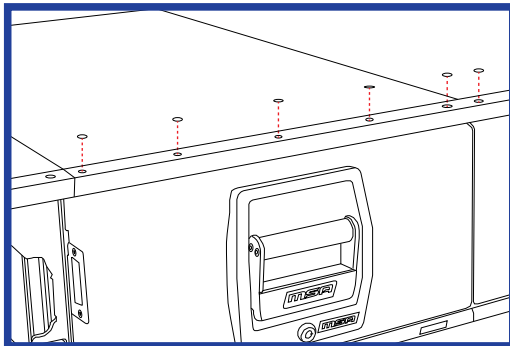


FIG. 54



FIG. 54a



FIG. 54b



FIG. 55



FIG. 56

- 30** If a slide is to be mounted to the top of the drawer panels, the wing panels can be bolted down to the brackets with 4 x M6 countersunk Allen Head bolts supplied in the wing kit. Use a sharp pointed device to locate the 4 x holes under the carpet in the wing panels. The 4 x M6 bolts can then be installed through these holes into the threads in the wing brackets and tightened down to a flush carpet level. There are 4 x M6 bolts in each panel. **(FIG. 57)**
- 31** If carpet is to be installed on the side of the drawer, this can be installed using a spray contact adhesive. (Single drawer side frame carpet pieces can be purchased for your Explorer Aluminium Storage Drawer System).



FIG. 57

26 SINGLE DRAWER INSTALLATION

SINGLE DRAWER INSTALLATION

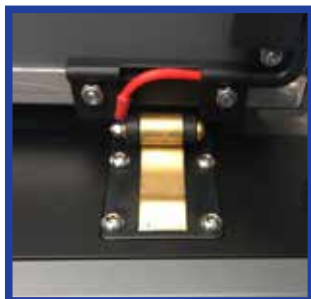
Refer to double drawer installation **pages 18 - 25**, ignoring any instructions referring to double drawers.

The MSA 4X4 Aluminium Drawer systems have been expertly designed to allow easy removal of the drawers from the frames if needed, without the need to remove the top decks of the system.

- 1** Open the drawers to full extension and the stay open contacts engage at the underside rear of the drawer. **(FIG. 58)**
Support the front of the drawer with some packing cardboard if possible. **(FIG. 59)**
- 2** Remove the fuse from the power supply to the drawers.
- 3** On either side of the sliding frame are two black injection moulded stopper blocks. These two blocks need to be removed to remove the drawer from the frame.
- 4** With a small screwdriver, pry the end cap away from the block, taking care not to mark the cap. Once removed, this will then give access to 4 x M4 allen head bolts with spring washers. **(FIG. 60)**
- 5** Remove these 4 bolts on each side with a hex bit and take care not to lose the washers. **(FIG. 61 & 61a)**
- 6** After the two blocks have been removed, the two middle pieces of the over extension slide can be slid back into the frame and out of the way. **(FIG. 62)**
- 7** The drawer is now completely free from the frame and just resting on the contacts. It can be lifted away from the frame.

To re-install the drawers, follow the procedure in reverse, taking care to align the middle sliding extension carefully to not cause any marking.

- 1** Sit the drawer rollers on the two contacts at the front of the frame. **(FIG. 58)**
- 2** Push the drawer three quarters of the way in to the middle slide extension while pulling the extensions out forward towards the front of the drawer frame. The stopper blocks can now be installed in both sides, taking care not to over-tighten. When all 8 bolts are installed and tightened, then replace the two end caps.
- 3** Replace the fuse in the power supply.

**FIG. 58****FIG. 59****FIG. 60****FIG. 61****FIG. 61a****FIG. 62**

28 OPERATING INSTRUCTIONS

- 1** To open the drawer, turn the supplied key to the right, then remove the key and pull on the blue aluminium handle. This will release the drawer from the frame.
- 2** For LED strip light function; pull the drawer out to full extension – the drawer will roll over the first (small stage) of an electrical bumper to supply power to the LED strip light.
- 3** To keep the storage drawer open on a slope; pull the drawer out a little further, the electrical contact will remain working and the drawer will then roll onto a stronger stage bumper which is the patented stay open/electrical contact device. This will keep the drawer open.
- 4** The LED strip light can be turned off by the recessed switch on the outer side of the front panel. The LED strip light will only work when the drawer is fully open. This prevents leaving the light on and closing the drawer.
- 5** To close the storage drawer; the drawer can be pushed closed without pulling the handle, a small push on the drawer face will push the drawer rollers over the stay open device.
- 6** The drawer can be pushed shut and key locked if necessary.

- Clean any exposed parts regularly to ensure that bearings and bearing tracks remain free from dirt, sand and grit, and spray bearings with INNOX Plus MX5.
- Wipe down powdercoated aluminium panels with clean, warm, soapy water using a soft cloth. Do not use harsh chemicals or thinner based cleaners on your Explorer Aluminium Storage Drawer System.
- If Aluminium panels are gouged, chipped or scratched, try touching up the damaged area with closely matching paint.
- The LED Strip Light is designed to turn on at full extension.
If the LED strip does not light up on full extension - first check power supply then check the brass contacts are clean underneath the rear of the drawer - check that the fuse in the fuse block is ok.
- Carpet can be vacuumed - or wiped with a wet sponge.
- Trim can be touched up with a black permanent marker pen.

30 LIFETIME GUARANTEE



Address:

43 Harrington Street,
Arundel QLD, 4214

ABN: 50 150 429 566

Phone:

+61 7 5594 6664

Email:

sales@msa4x4.com.au

Website:

msa4x4.com.au

All MSA 4X4 Accessories products are designed and manufactured to the highest quality standards to perform as they should. We stand behind our products with a Lifetime Manufacturer's Warranty. All claims under this warranty should be made by returning the product at your cost to MSA 4X4 Accessories Pty Ltd, 43 Harrington Street, Arundel, QLD 4214, with the detail of the fault, proof of purchase, proof of identification and vehicle fitment details where relevant. Lifetime manufacturer's warranty applies to the original purchaser only.

If we determine that an MSA 4X4 Accessories product is defective in materials or workmanship during the Lifetime Warranty, we will either repair or replace the product. Repair or replacement is solely at the discretion of MSA 4X4 Accessories Pty Ltd. This warranty does not apply to failure or damage caused by incorrect or faulty fitment, accidental or intentional damage, misuse or abuse, failure of other products, operation of the product outside of its environmental or technical specifications, or repair or modification carried out by anyone other than MSA 4X4 Accessories Pty Ltd. No charges will be accepted for external labour or materials.

Lifetime warranty is applicable to all MSA 4X4 Accessories Fridge Slides, Fridge Barriers, Storage Drawers, and steel or aluminium products, excluding MSA 4X4's Driving Mirrors & Power Panels. MSA 4X4 Accessories Lifetime warranty does not cover any coating faults, rust, scratches, chips, carpet or battery packs. Fabric product Lifetime Warranty covers all manufacture and fabric components. Lifetime Warranty will not cover any fading of fabrics.

MSA 4X4 Accessories products are designed for lifestyle applications. Due to the harshness of the mining environment, MSA 4X4 Accessories products used in mining applications that may be operating outside of their environmental and technical specifications, are therefore excluded from a Lifetime Warranty. MSA 4X4 Accessories products used in mining applications are warranted for up to 1 year.

Our goods come with guarantees that cannot be excluded under the Australian Consumer Law. You are entitled to a replacement or refund for a major failure and for compensation for any other reasonably foreseeable loss or damage. You are also entitled to have the goods repaired or replaced if the goods fail to be of acceptable quality and the failure does not amount to a major failure.