



www.Hsputelids.com

1300 441 498

Part No: DM18 & MBT18

Fitting Time: 45mins



**ISUZU D-max 07/20+ &
MAZDA BT50 09/20+**

HSP TAIL LOCK

FITTING INSTRUCTIONS

—GENERAL NOTES

- Read through the fitting instructions prior to installation of accessory.
- Ensure all recyclable components and packaging are discarded and recycled following local recycling regulations.
- Safely store and protect any removed vehicle components.

—SAFETY NOTES

- Check that all work practices comply with safety standards.
- Please wear appropriate clothing and use safety equipment.

—FITTING TIME



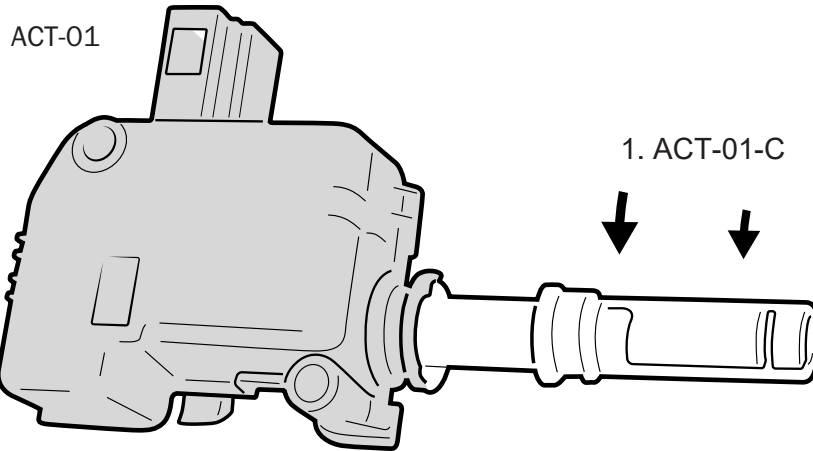
45mins

—PARTS SUPPLIED

Part Description	Part Number	Quality/ Length	CHECK LIST
TAIL LOCK ASSEMBLY			
Main Bracket	DM18-A	1	
Tube	X18-B	1	
Actuator	ACT-01	1	
Wiring	CL-LOOM-LONG	1	
Patch Wiring	DM-PATCH	1	
Lever	X18-C	1	
FASTENERS			
Actuator Screws	36	2	
Lever Bolt	32	1	
20mm M6 Bolt	16	1	
12mm M6 Bolt	1	1	
OTHER			
Cable Ties		5	
Fitting Instruction		1	

—STEP 1—

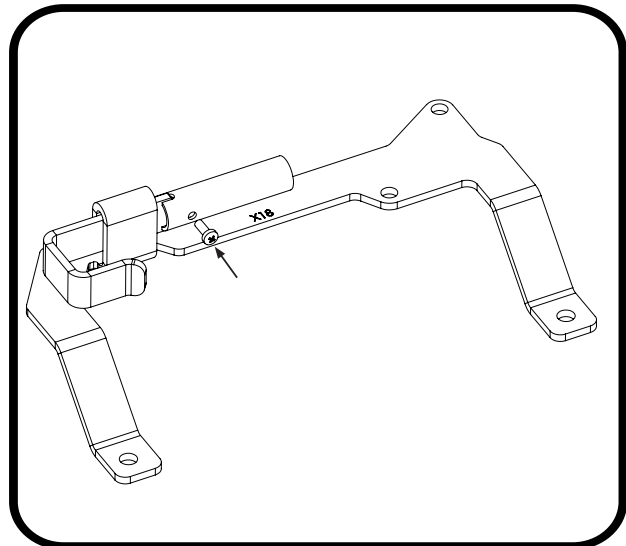
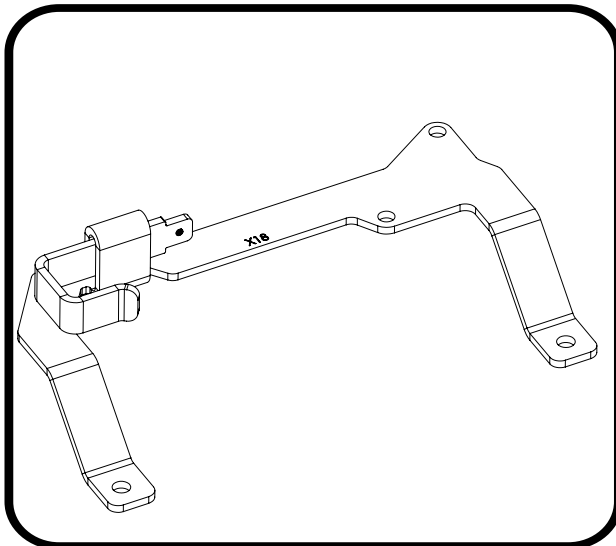
Fit rod into actuator as shown. Push Plastic striker on to the actuator till it clicks into position.



—STEP 2—

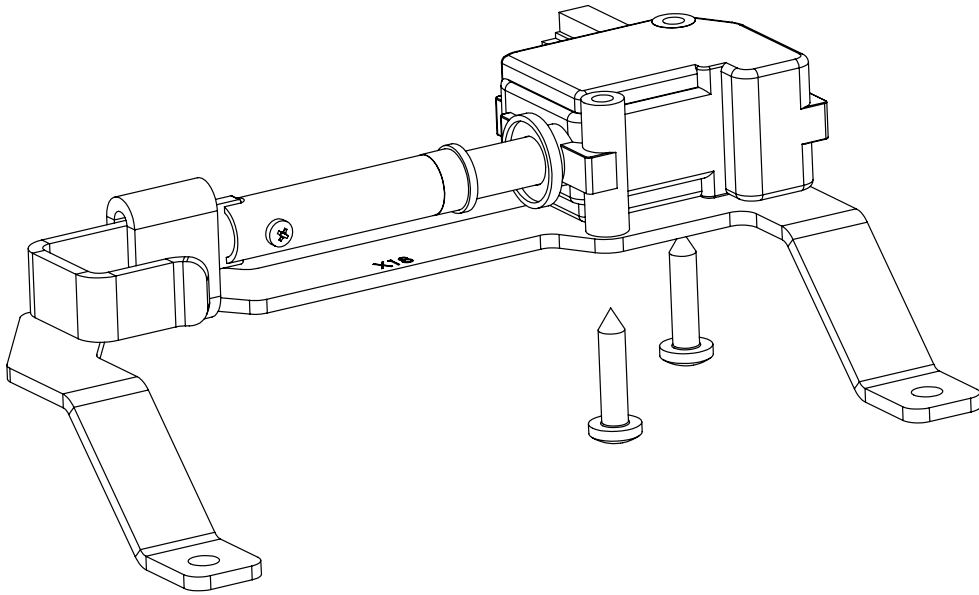
Fit the lever through main braket bend as shown.

Fit tube to lever and fasten the bolt as shown.



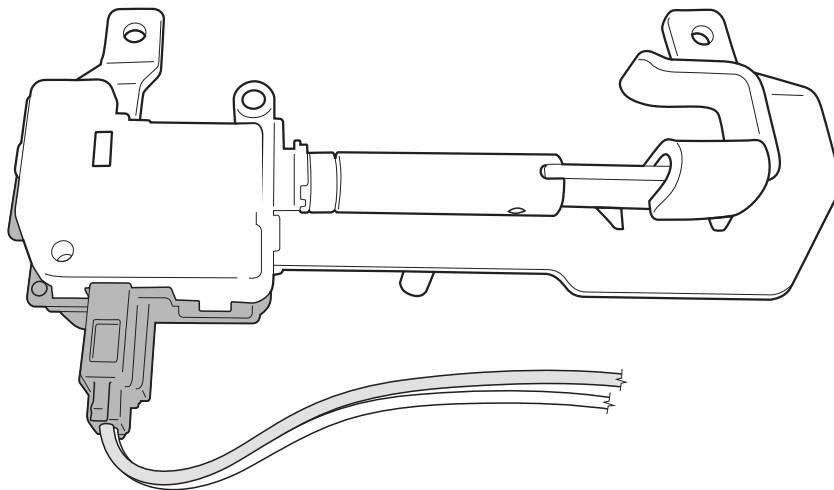
— STEP 3 —

Fit actuator to main bracket as shown.



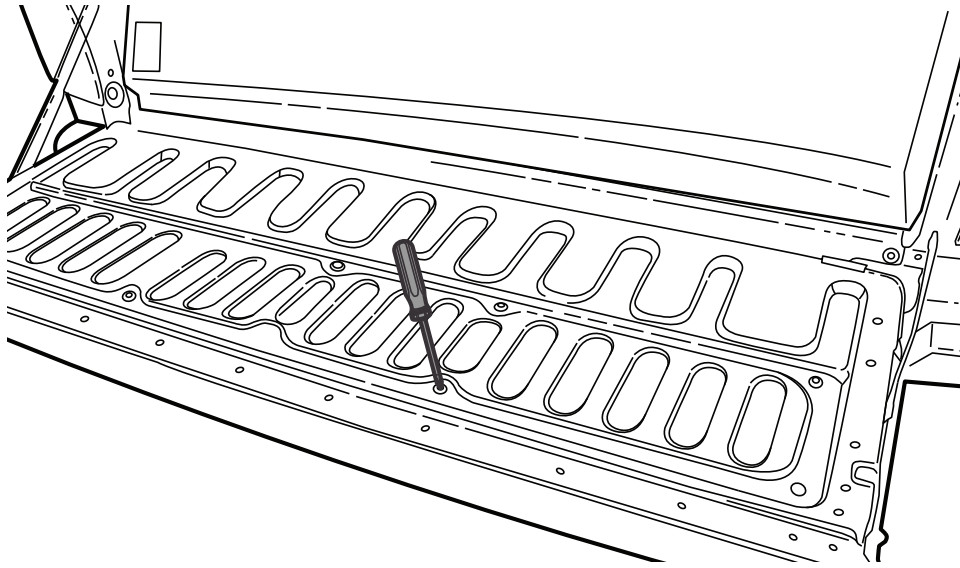
— STEP 4 —

Plug wiring to actuator.



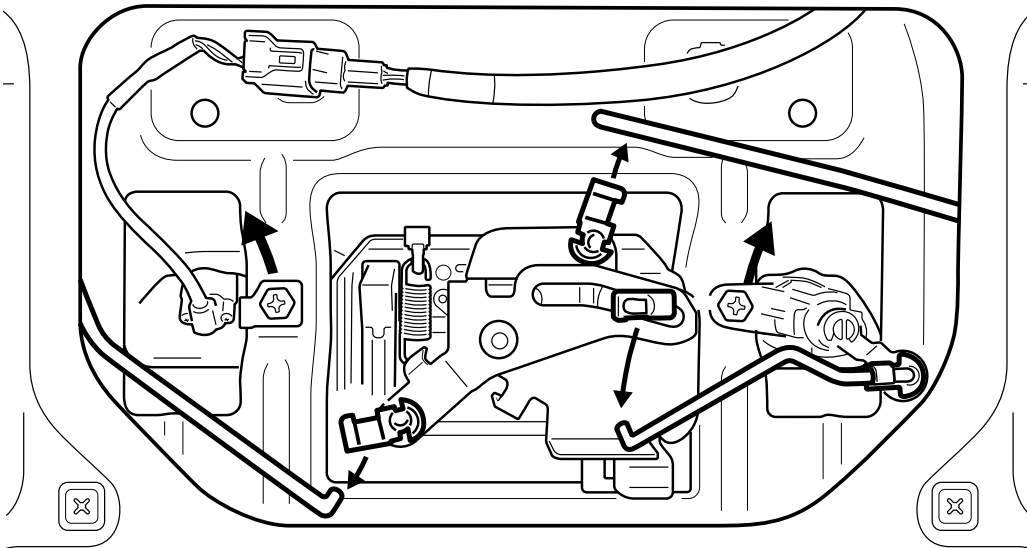
— STEP 5 —

Remove tail gate cover.



— STEP 6 —

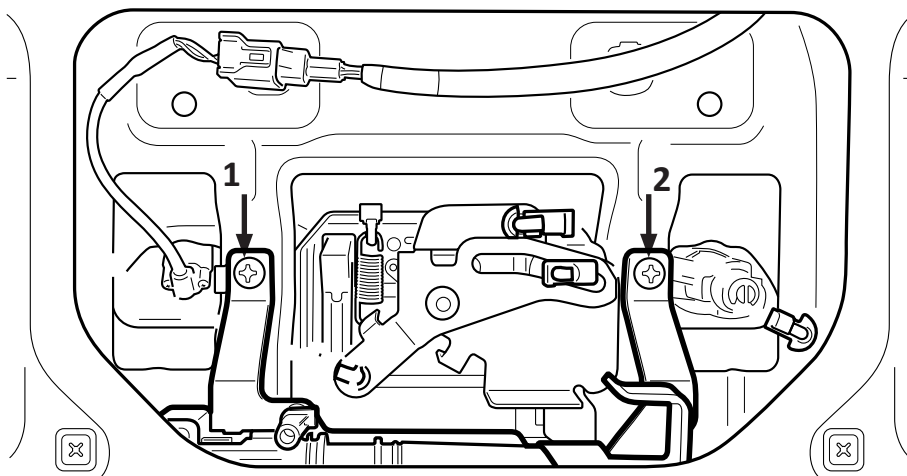
1. Disconnect the indicated rods.
2. Unfasten the indicated bolts and discard.



—STEP 7—

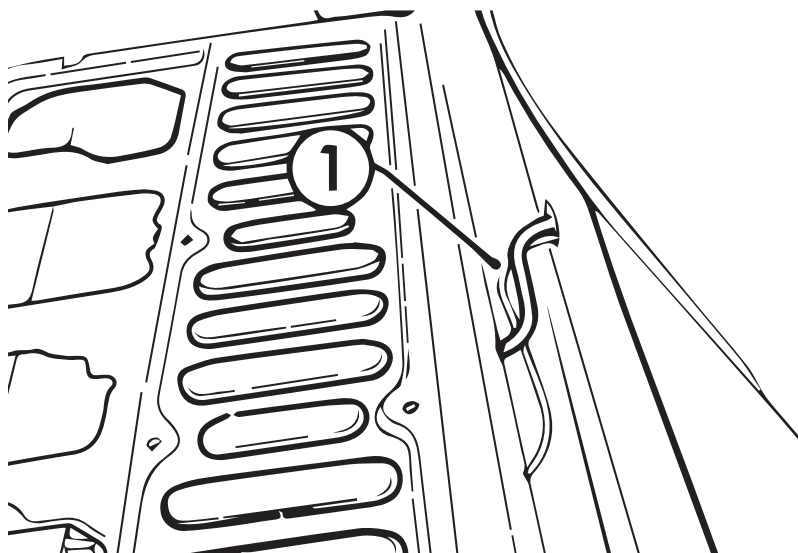
Fit Tail Lock bracket and indicated bolts. Then reconnect the previously removed rods.

- 1) Use the included 12mm M6 Bolt to fasten
- 2) Use the included 20mm M6 Bolt to fasten.



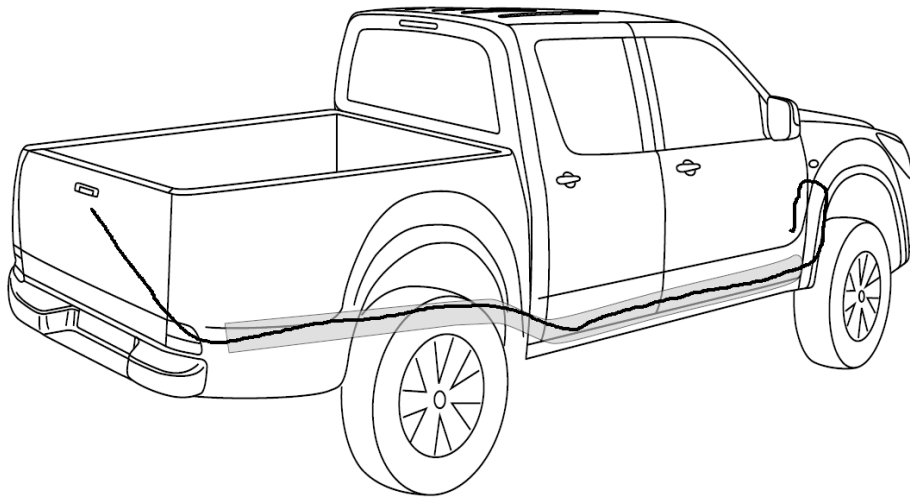
—STEP 8—

Run wiring from tailgate unde the car

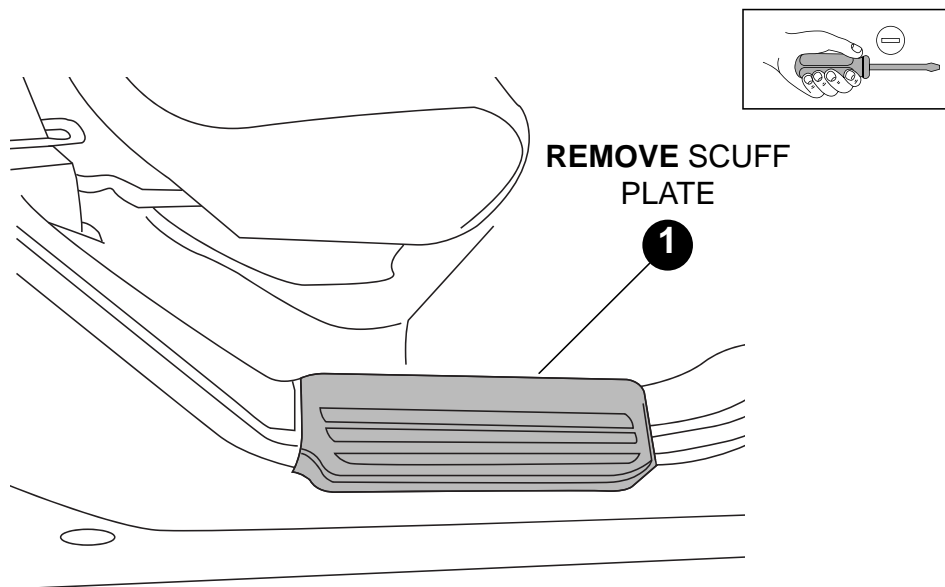


— STEP 9 —

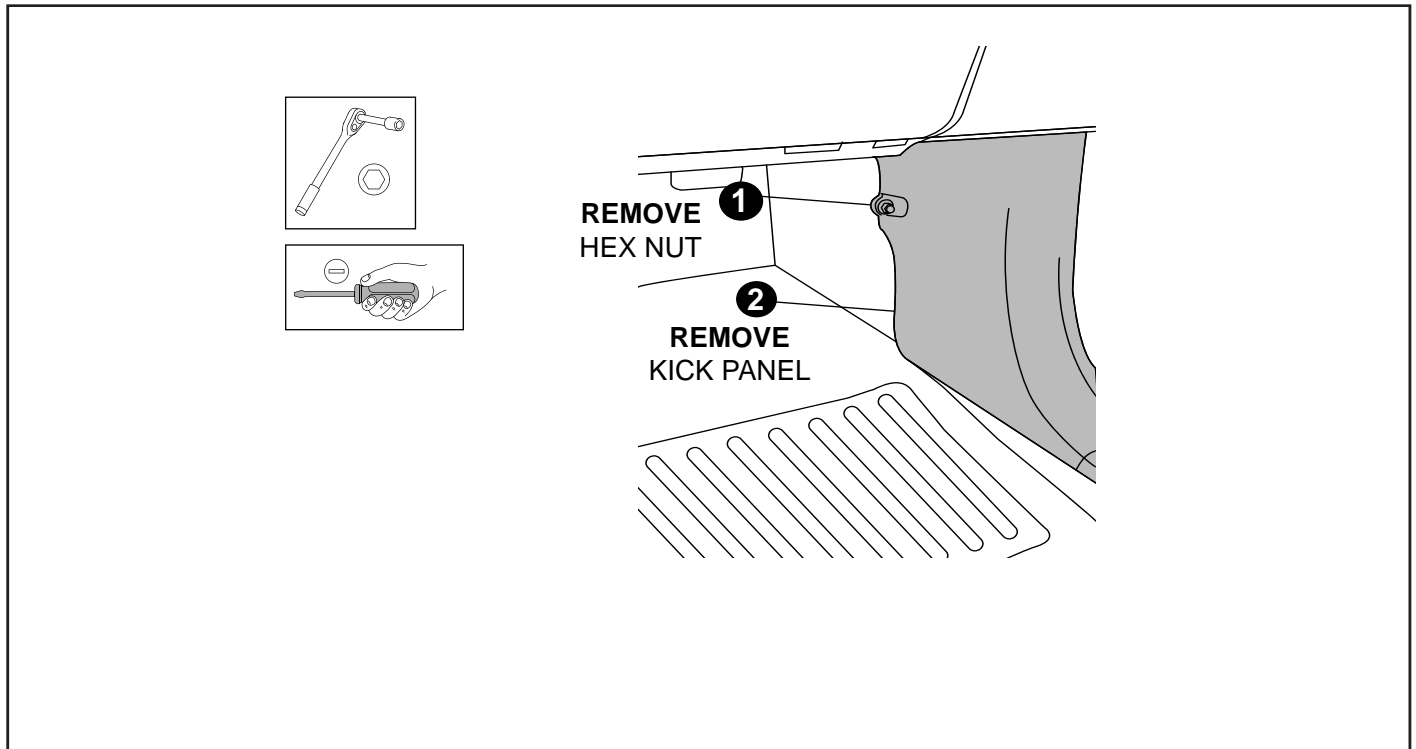
Run wiring from tailgate to front drivers side kick panel. Cable tie wiring every 500mm over chassis rail. Find the large grommet on the firewall, make a small incision & run the loom through it to enter the cab and towards the kick panel. Seal accordingly.



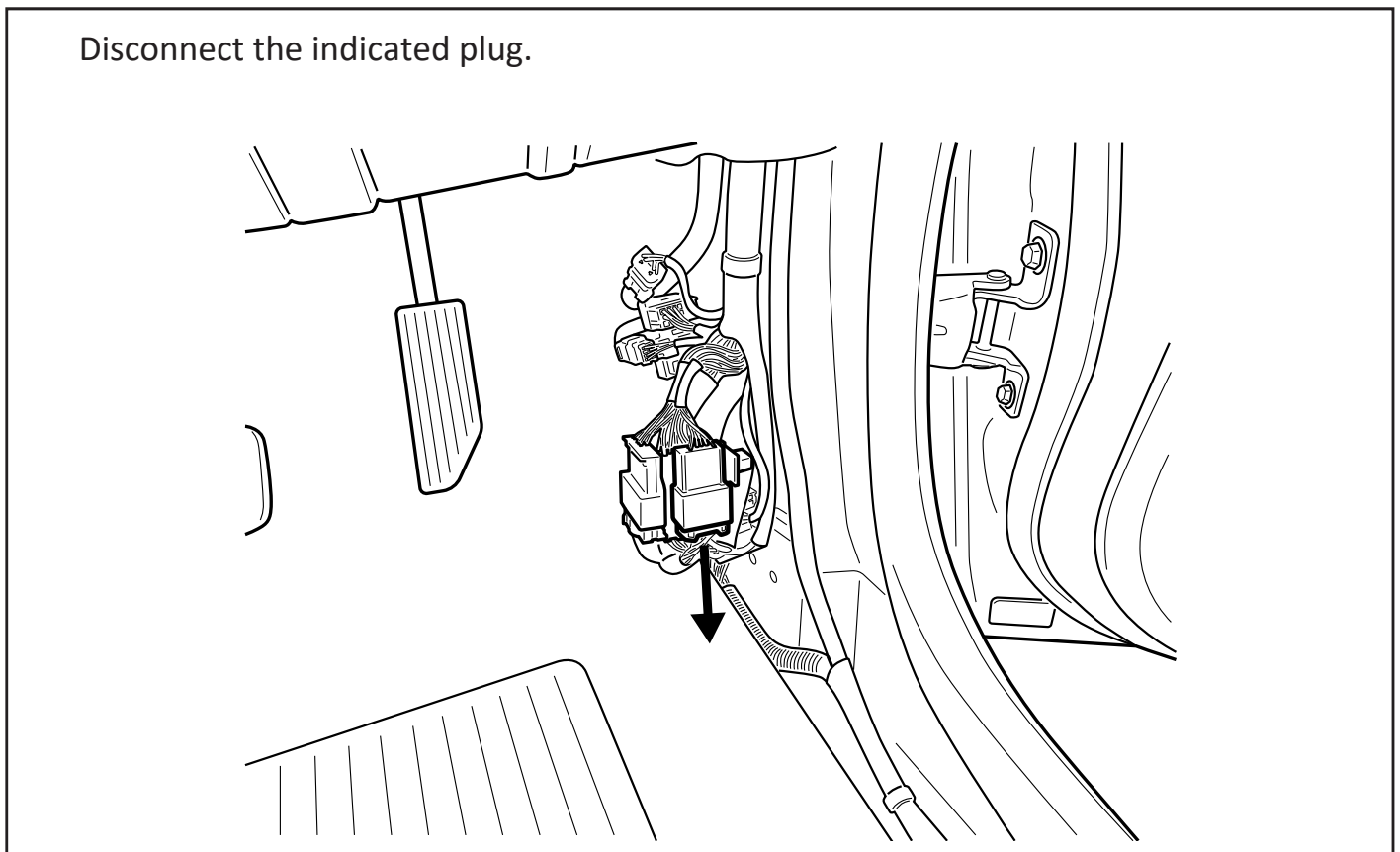
— STEP 10 —



—STEP 11—

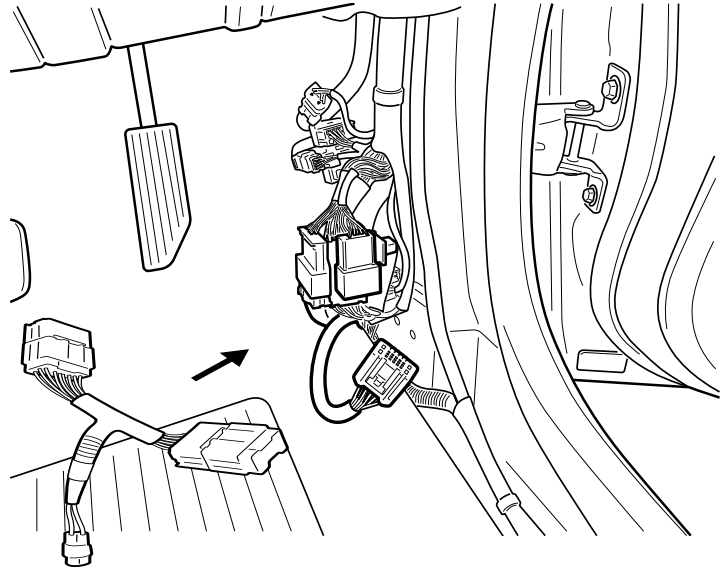


—STEP 12—



—STEP 13—

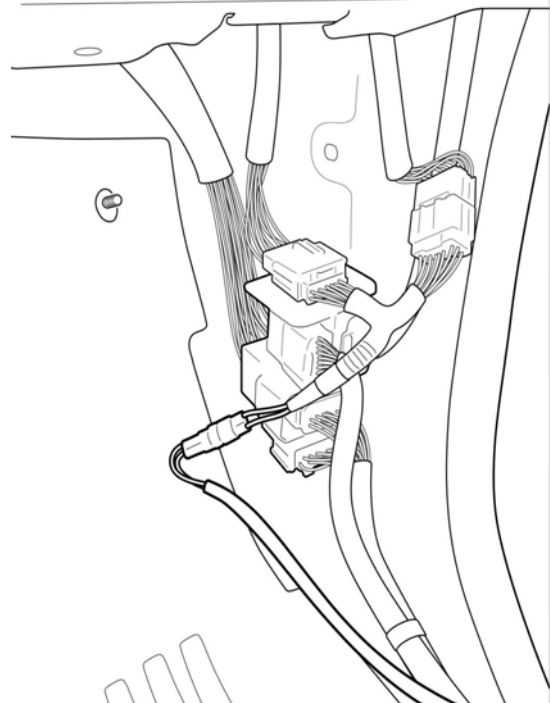
Connect DM-PATCH to the vehicle harness.



—STEP 14—

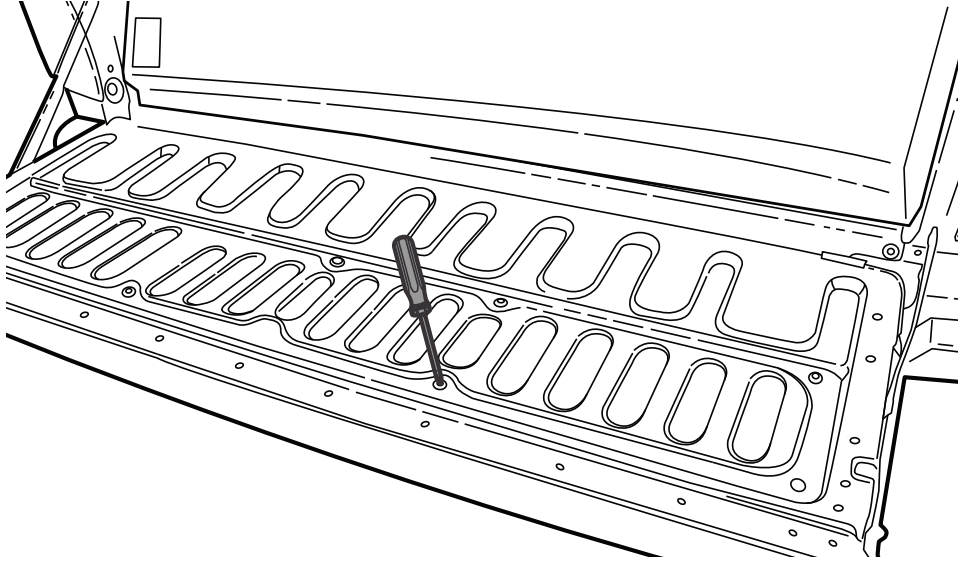
Plug CL-LOOM-LONG to DM-PATCH wiring.

Cable tie overhang of wires and assemble all panels removed earlier.



—STEP 15—

Place and fasten tail gate cover.



—FITTING COMPLETED—
