



WWW.HSPUTELIDS.COM

1300 441 498

Part No: C12 Fitting Time:
30 mins



HOLDEN COLORADO RG 2013 - 06/2016

HSP TAIL ASSIST

FITTING INSTRUCTIONS

—GENERAL NOTES

- Read through the fitting instructions prior to installation of accessory.
- Ensure all recyclable components and packaging are discarded and recycled following local recycling regulations.
- Safely store and protect any removed vehicle components.

—SAFETY NOTES

- Check that all work practices comply with safety standards.
- Please wear appropriate clothing and use safety equipment.

—FITTING TIME



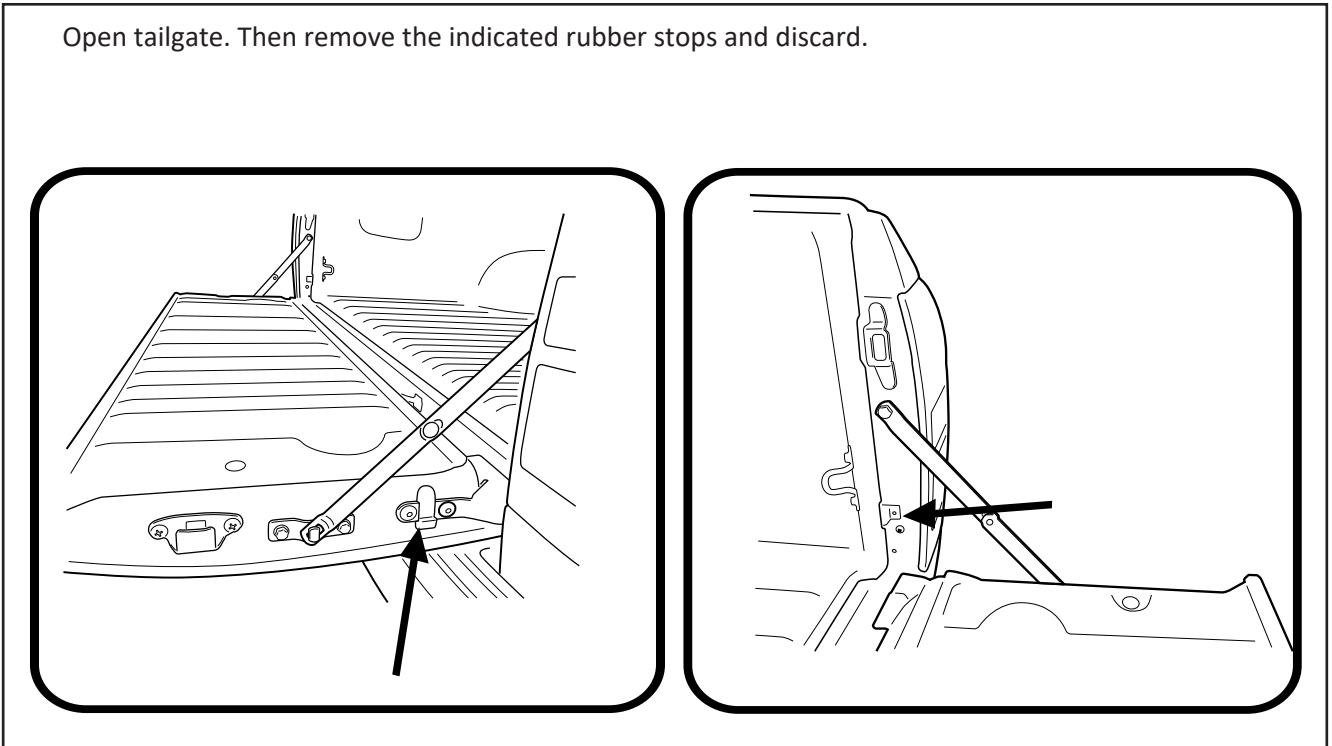
30 mins

—PARTS SUPPLIED

PART NUMBER	PART DESCRIPTION	QUANTITY
KSD-SPEC-3	Dampener strut	1
TRS-SPEC-3	Traction Strut	1
TA-04	Tailgate M8 ball bolt	2
TA-15	M8 Shoulder bolt- tub mount	2
TA-16	Strut locking bolt	2
CB1	TAILGATE CABLE	2
	<u>NUTS AND BOLTS</u>	
47	M8 x 20MM BOLT	2
	<u>OTHER</u>	
	Alcahole whipe	1
	Cable stop	2

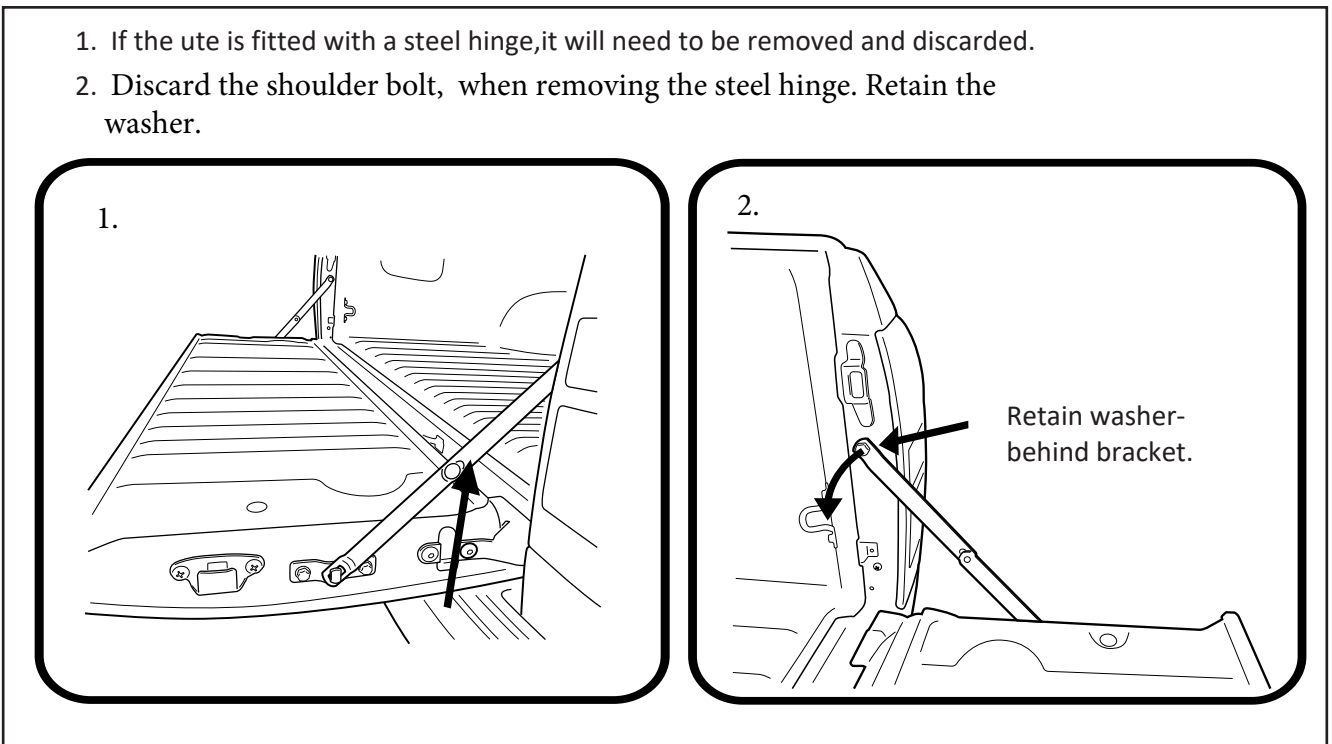
—STEP 1—

Open tailgate. Then remove the indicated rubber stops and discard.



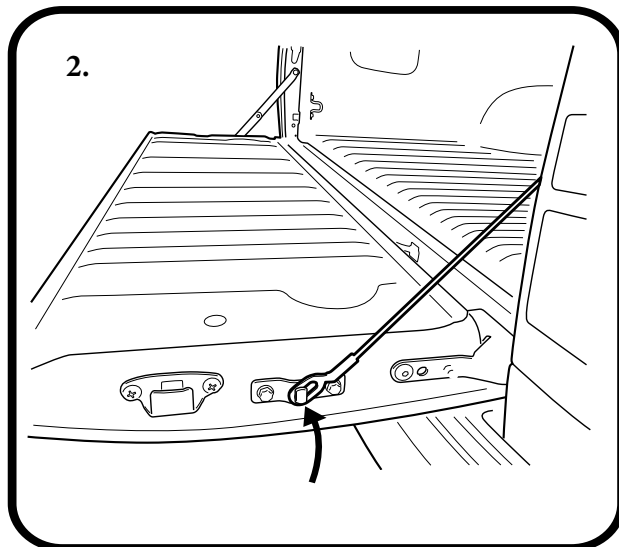
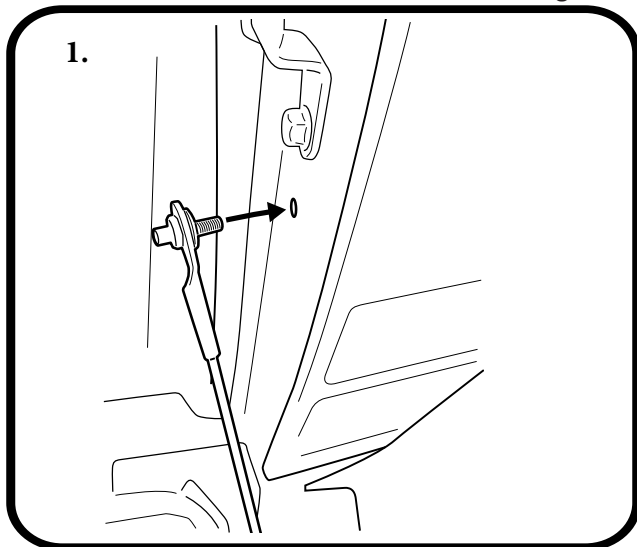
—STEP 2—

1. If the ute is fitted with a steel hinge, it will need to be removed and discarded.
2. Discard the shoulder bolt, when removing the steel hinge. Retain the washer.



— STEP 3 —

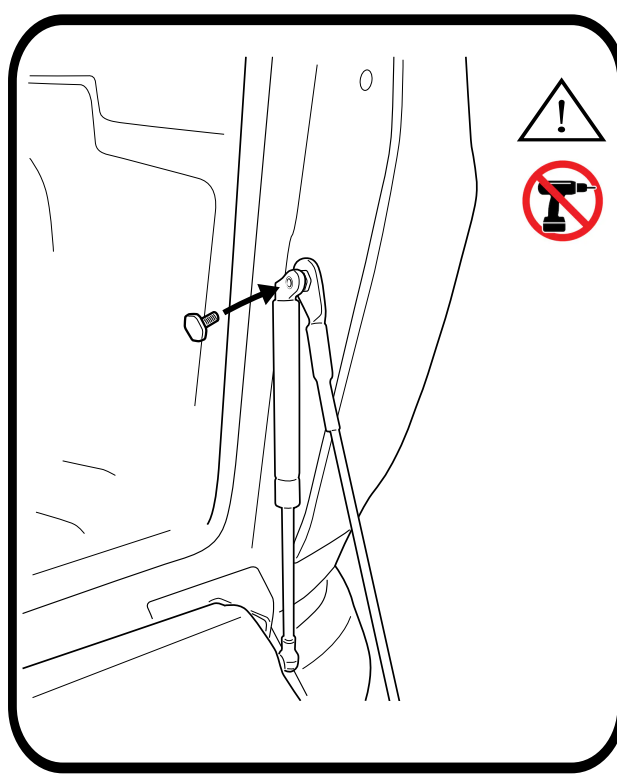
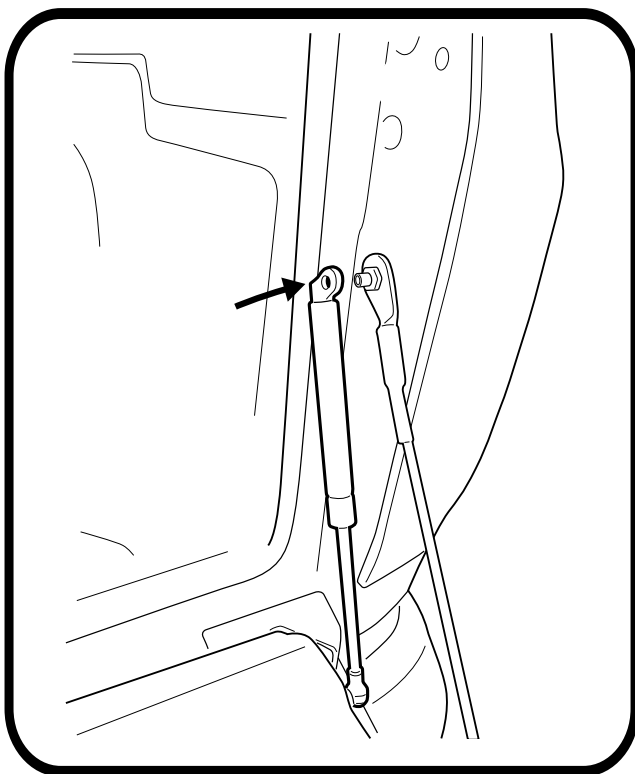
1. Feed part number(TA-15) M8 shoulder bolt trough strap (Cb1) followed by the retained washer. Now tighten.
2. Hook the slotted end of the cable to the tailgate bracket as indicated.



Now repeat the step on the passenger side.

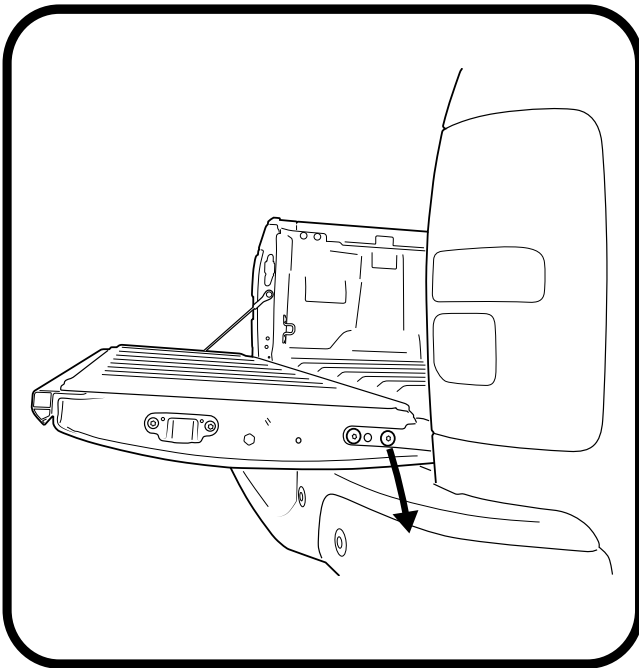
— STEP 4 —

Fit dampening strut, part number KSD cylinder end to the Shoulder of (TA-15) followed by strut locking bolt (TA-16) . **NOTE:** TA-16 Should be tighten to 2nm torque, Do not use power tools for this step.

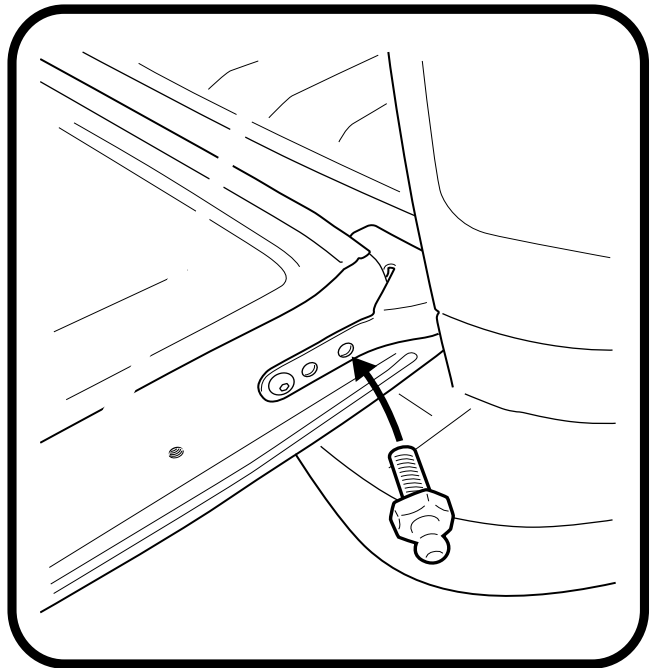


—STEP 5—

Remove indicated bolt, and discard.

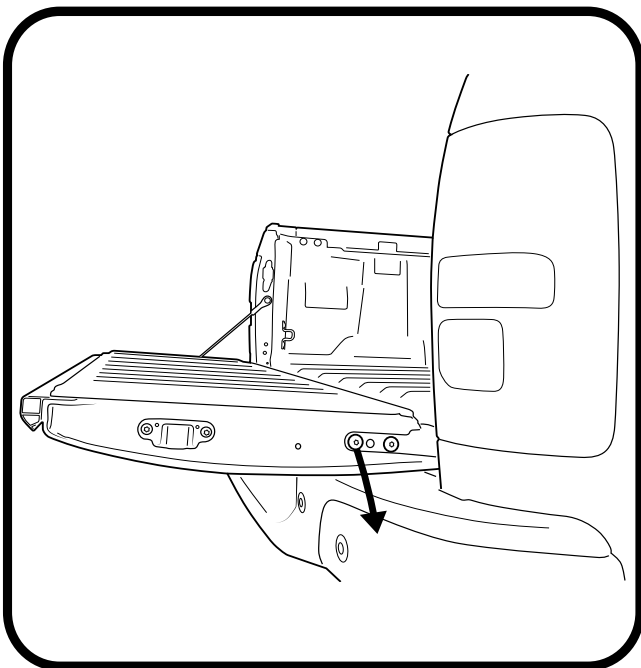


Replace and fasten with part no.TA-04 M8 ball bolt.

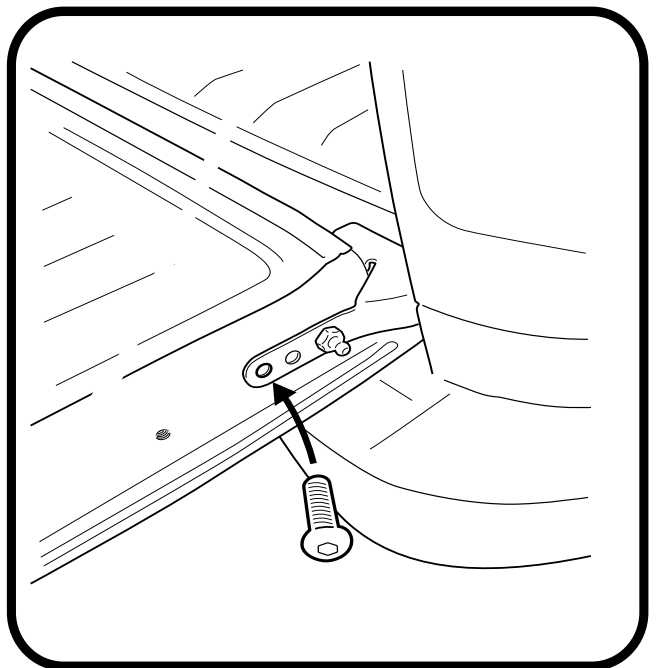


—STEP 6—

Remove indicated bolt, and discard.

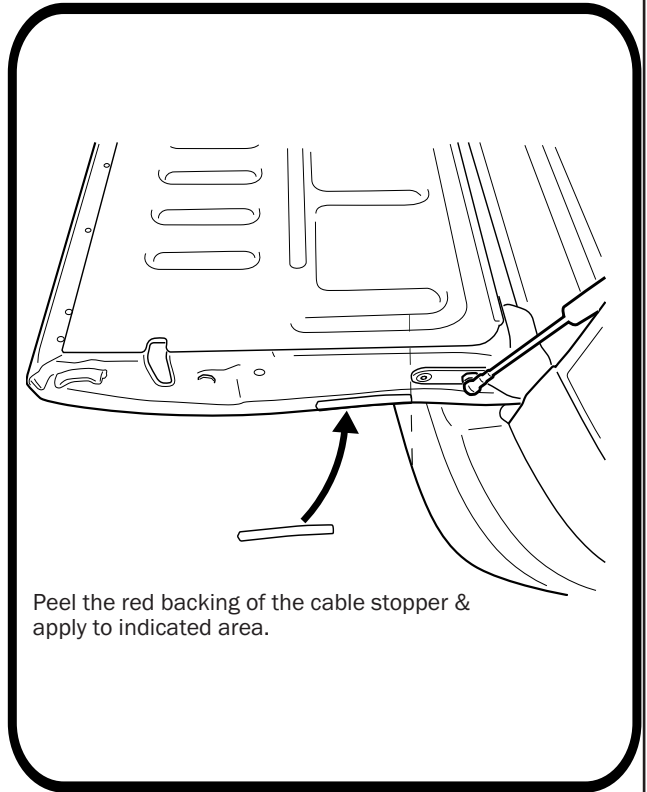
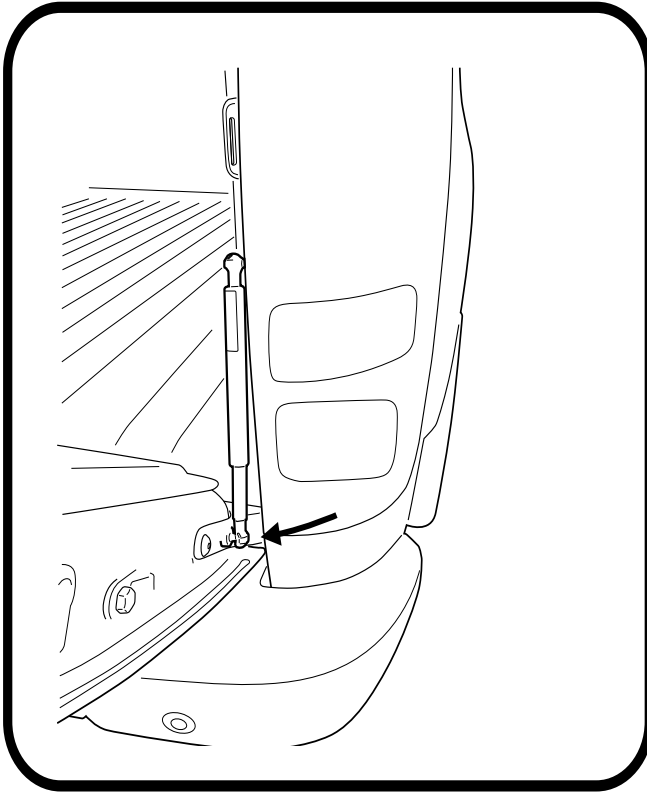


Replace and fasten with part no. 47 M8 bolt.



— STEP 7 —

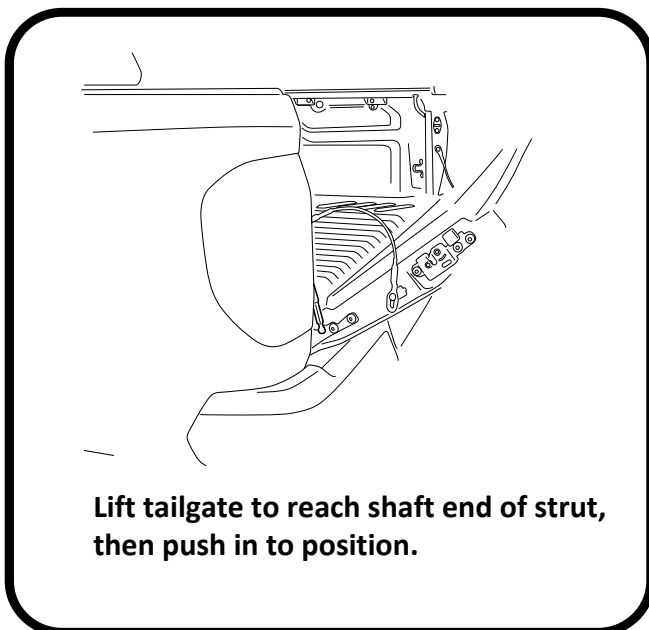
Now fit the shaft end of the strut to the stud ball on the tailgate.



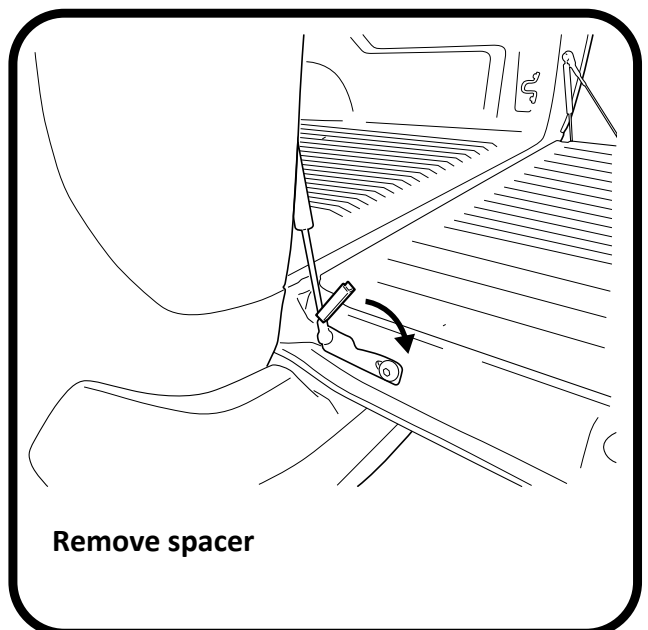
Peel the red backing of the cable stopper & apply to indicated area.

— STEP 8 —

Now repeat all the above steps on the drivers side.
NOTE: The passenger side Strut (part number TRS) has a spacer which will need removing once installed.



**Lift tailgate to reach shaft end of strut,
then push in to position.**



Remove spacer