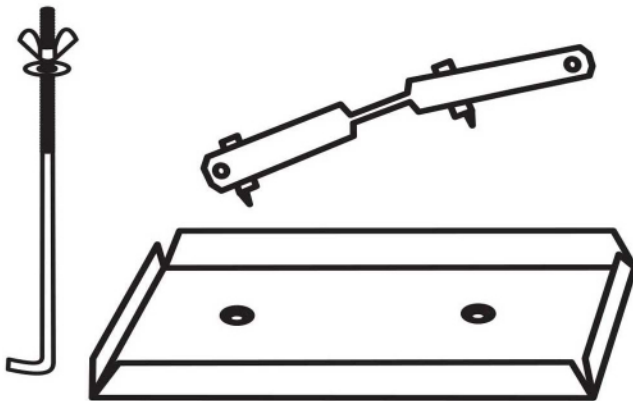


'Piranha Off Road products are not associated in any way with Toyota Australia or any of its related companies'

To Suit LANDCRUISER 100 SERIES  
1HZ 6Cyl 4.2 Diesel 1FZFE 6Cyl 4.5 Petrol



PART NUMBER	BT100
APPROX FITTING TIME	.5 Hours
MAX BATTERY SIZE	300mm L
MAX BATT WEIGHT	23Kg
CYCLE DUTY	
TRAY LOCATION	DSF



**PARTS INCLUDED WITH TRAY**

- 1 X Tray
- 2 X M6 Bolt (Countersunk)
- 2 X M6 Nut
- 2 X Body Washer
- 1 X M8 Bolt Short
- 1 X Special Top Mount
- 1 X J Bolt

**RECOMMENDED ISOLATOR**

**DBE140SF**  
or  
**DBE180-SX**

**FITTING INSTRUCTIONS**

**The cradle fits all 100 series petrol/diesel with 6 cylinder engine, not V8, and mounts to drivers side front.**

Two holes already exist, no drilling required. Top mount must be used only one "J" bolt required.

This is a very simple fit up.

**NOTE:** It is possible to put the BT100R 3rd tray in any 100 series if required.

**Ensure, before closing the bonnet that all items fitted have adequate clearance**