



WWW.HSPUTELIDS.COM

1300 441 498

Part No: B12

Fitting Time: 30 mins



Mazda BT50 2011+ (MY12)

HSP TAIL ASSIST

FITTING INSTRUCTIONS

—GENERAL NOTES

- Read through the fitting instructions prior to installation of accessory.
- Ensure all recyclable components and packaging are discarded and recycled following local recycling regulations.
- Safely store and protect any removed vehicle components.

—SAFETY NOTES

- Check that all work practices comply with safety standards.
- Please wear appropriate clothing and use safety equipment.

—FITTING TIME



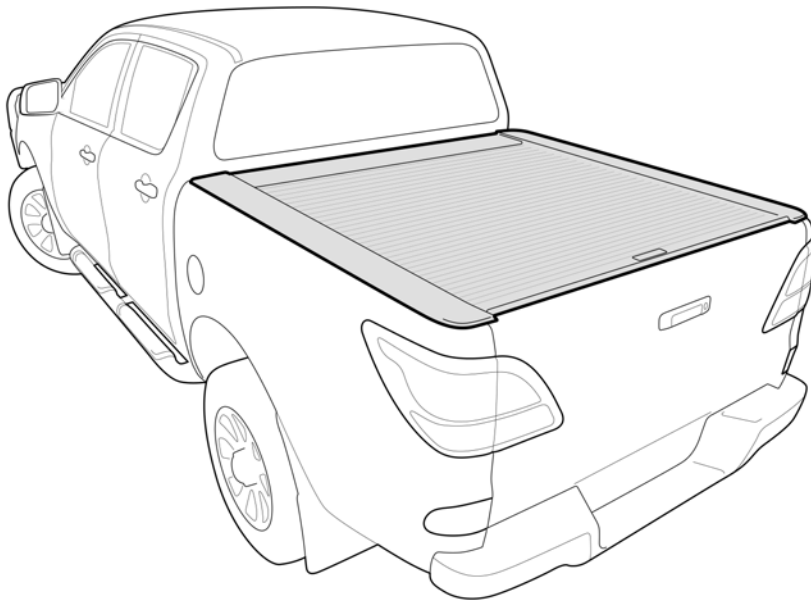
30 mins

—PARTS SUPPLIED

<u>PART NUMBER</u>	<u>PART DESCRIPTION</u>	<u>QUANTITY</u>	<u>CHECK</u>
KSD-SPEC-2	Dampener strut	1	
TRS-SPEC-2	Traction Strut	1	
TA-11RH	Tailgate mount R/H	1	
TA-11LH	Tailgate mount L/H	1	
TA-20	M8 Shoulder bolt- tub mount	2	
TA-16	Strut locking bolt	2	
	<u>NUTS AND BOLTS</u>		
21	M8 washer	2	
46	M10 x 16mm button socket black	4	
	<u>OTHER</u>		
T882	Cable stop	2	
	Alcahole whipe	1	

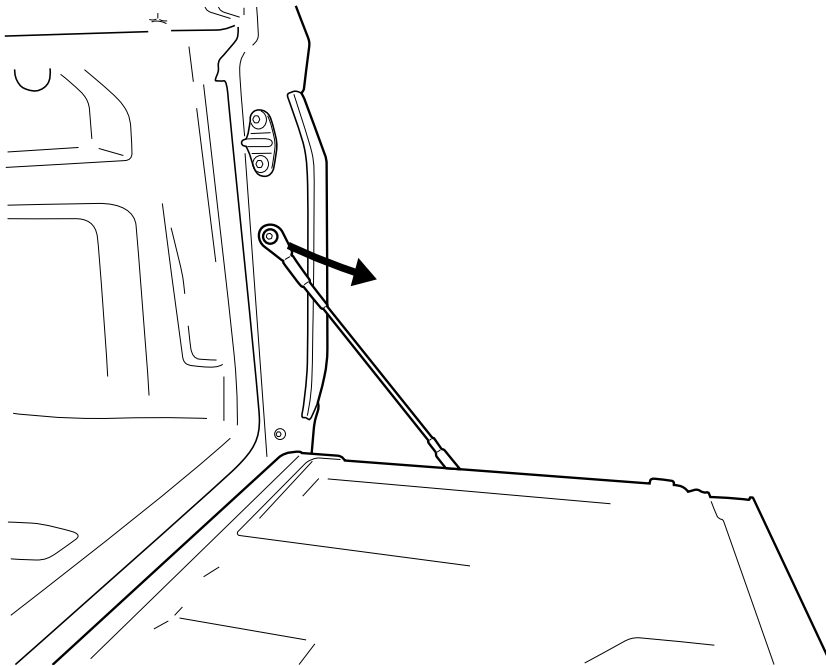
— STEP 1 —

Open tailgate.



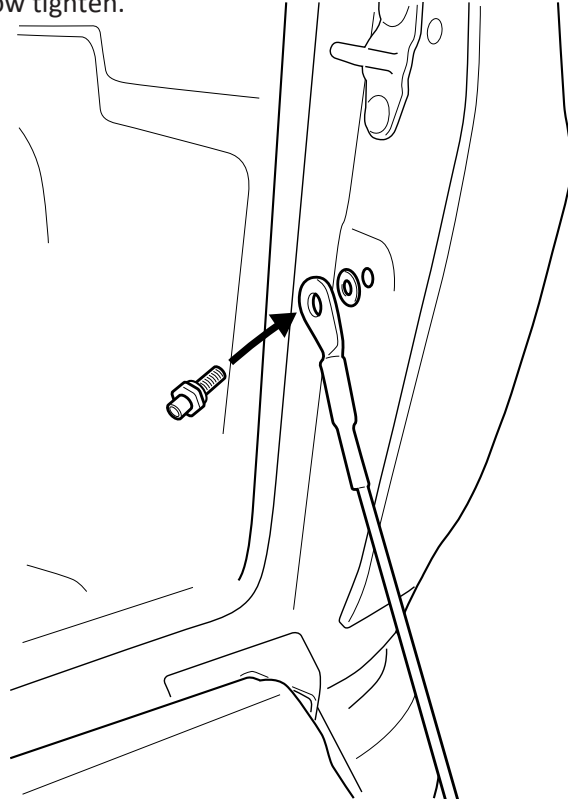
— STEP 2 —

Remove indicated bolts , and discard.



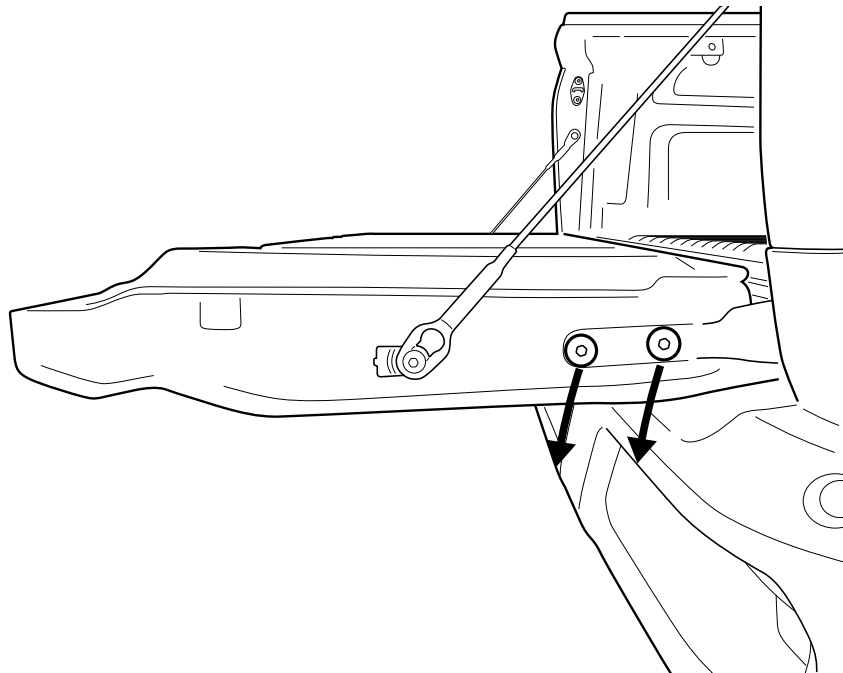
— STEP 3 —

Feed part number (TA-20) M8 shoulder bolt trough strap & followed by the m8 washer provided part number 24. Now tighten.



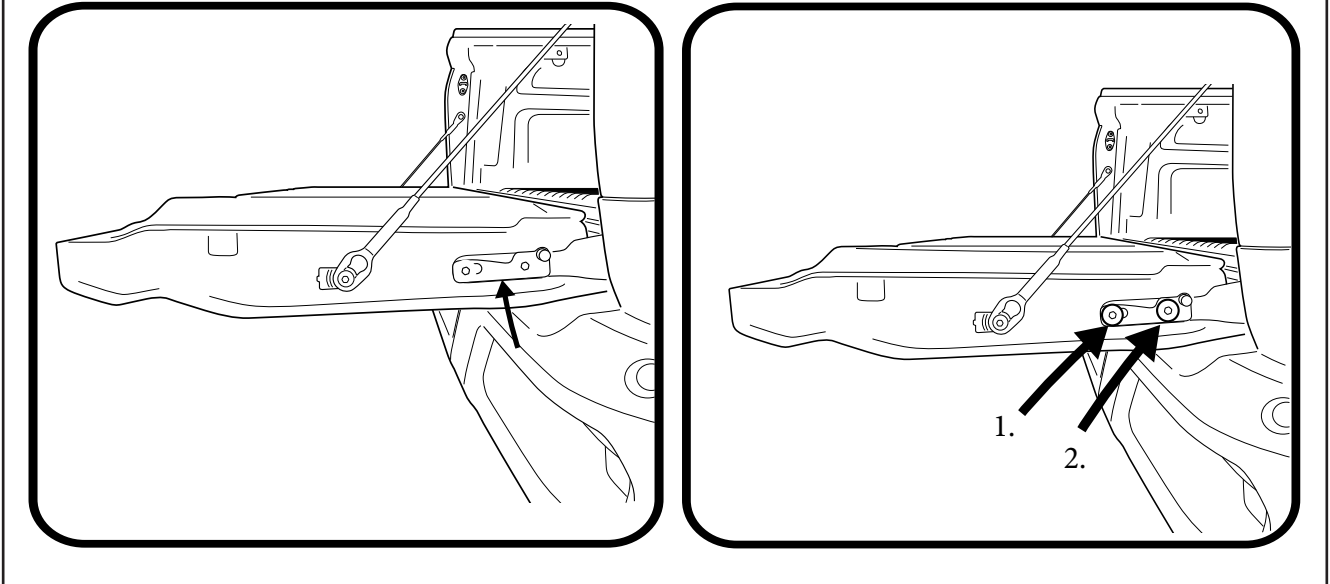
— STEP 4 —

Remove indicated bolts, and discard.



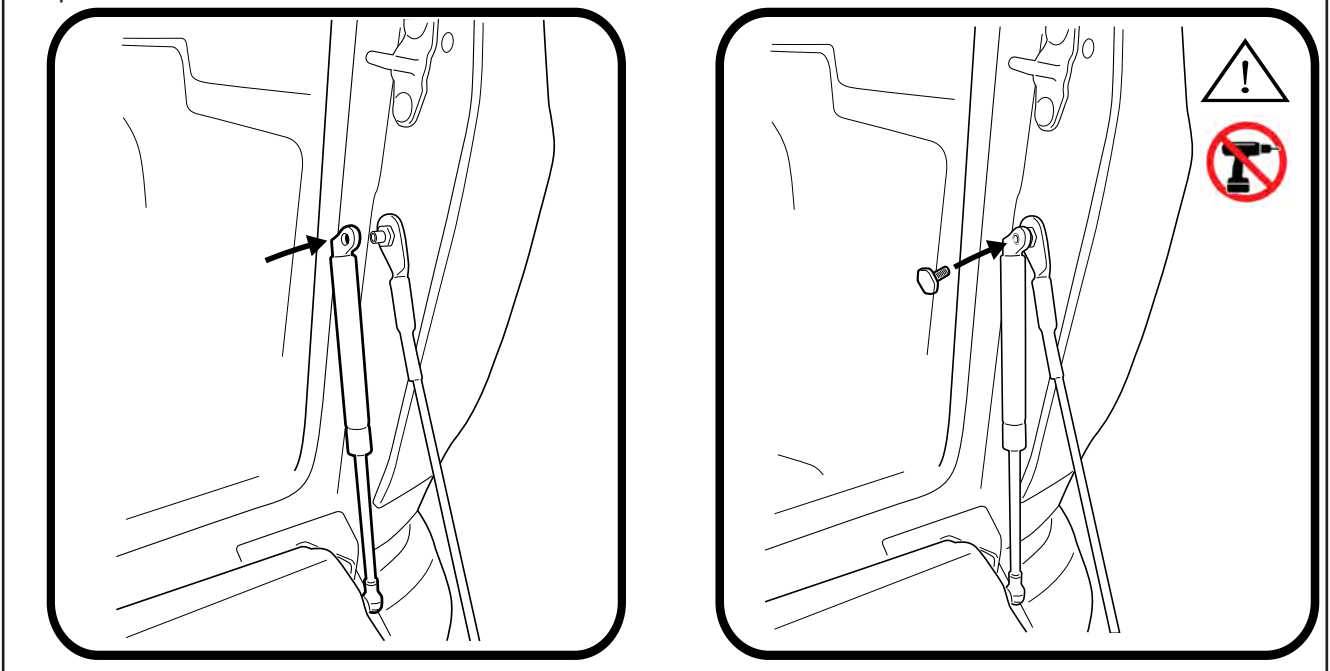
— STEP 5 —

Place bracket TA-11RH over the tailgate hinge and fasten with part number 46 (M10 x 16mm button socket black bolt) as indicated to location 1 & 2.



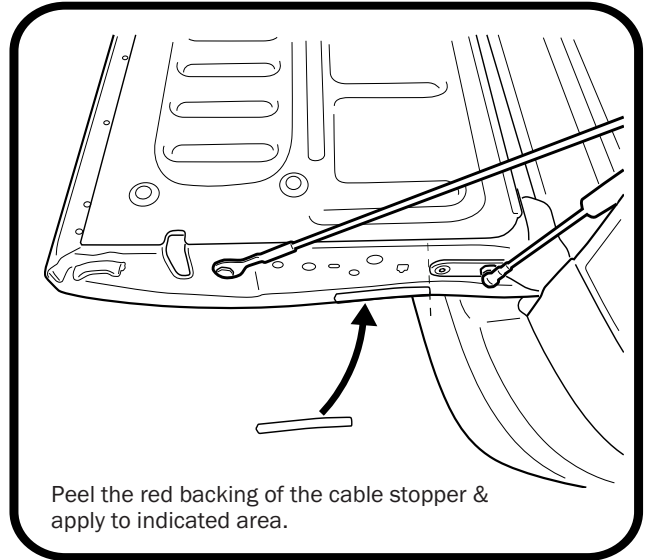
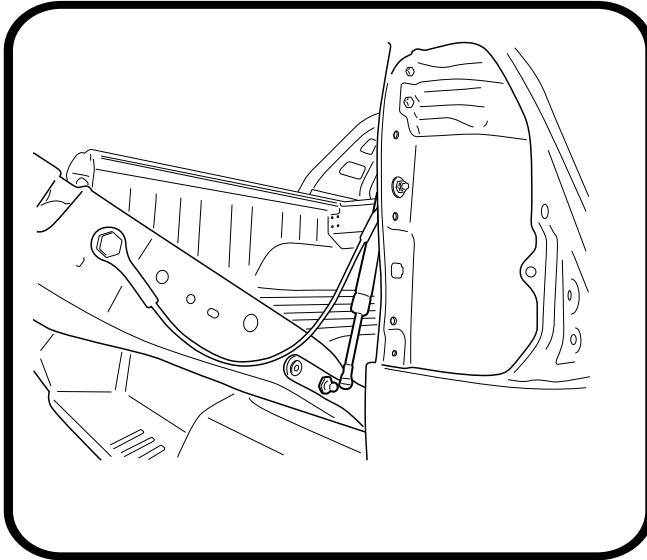
— STEP 6 —

Fit dampening strut, part number KSD cylinder end to the Shoulder of (TA-20) followed by strut locking bolt (TA-16). **NOTE:** TA-16 Should be tighten to 2nm torque, Do not use power tools for this step.



— STEP 7 —

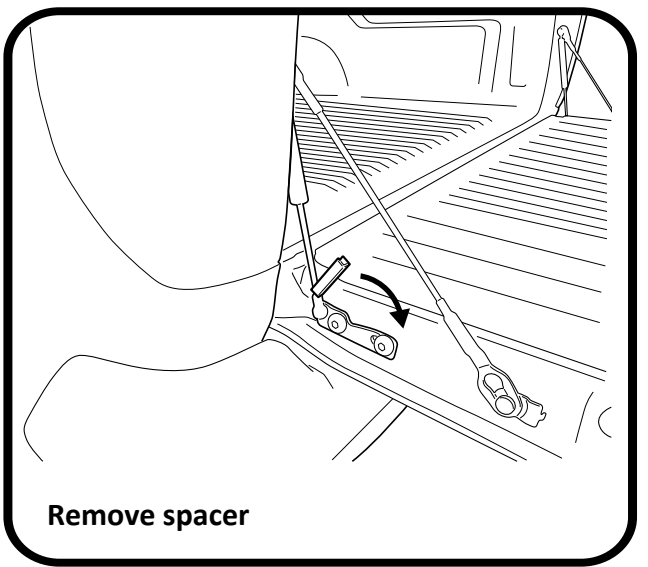
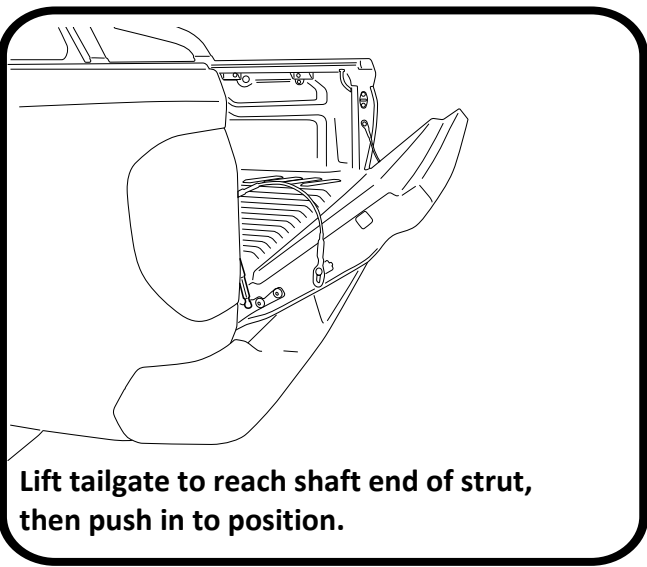
1. Now fit the shaft end of the strut to the stud ball on the tailgate.
2. Apply cable stopper rubber as indicated. (Clean area with alcohol wipe prior to application)



Peel the red backing of the cable stopper & apply to indicated area.

— STEP 8 —

Now repeat all the above steps on the passenger side
NOTE: passenger side tailgate bracket is part number TA-11LH The passenger side Strut has a spacer which will need removing once installed.



— FITTING COMPLETE —