



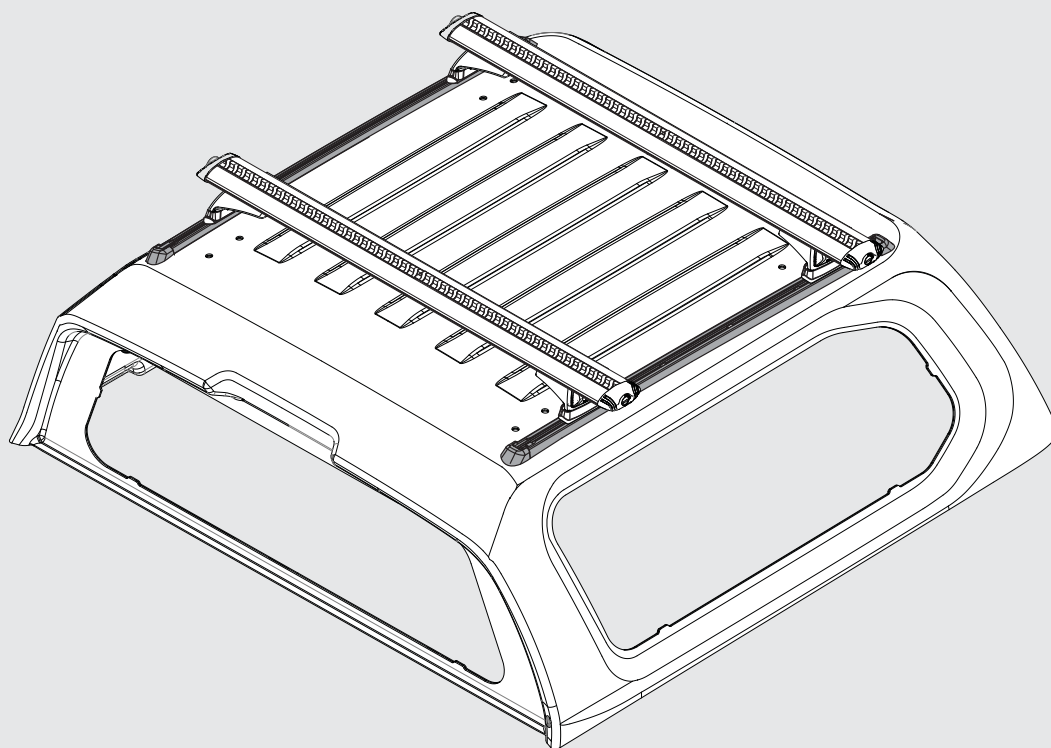
# RHINO-RACK

## Aeroklas Buddy Series Canopy Track System - ARKT11

**Important:**

1. Check the Rhino-Rack website to ensure you have the latest issue of these instructions.
2. Please refer to your fitting instruction to ensure that the roof racks are installed in the correct locations.
3. Check the contents of kit before commencing fitment and report any discrepancies.
4. Place these instructions in the vehicle's glove box after installation is complete.
5. These instructions must be followed for warranty to be upheld.

**Fit Time:** 1 hour



## ARKT11 Instructions

---

### Carrying Capacity

Check your canopy owners hand book for vehicle maximum carrying capacity. Please ensure you use the vehicle manufactures maximum roof allowance if it is lower than the figure listed in this instruction.  
Load must be evenly distributed over the platform.

ON ROAD CARGO ALLOWANCE (R)	OFF ROAD CARGO ALLOWANCE (OR)	VEHICLE ROOF LOAD LIMIT (VLL)	SYSTEM WEIGHT (SW)
$(VLL) - (5\text{kg}/11\text{lbs}) = \text{xxkg}/\text{xxlbs}$	$(R)/1.5 = (OR)$	$\text{XXkg} / \text{XXlb}$ (CHECK CANOPY OWNERS HANDBOOK FOR SPECIFIC FIGURE).	5kg/11lbs

**Off Road:** Any driven path taken that does not contain a surface protection layer (tar/bitumen).

**Vehicle Load Limit:** Total permissible weight attached to the roof of the car. This is inclusive of the weight of the roof rack system.

**System Load Limit:** Total permissible weight allowed on top, and attached to roof racks whilst the vehicle is in motion.

**Static Allowance:** Total permissible weight allowed on top, and attached to roof racks whilst the vehicle is stationary.

### Torque Settings

Unless stated otherwise in these instructions, all fasteners should be set to the following torque settings - M6: 4-5Nm (3-4lbs/ft), M8: 8-10Nm (6-7.5lbs/ft) and M10: 16-18Nm (12-13lbs/ft).

### Warning

---

- Check part number/ or kit is correct for use with your vehicle.
- Do not attempt to fit the rack system to your vehicle unless you fully understand these fitting instructions. Please direct any questions regarding fitting to the dealer from where the roof racks were purchased.
- Although the system is tested and approved to AS1235-2000 / ISO 11154, off-road conditions can be much more rigorous. Extreme care must be taken in off road conditions.
- Roof racks must be removed when vehicle is put through an automatic car wash.
- With utility vehicles, the cabin and the canopy move independently. Roofracks and vehicle can be damaged if the item transported is rigidly fixed at points on both the cabin and canopy. Instead, rigidly fix to either the cabin roofracks or the canopy roofracks.
- Always ensure you fasten your load securely.
- Use only non-stretch fastening ropes or straps to attach cargo to your load.

### In service maintenance checks

---

- All bolt connections should be checked after driving a short distance when you first install your roof racks.
- All bolted connections should be checked again at regular intervals (weekly is recommended, depending on road conditions, usage, loads and distances travelled).
- All bolted connections should be checked each time they are re-fitted.

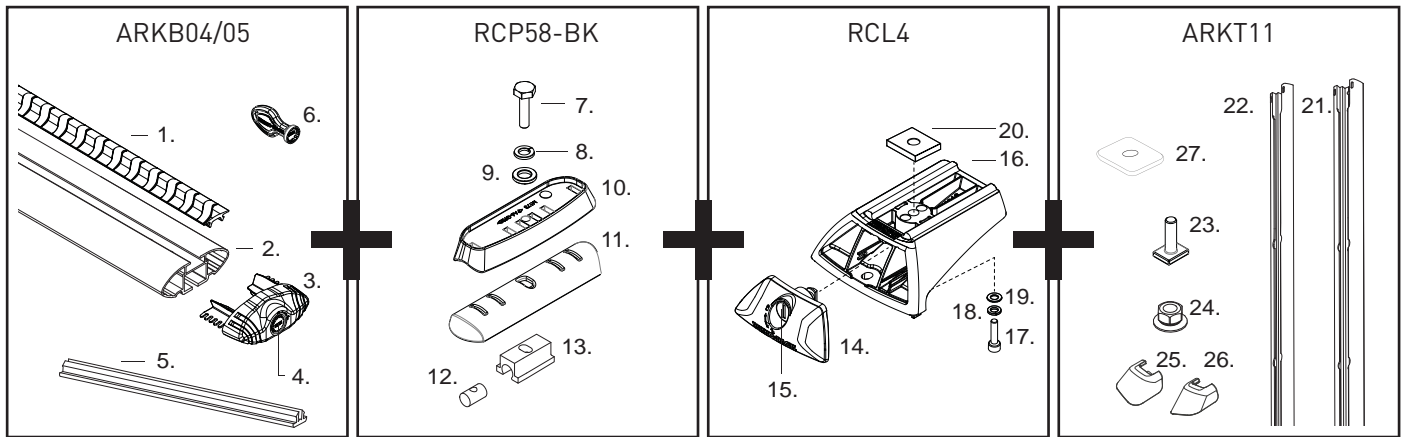
### Note for Dealers and Fitters

---

It is your responsibility to ensure these fitting instructions are given to the end user or client. These instructions remain the property of Rhino-Rack Australia Pty. Ltd. and may not be used or changed for any other purpose than intended.

# ARKT11 Instructions

## Parts List



Item	Description	ARKB04	ARKB05	Vehicle	Description
1	Rubber Strip	7	7	Hilux Dual Cab 15 on	RCL4(1) + RCP58-BK(1) + ARKB04(2) + ARKT11
2	Bar	1	1		
3	End Cap	2	2	Ranger 12 on	RCL4(1) + RCP58-BK(1) + ARKB05(2) + ARKT11 (1)
4	End Cap Barrel	2	2		
5	VA Measurement Strip	2	2		
6	Secure Core Key	1	1		

Item	Description	RCP58-BK
7	M6 x 40mm Hex Bolt	4
8	M6 Spring Washer	4
9	M6 x 16mm Flat Washer	4
10	Top Pad	4
11	Bottom Pad	4
12	M6 x 16mm Dowel Nut	4
13	Dowel Nut Housing	4

Item	Description	RCL4
14	Leg Cover	4
15	Barrel	4
16	Leg	4
17	M6 x 20mm Skt Head Screw	4
18	M6 Spring	4
19	M6 x 16mm Spring Washer	4
20	M6 24mm Sqr Nut	4

Item	Description	ARKT11
21	Track Right	1
22	Track Left	1
23	M6 x 20mm T-bolt	16
24	M6 Nut Cap Nut Mutter	16
25	Track End Cap	2
26	Track End Cap	2
27	Butyl Patch 20x20mm	16
28	Instructions	1

### Tools Required

- A. 10mm Wrench
- B. Tape Measure
- C. 6.5 Drill Bit
- D. Drill
- E. Masking Tape
- F. Marker
- G. Vacuum
- H. Torque Wrench
- I. Soldering Iron
- J. Butyl Mastic
- K. Allen Key (provided H034)
- L. 8mm Drill Bit

