

OFF ROAD COCKPIT

AMAZA PRO



ALL IN ONE



VOLTAGE METER



ELEVATION METER



25 LIGHT MODES



GPS SPEEDOMETER



ROLL & PITCH METER



BAROMETER



GPS DATA COLLECTION



LONGITUDE & LATITUDE



COMPASS



CONTENTS

Important Notes & Reminders	2
Display	3
Functions	4, 5
Wiring Diagram	6
Settings	7, 8
Specifications	9
Warranty	10,11

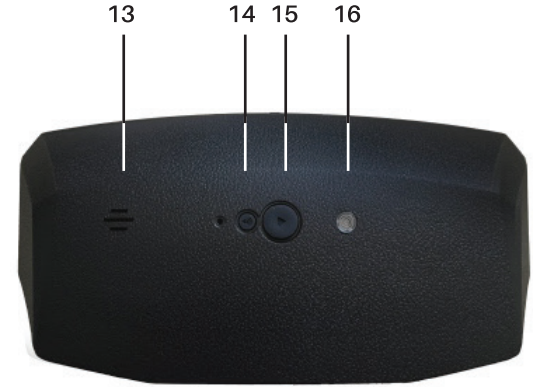
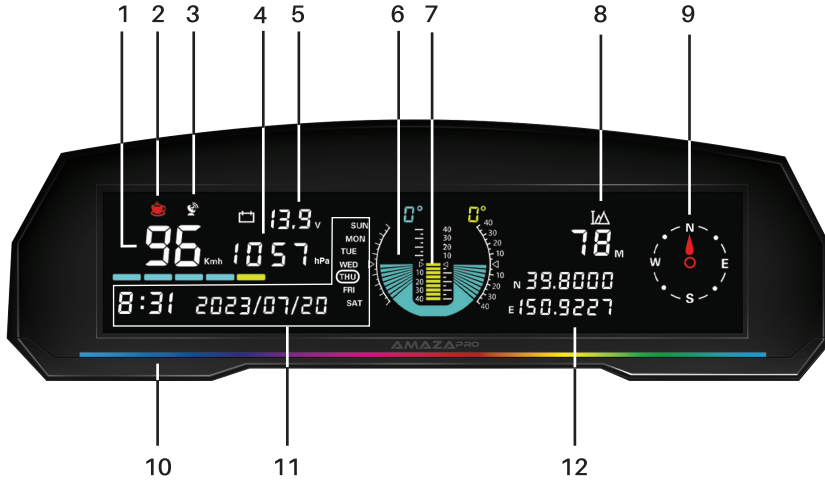
IMPORTANT NOTES

The AMAZA PRO Off Road Cockpit elevates the driving experience for both off-road and on-road enthusiasts, driver's judgement must be used.

REMINDERS

Before using this product, it is essential to read the user manual carefully. Additionally, conducting a basic function test is crucial for acquiring the necessary experience in utilizing the product effectively.

DISPLAY



1. Speedometer
2. Fatigue Alarm
3. GPS Signal
4. Barometer
5. Voltage Indicator & Incab Temperature (Alternates)
6. Roll
7. Pitch
8. Elevation

9. Electronic Compass
10. RGB LED Strip
11. Time, Date & Day of the Week
12. Longitude & Latitude
13. Speaker
14. Volume Adjustment
15. Ambient Light Mode Setting/Pitch and Roll Angle Reset
16. Auto Brightness Sensor

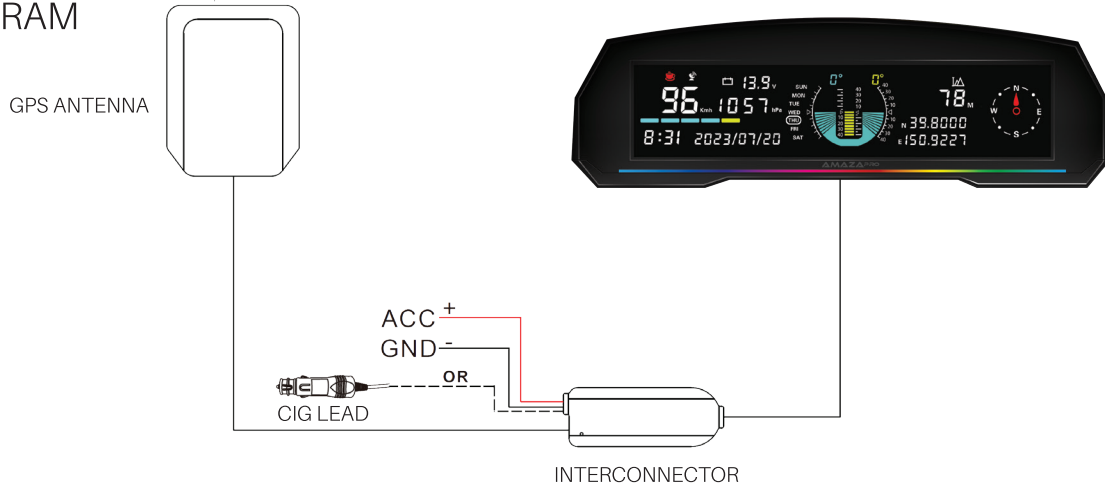
FUNCTIONS

Speedometer	Once GPS data is gathered, the vehicle's speed will be displayed.
Fatigue Alarm	When the vehicle has been running for 4 hours, a fatigue driving icon will appear on the display to remind the driver to take a rest.
GPS Signal	The GPS icon will appear on the screen to indicate that the GPS signal is being received.
Barometer	Displays the current atmospheric pressure of the vehicle's current location.
Voltage Indicator	Displays the battery voltage in real time.
Cabin Temperature	Device displays the temperature within the cabin.
Roll	The display indicates the current roll angle of the vehicle.
Pitch	The display shows the current pitch angle of the vehicle.
Elevation	Elevation above sea level is displayed in meters while GPS signal is received.
Electronic Compass	The direction of the vehicle (N, S, E, W) is displayed while the vehicle is in motion an GPS signal is being received.

FUNCTIONS

RGB LED Strip	Beneath the display, an RGB LED strip has been installed. There is a selection of 25 different modes to choose from, including to the option to disable the LED's as required.
Time, Date & Day of the Week	When there is a GPS link time is synchronized to GMT. For accurate local time set your time zone in settings.
Longitude & Latitude	Displays the longitude & latitude of the vehicle's current location.
Auto Brightness	The displays backlight brightness will automatically adjust to the surrounding light conditions. Ensuring that the display remains clear and does not distract the user.
Volume Adjustment	The warning sound has 9 different levels, and can also be turned off completely (set to mute).

WIRING DIAGRAM



INSTALLATION

1. Connect the ACC wire to the car's ACC power supply, and connect the GND wire to a suitable ground point. Alternatively, you can use the cigarette lighter for power fly lead supplied.
2. Plug the GPS antenna into the socket of the interconnector and place the GPS antenna in a location that can easily receive GPS signals, such as the A pillar or the ceiling.
3. Install the display on the center of the dashboard, close to the windscreen for the best view and to enable wires to be hidden.
4. When turning on the device for the first time or after repositioning, press and hold the **large button** on top of the unit (15) for 3-5 seconds while the device is powered on to reset/zero the pitch and roll angle and ensure accurate values.

SETTINGS

VOLUME

To adjust the default volume level of the device, you need to press the **volume button** (14) when the device is switched on. By pressing the button each time, the volume values (+/-/Mute) will cycle upwards.

TIME ZONE

To modify the device's default time zone, follow these steps:

1. Turn off the device and ensure the vehicle ignition is also switched off.
2. Press and hold down the **large button**(15).
3. Turn on the vehicle ignition and check the Voltage /Temperature display (5). This will show the current time zone setting.
Note: The default time zone is GMT+ 10.
4. Use the **large button**(15) to switch to the desired time zone.
5. Turn off the device.
6. The next time the device is powered on, the selected time zone setting will be applied.

MEASUREMENT

The device's speed, altitude, and temperature readings can be changed from metric to imperial units of measurement.

Note: Default setting for the device is metric.

	Metric	Imperial
Speed	Km/h	Mph
Elevation	M	Ft
Temperature	C °	F °

Turn off the vehicle ignition. Press and hold the Volume button and turn on the ignition. Press the Volume button to toggle between Metric and Imperial units of measurement. Turn ignition off then on again to save.

SETTINGS

AMBIENT LIGHT MODES

The system offers 25 ambient light modes, numbered 0 to 24, for users to select from. Pressing the **large button** (15) increments the mode value by 1 with each press and repeats in cycles. The different modes correspond to different mode values, and their relationship is explained below.

0: No light

1: Colourful

2: Alternate

3-9: Static colour (7 types)

10-16: Colour fading in & out (7 types)

17-23: Flowing colour (7 types)

24: Speed light

OVER SPEED ALARM

To adjust the speed setting for the over speed alarm, press and hold the **volume button** (14) for 3-5 seconds while the device is powered on. The current speed setting will be shown on the Speed display (1). Note the default speed is 190Km/h.

To select your desired setting, use the **volume button** (14) to scroll through options. Wait for 3-5 seconds, and the speed will be automatically set to your chosen value.

NOTE

The GPS signal may cause a delay in the speed measurement, and as a result, the display of speed, electronic compass, and elevation may not be accurate. Moreover, while inside tunnels or near tall buildings, poor GPS reception may result in inaccurate readings. Also, the temperature sensor is located within the interconnector, causing the indoor temperature measurement to depend on the sensor's location.

SPECIFICATIONS

Pitch Angle:	-40° ~ +40°
Roll Angle:	-40° ~ +40°
Temperature accuracy:	±1°C
Clock error:	<1 Min
Barometer (Air pressure):	300 ~ 1100hPa
Voltage measurement range:	DC 8V ~ 30V
Voltage measurement accuracy:	0.5 V
Speed precision:	<0.36 Km/h
GPS start time (Cold):	32s (Average)
GPS start time (Hot):	1s (Average)
Data refresh rate of GPS:	1s
Operating temperature:	-40°C+80°C
Power supply:	DC 8V ~ 30V
Ambient light modes:	25 Types
Dimensions:	190mm (W) x 58mm (H) x 97mm (D)

INCLUDED

Hardwire Lead
Cigarette Power Lead
Non Slip Mat
GPS Antenna

WARRANTY

Congratulations on your purchase of a quality Mobile Safety System! You're joining thousands of satisfied customers who enjoy & experience the benefits of the products we distribute. In the unlikely event that some technical difficulty arises with your purchase, be assured that we are most anxious to see that the problem is quickly rectified to your satisfaction. Please familiarise yourself with the following simple conditions of our warranty. This warranty covers faults through component failure or failure of the product to operate in accordance with published specifications. Product failure as a result of unreasonable environmental conditions, accident, misuse, improper installation, unauthorised repair, vehicle electrical or wiring faults or neglect etc, will not be covered by this warranty. Removal and installation costs, if any, would be paid by the owner as well as any freight or postage costs of transporting the product to AUTOBACS AUSTRALIA PTY LTD and shall not be liable or responsible for any loss of use of this product or any form of consequential loss.

CONSUMER WARRANTY

This product is warranted by AUTOBACS AUSTRALIA PTY LTD to be free from defects in materials and workmanship under **NORMAL USE** for a period of **TWELVE MONTHS** from the date of purchase.

WITHIN 30 DAYS OF PURCHASE DATE:

Please return the unit for replacement to our National Service Centre or the Retailer from where you made the purchase. All accessories must be included. Proof of purchase date **must** accompany the products.

AFTER 30 DAYS OF PURCHASE DATE:

Warranty repair and service is carried out by our National Service Centre. Repair and service will be carried out at no cost to the owner if proof of ownership and the date of purchase can be verified to the satisfaction of the authorised centre concerned with this repair. This proof should take the form of either:

- a) The warranty card accompanying this product, stamped and dated by the dealer.
- b) A Tax Invoice or Receipt showing full details of original vendor, purchaser, model number and serial number.

WARRANTY

COMMERCIAL WARRANTY

A product used in or associated with a commercial application will carry a limited TWELVE MONTHS warranty.

An abnormal commercial application is one where usage, dust, vibration, heat/cold and other environmental conditions exist at an extreme level. Our goods come with guarantees that cannot be excluded under the Australian Consumer Law. You are entitled to a replacement or refund for a major failure and for compensation for any other reasonably foreseeable loss or damage. You are also entitled to have the goods repaired or replaced if the goods fail to be of acceptable quality and the failure does not amount to a major failure.

Purchaser's Name: _____

Purchaser's Address: _____

Model Number: _____

Serial Number: _____

Dealer Name: _____

Date of Purchase: / /

Dealer Address: _____

Invoice/Sales Docket no: _____

General Hints: To expedite service and prompt return of the equipment, please:

- | | |
|---|---|
| a) Clearly describe the fault in detail | b) Safely and securely pack the unit for transport |
| c) Include your return address | d) Provide proof of purchase date as outlined above |

National Service Contacts:

AUTOBACS AUSTRALIA PTY LTD

Telephone: 1300 288 029

email: services@autobacs.com.au



AMAZA PRO