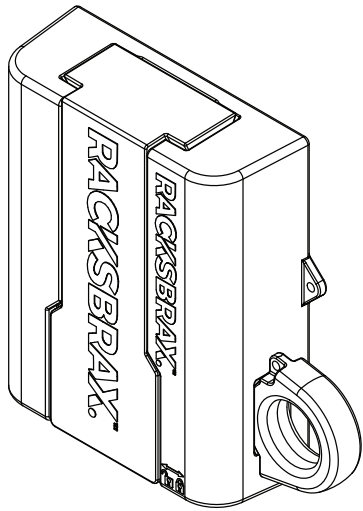


RACKS BRAX.™



HD HITCH

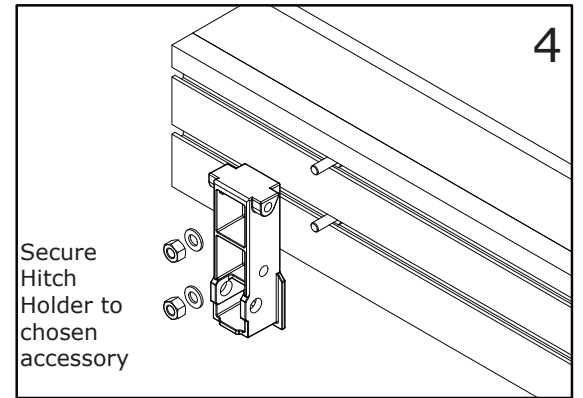
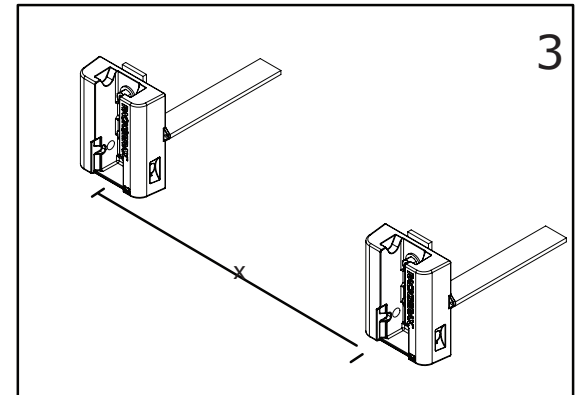
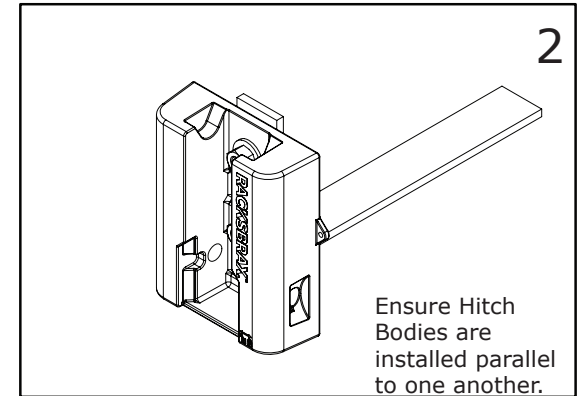
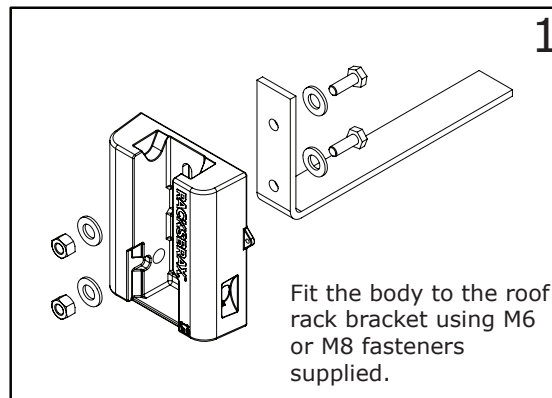
Assembly and Mounting Instructions

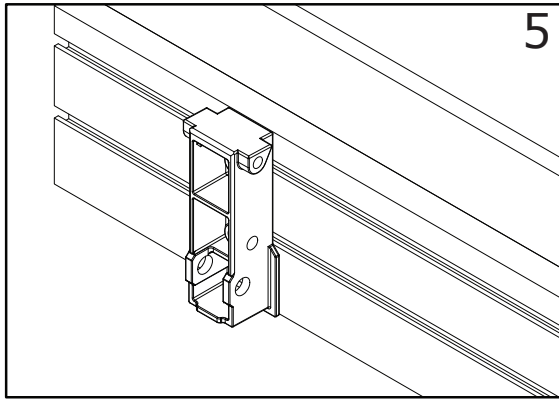
- HD Hitch Standard Pack**
- HD Hitch Tradesman II Pack**
- HD Hitch Tradesman III Pack**
- HD Hitch Wall Mount Pack**

Congratulations on purchasing the RacksBrax HD Hitch. The Racks Brax HD Hitch has been designed and manufactured to the highest standards to ensure safety, quality and ease of use for the quick loading and unloading of roof-rack mounted pull-out awnings, storage tubes, ensuite tents and other suitable accessories.

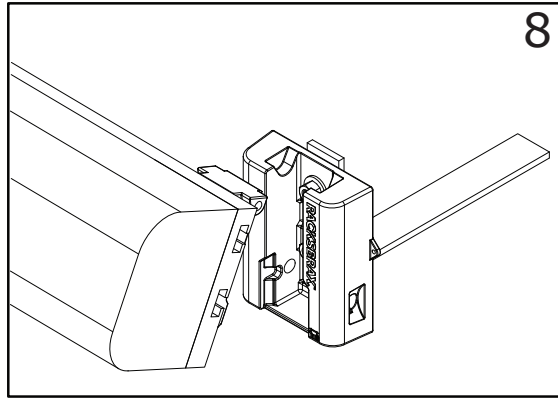
RB-INS-001 - Instructions for HD Hitch Range Rev 0

Part name	Part Number	HD Hitch Standard Pack (8159) Supplied in 1 box	HD Hitch Tradesman II Pack (8162) Supplied across 2 boxes	HD Hitch Tradesman III Pack (8163) Supplied across 2 boxes	HD Hitch Wall Mount Pack (8160)
Body	3846-01001	2	4	5	2
Holder	3846-01002	2	4	6	
Cover	3846-01006	2	2	3	
Pin	3846-01003	2	2	3	
Prop Cleat	3846-03001	2	2	2	
Lock with 1 key part no. 3486-01005	3846-01005	2	2	3	
Pin Lenyard	3846-01009	2	2	3	
Bolts, Nuts Washers Set (HD Hitch Standard Pack)	3846-01007	1	1	1	
Bolts Square Head T Bolts - 2 per packet (HD Hitch Standard Pack)	3846-01013	1	1	1	
Bolts, Nuts Washers Set (HD Hitch Tradesman II Extra Over)	3846-01008		1		
Bolts, Nuts Washers Set (HD Hitch Tradesman III Extra Over)	3846-01015			1	
Instructions	3846-01010	1	1	1	
Warranty	3846-01014	1	1	1	

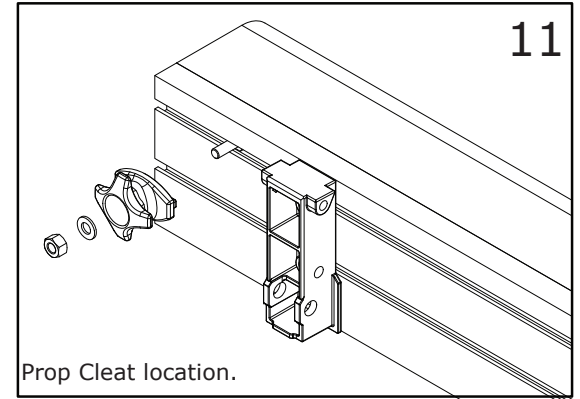




5

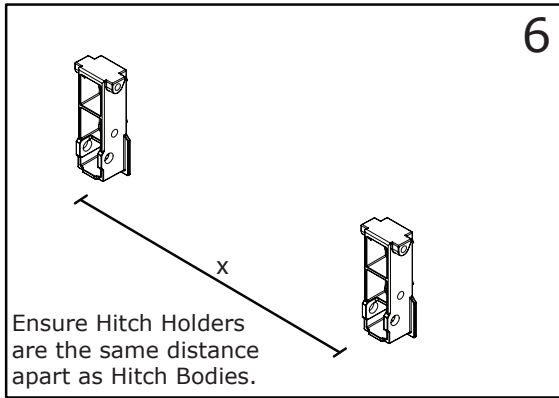


8



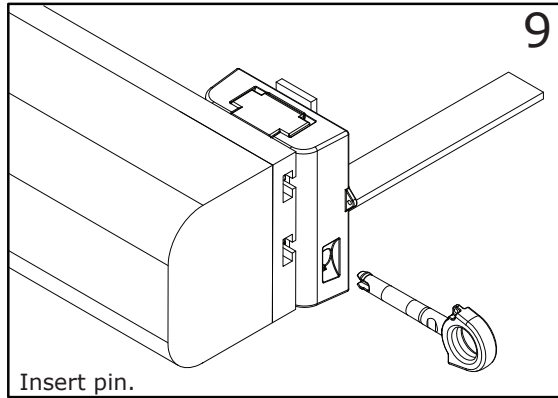
11

Prop Cleat location.



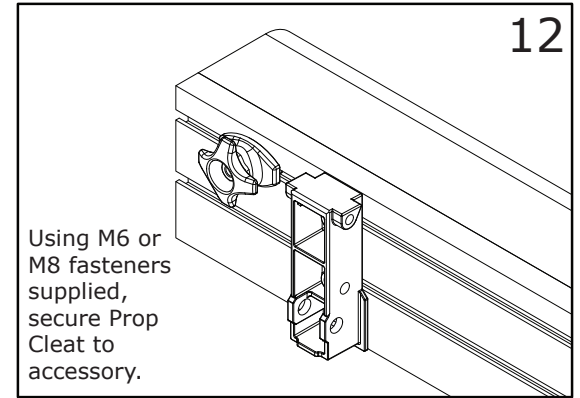
6

Ensure Hitch Holders are the same distance apart as Hitch Bodies.



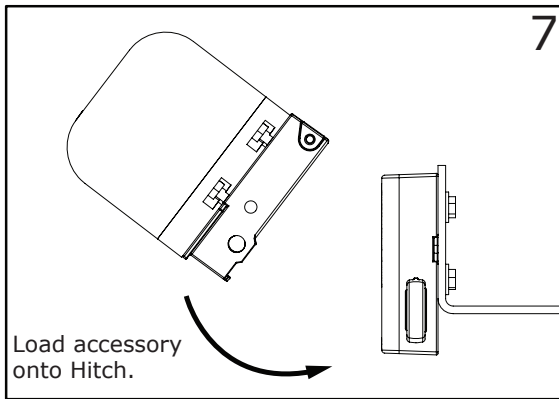
9

Insert pin.



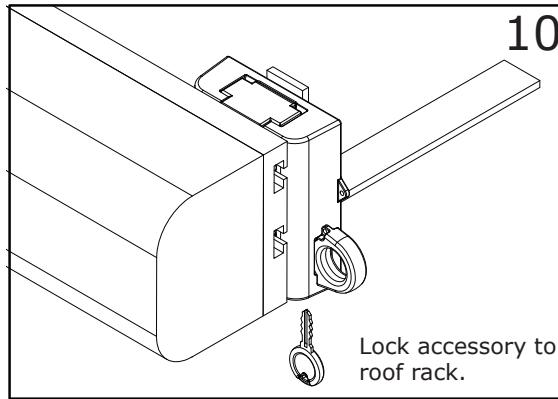
12

Using M6 or M8 fasteners supplied, secure Prop Cleat to accessory.



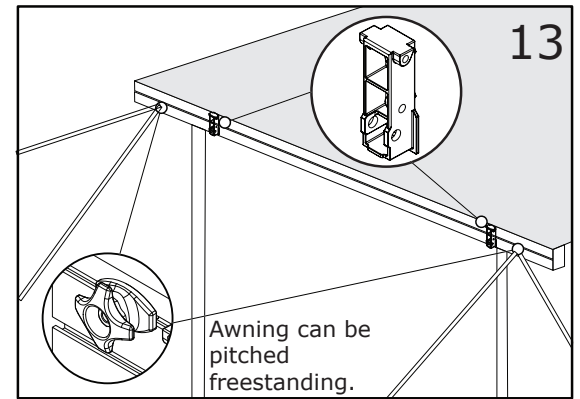
7

Load accessory onto Hitch.



10

Lock accessory to roof rack.



13

Awning can be pitched freestanding.