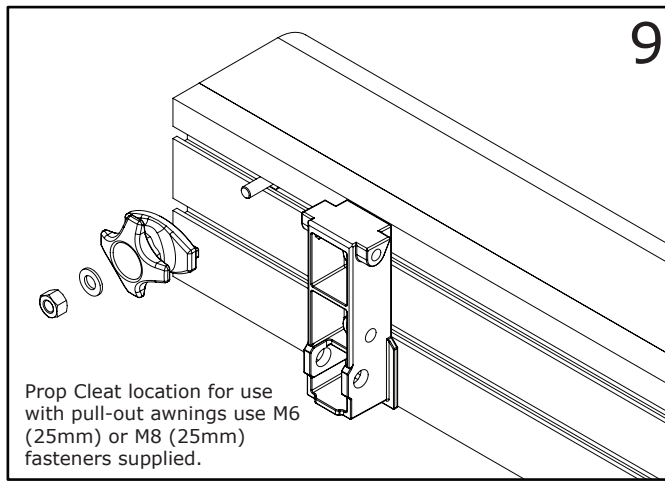
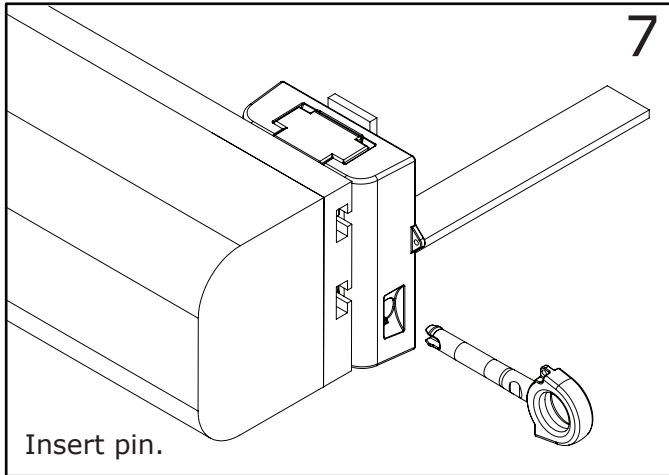


6



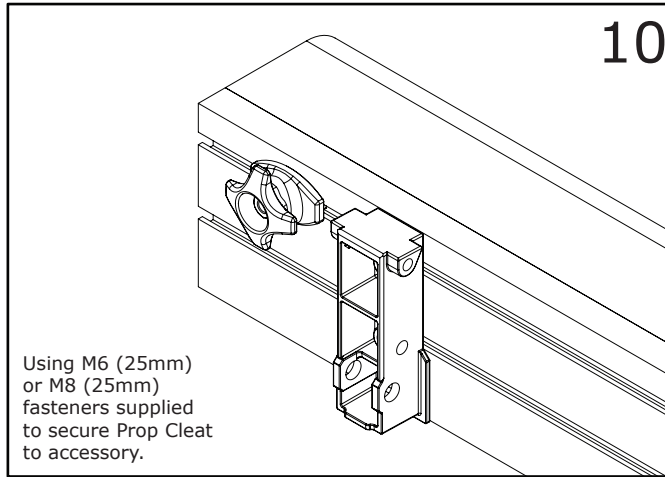
9

Prop Cleat location for use with pull-out awnings use M6 (25mm) or M8 (25mm) fasteners supplied.



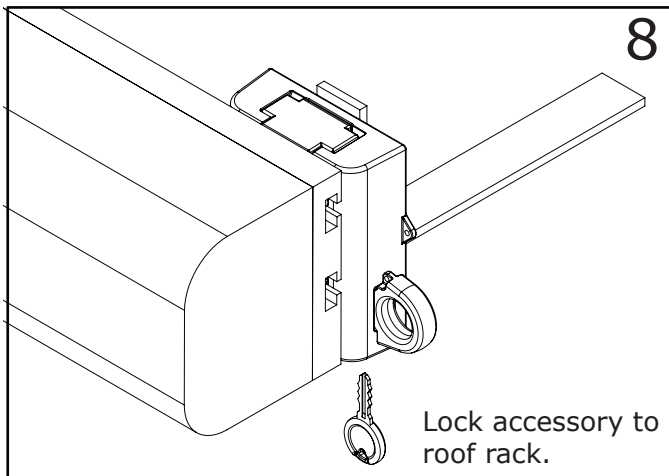
7

Insert pin.



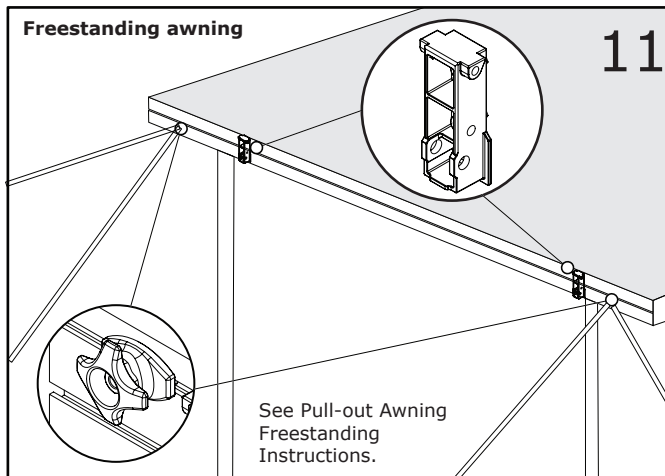
10

Using M6 (25mm) or M8 (25mm) fasteners supplied to secure Prop Cleat to accessory.



8

Lock accessory to roof rack.

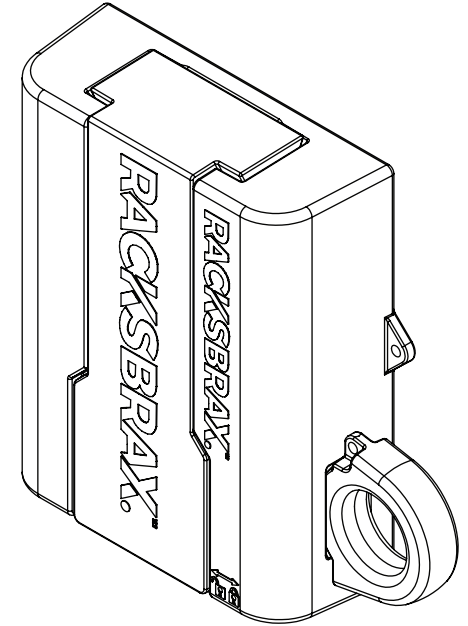


Freestanding awning

11

See Pull-out Awning Freestanding Instructions.

# RACKS BRAX®



## HD HITCH

### Assembly and Mounting Instructions

**HD Hitch Standard (8159, 8179)**

**HD Hitch Tradesman II (8162, 8180)**

**HD Hitch Tradesman III (8163, 8181)**

**HD Hitch Triple (8182, 8183)**

Congratulations on purchasing the RacksBrax HD Hitch. The RacksBrax HD Hitch has been engineered and manufactured to the highest standards to ensure safety, quality and ease of use for the quick loading and unloading of roof-rack mounted pull-out awnings, storage tubes, ensuite tents and other suitable accessories.

	HD Hitch Standard (8159)	HD Hitch Tradesman II (8162)	HD Hitch Tradesman III (8163)	HD Hitch Triple (8182)
--	--------------------------	------------------------------	-------------------------------	------------------------

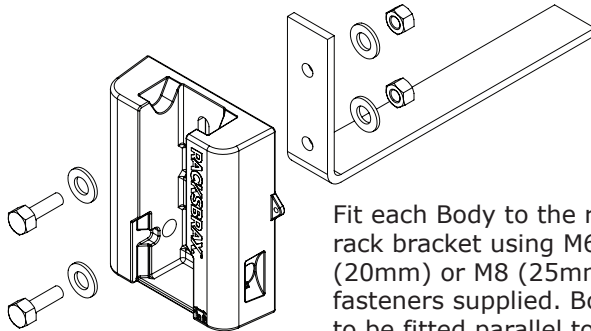
Label	Part	Quantity	Quantity	Quantity	Quantity
1	Body	2	4	5	3
2	Holder	2	4	6	3
3	Cover	2	2	3	3
4	Pin	2	2	3	3
5	Prop Cleat	2	2	2	2
6	Barrel Lock with 1 key	2	2	3	3
7	Pin Lanyard	2	2	3	3
8	Fastener Set (HD Hitch Standard 8159)	1	1	1	1
9	Fastener Set (HD Hitch Tradesman II 8162)		1		
10	Fastener Set (HD Hitch Tradesman III 8163)			1	
11	Fastener Set (HD Hitch Triple 8182)				1
12	Instructions	1	1	1	1
13	Warranty	1	1	1	1

## WARNING

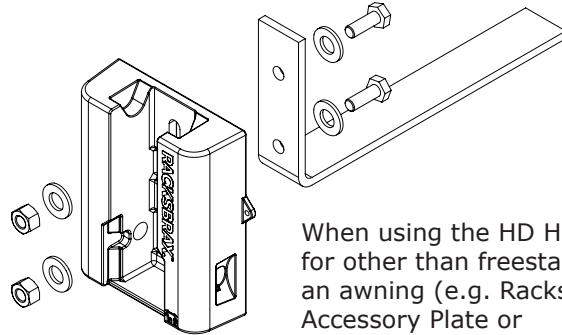
(Read in conjunction with "SAFETY WARNINGS")

- 1) Bolt torque settings:  
M6 = 5Nm (4 ft.lb), M8 = 6Nm (5 ft.lb)
- 2) Do not use nylon-insert lock nuts more than once
- 3) **DO NOT USE DRILL TO TORQUE BOLTS**
- 4) **Maximum load** per single Hitch is 20kg (44lb)
- 5) Pitched awnings connected to a RacksBrax Hitch, should be pitched in accordance with the manufacturer's instructions **but in any case, with guy ropes, or other awning restraint mechanisms designed to secure an awning during windy conditions.** Wind damage is not covered under the Warranty.

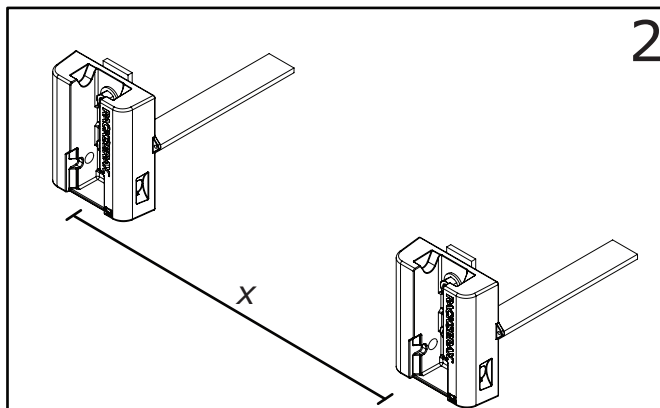
Set screw configuration if awning is to be used freestanding (see figures 9, 10, 11) OR with RacksBrax HD Awning Adaptor Bars. **1**



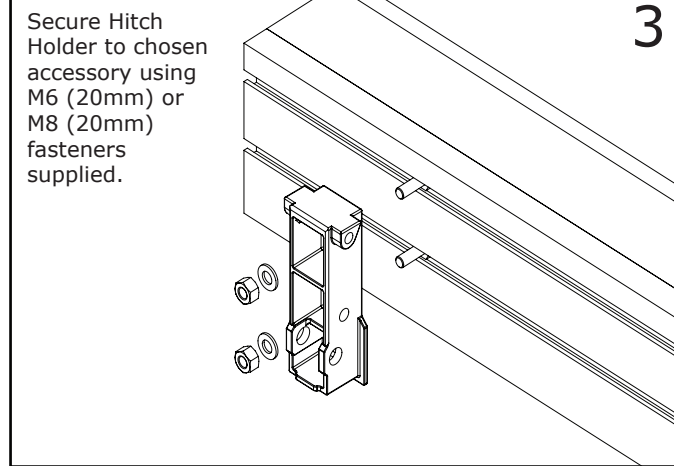
Fit each Body to the roof rack bracket using M6 (20mm) or M8 (25mm) fasteners supplied. Bodies to be fitted parallel to one another.



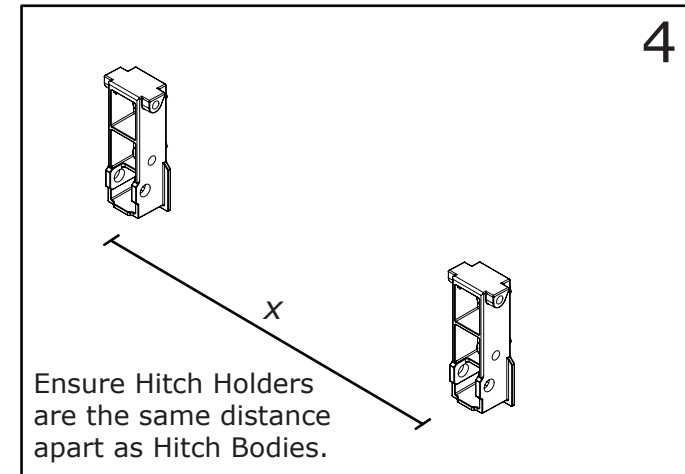
When using the HD Hitch for other than freestanding an awning (e.g. RacksBrax Accessory Plate or Accessory Bars) locate set screws as shown here.



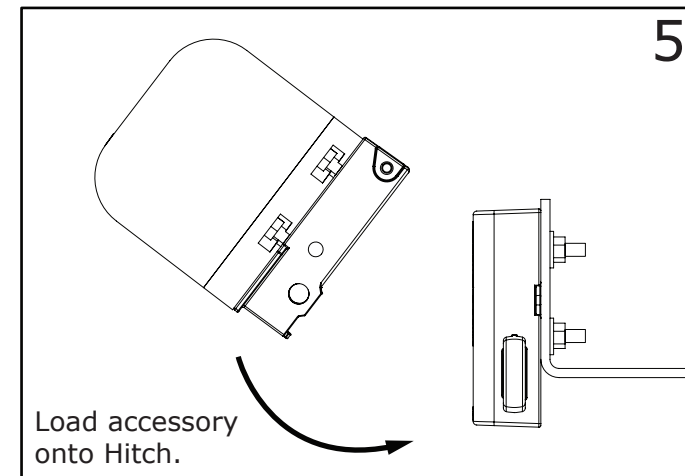
Bodies to be located parallel to each other.



Secure Hitch Holder to chosen accessory using M6 (20mm) or M8 (20mm) fasteners supplied. **3**



Ensure Hitch Holders are the same distance apart as Hitch Bodies. **4**



Load accessory onto Hitch. **5**