

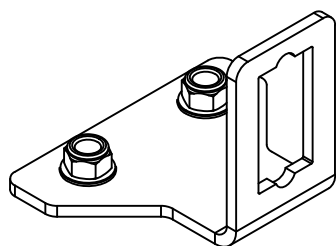


RHINO-RACK

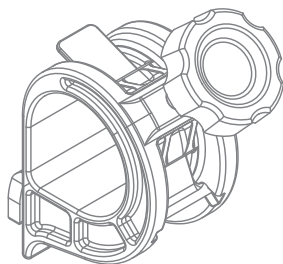
31114 Multi-purpose Shovel Conduit Holder Bracket

Important: Please read these instructions carefully prior to installation. Please refer to your fitting instruction to ensure that the bike rack is installed in the correct locations. Check the contents of kit before commencing fitment and report any discrepancies. Place these instructions in the vehicle's glove box after installation is complete.

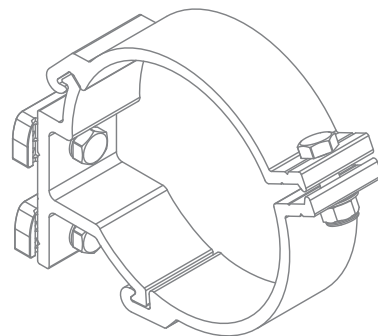
Layout



To be used with



OR



RSHB and RSHB-L
Rhino Shovel Holder (with Lock)
Heavy Duty/Sportz

BC2
K & C Bazooka Clamp (100mm)

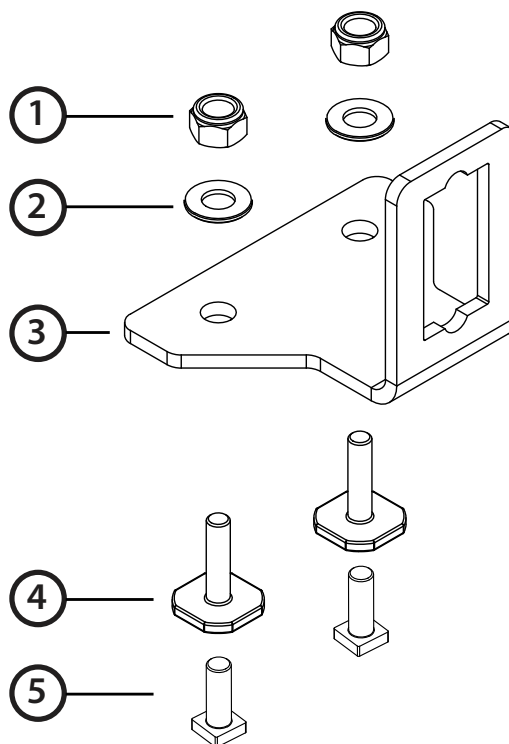
Parts List

Item	Component Name	Qty	Part No
1	M8 Nyloc Nut	4	N028
2	M8 Flat Washer	4	W020
3	Shovel Conduit Holder Bracket	2	CA1144
4	M8 x 16mm T-bolt	4	B018
5	M8 x 20mm Square Head T-bolt	4	B096
6	Fitting Instruction	1	R221

Care Instruction: Wash and clean vehicle roof racks prior to fitment

For use with:

Rhino-Rack Pioneer Tray
Rhino-Rack Sunseeker Awning
Rhino-Rack Foxwing Awning



Important Information

Rhino-Rack
3 Pike Street, Rydalmere,
NSW 2116, Australia.
(Ph) (02) 9638 4744 (Fax) (02) 9638 4822

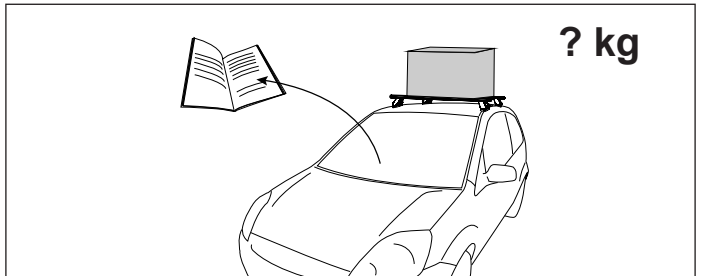
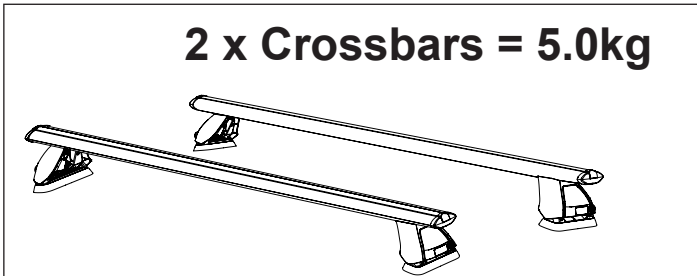
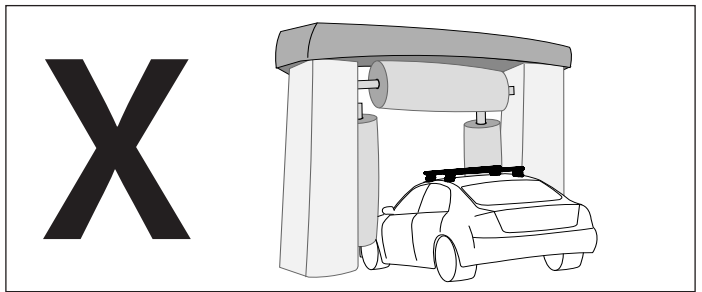
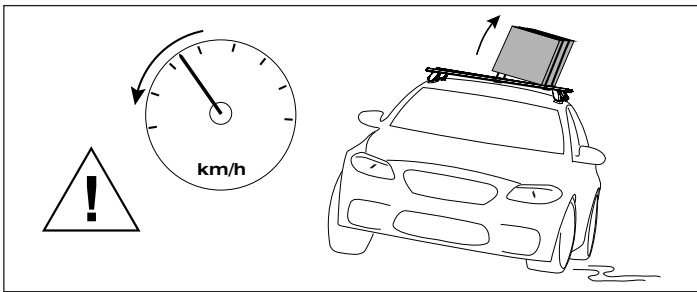
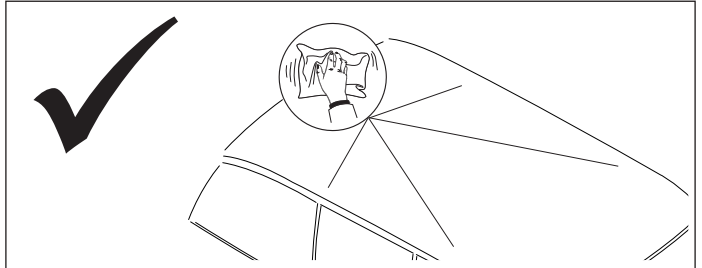
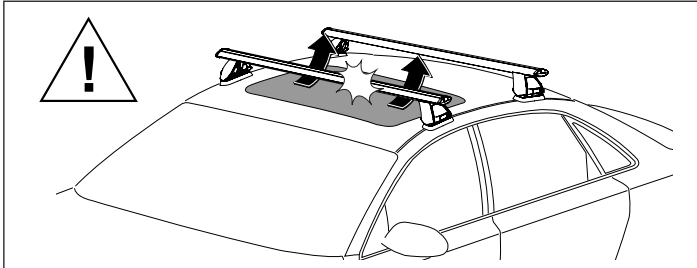
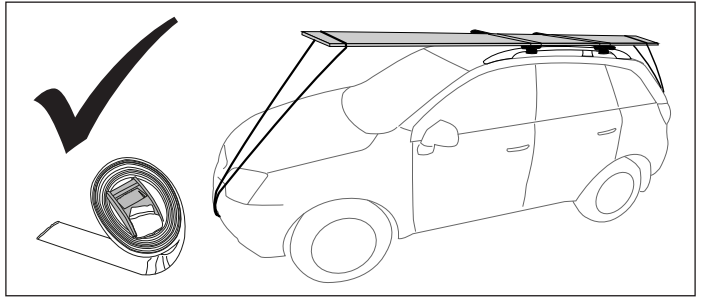
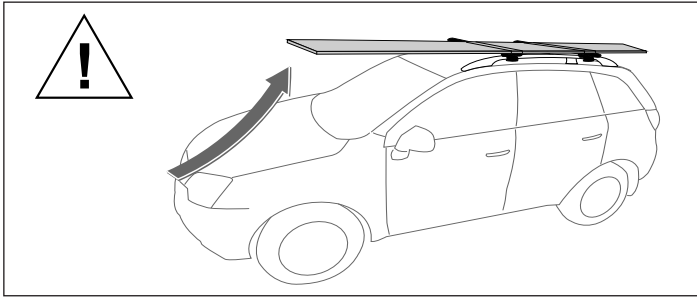
Document No: R221
Prepared By: Andy Wana
Authorised By: Chris Murty

Issue No: 01
Issue Date: 23/07/2012

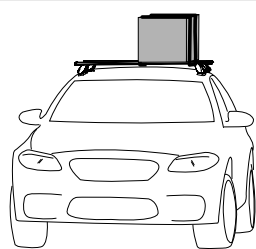
These instructions remain the property of Rhino-Rack Australia Pty Ltd and may not be used or changed for any other purpose than intended.



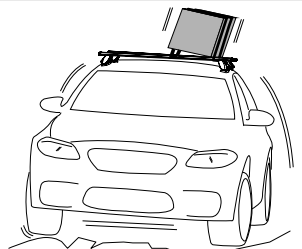
31114 Multi-purpose Shovel Conduit Holder Bracket



When these roof racks are to be used on a vehicle that is driven off sealed roads, the manufacturer maximum roof load rating (to be found in the vehicles User Manual) should be **halved**. Do not forget to subtract 7.5kg from your maximum carrying capacity due to the weight of the crossbars and legs.

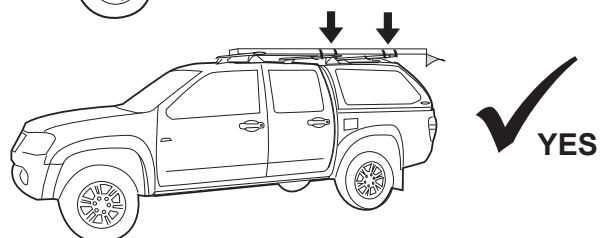
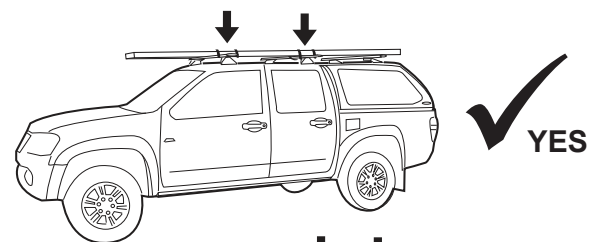
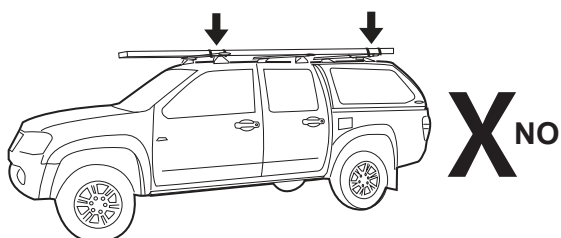


$$60\text{kg load rating (Urban road)} = 30\text{kg load rating (Off road - } 60\text{kg} / 2)$$



WARNING! Important Load Carrying Instructions

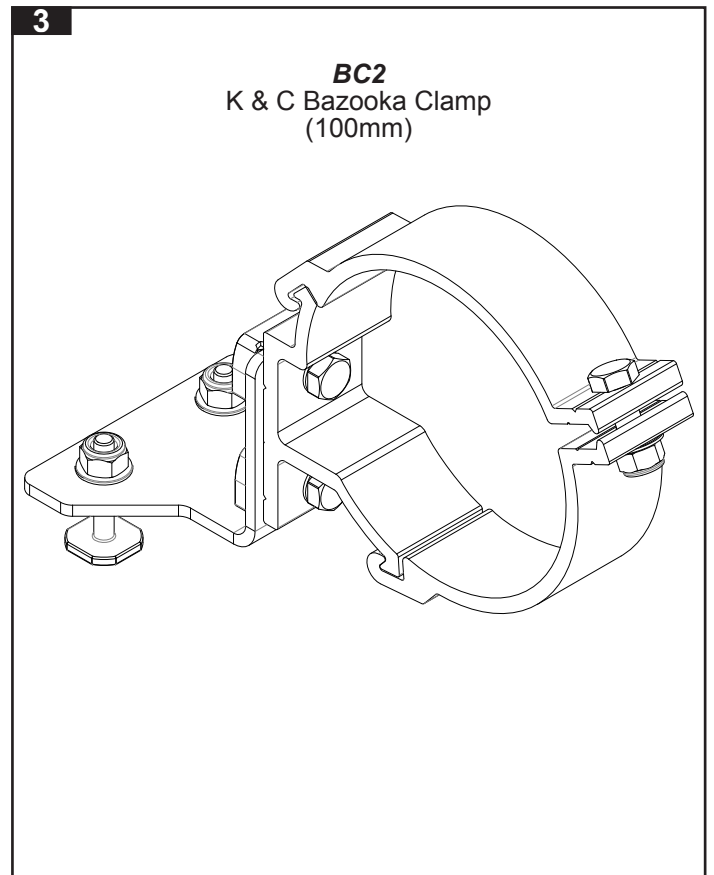
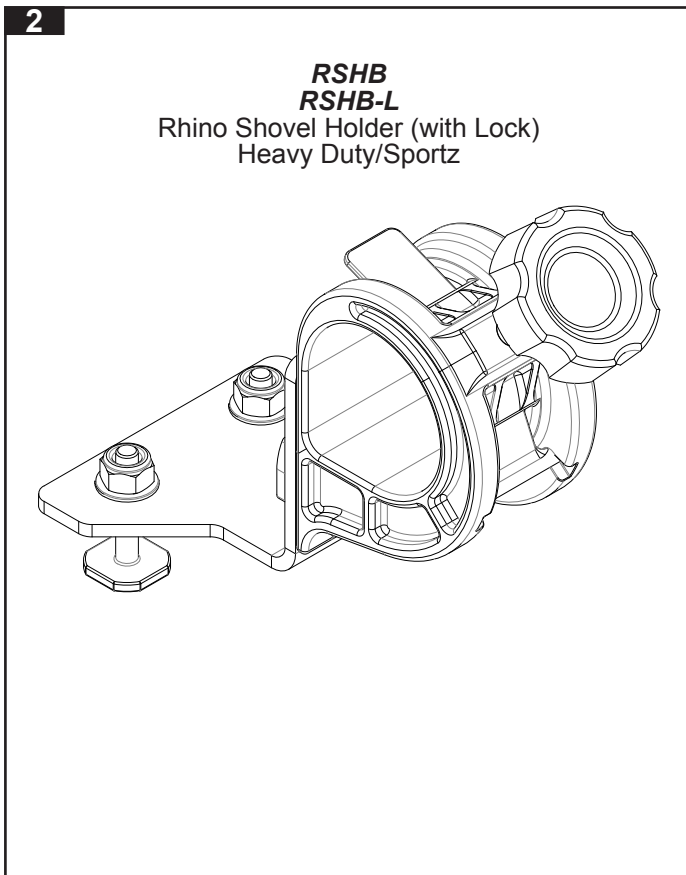
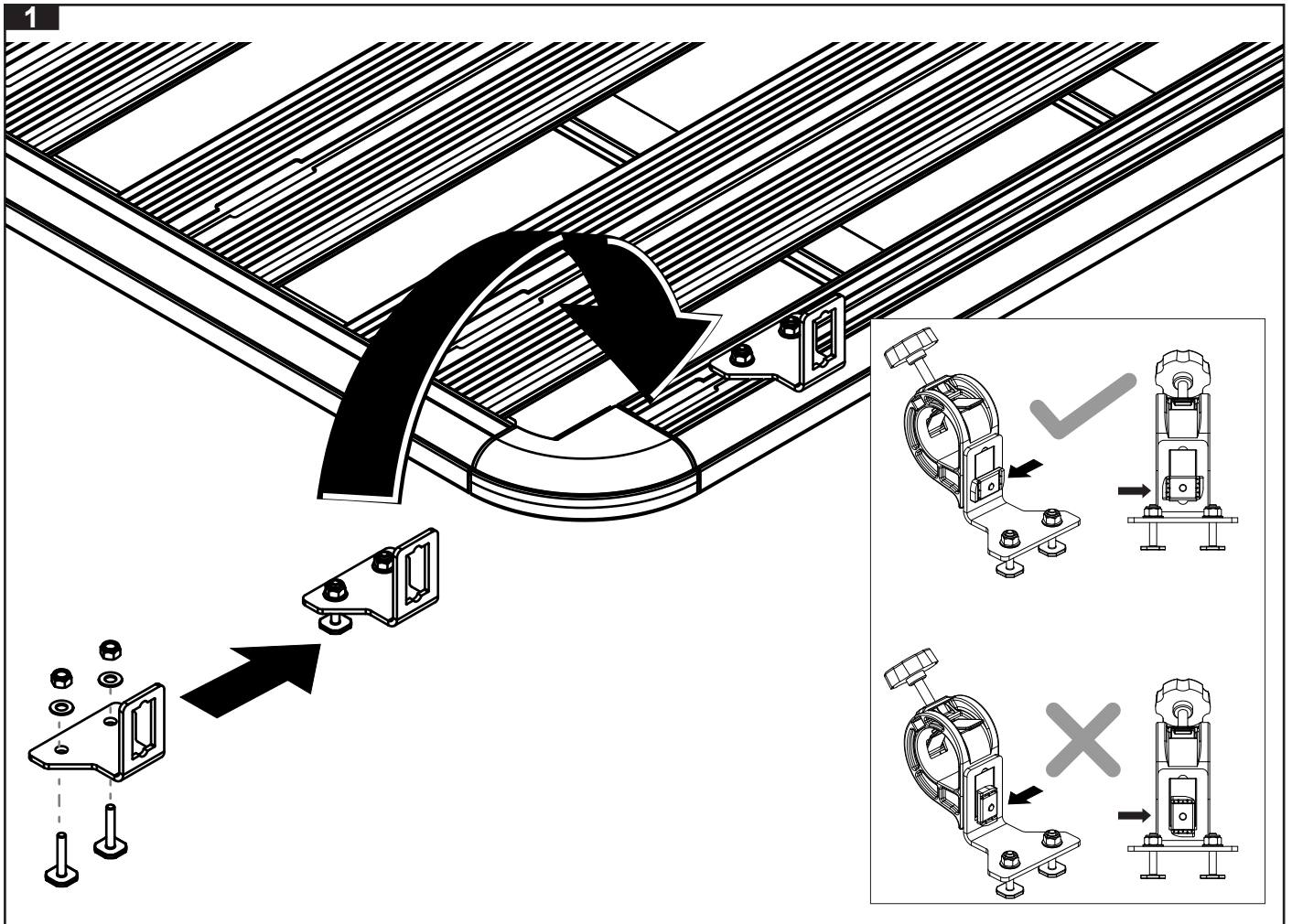
With utility vehicles, the cabin and the canopy move independently. Roof racks and vehicle can be damaged if the item transported is rigidly fixed at points on both the cabin and canopy. Instead, rigidly fix to either the cabin roof racks or the canopy roof racks.





31114 Multi-purpose Shovel Conduit Holder Bracket

Fitting instructions for use with Pioneer Tray

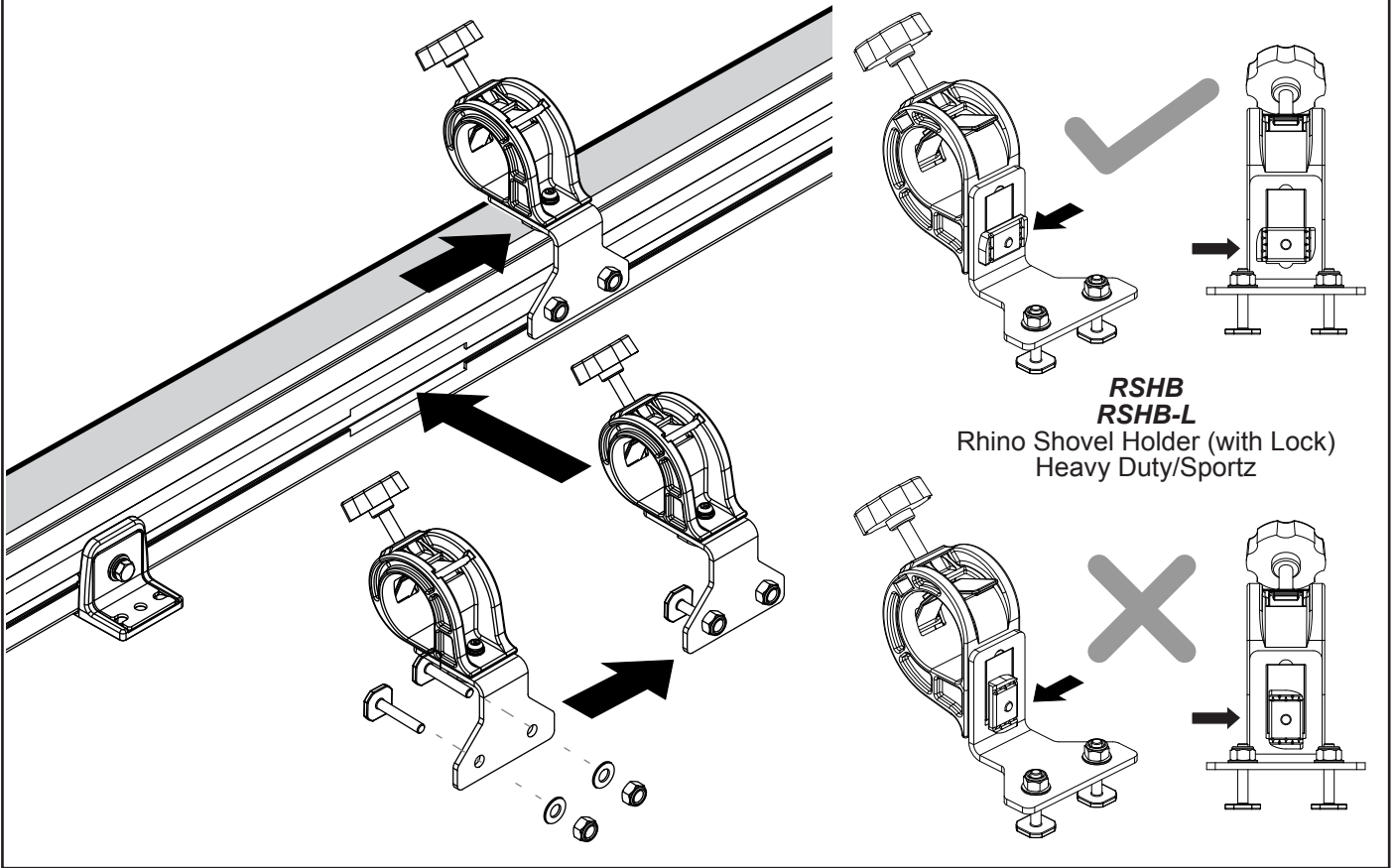




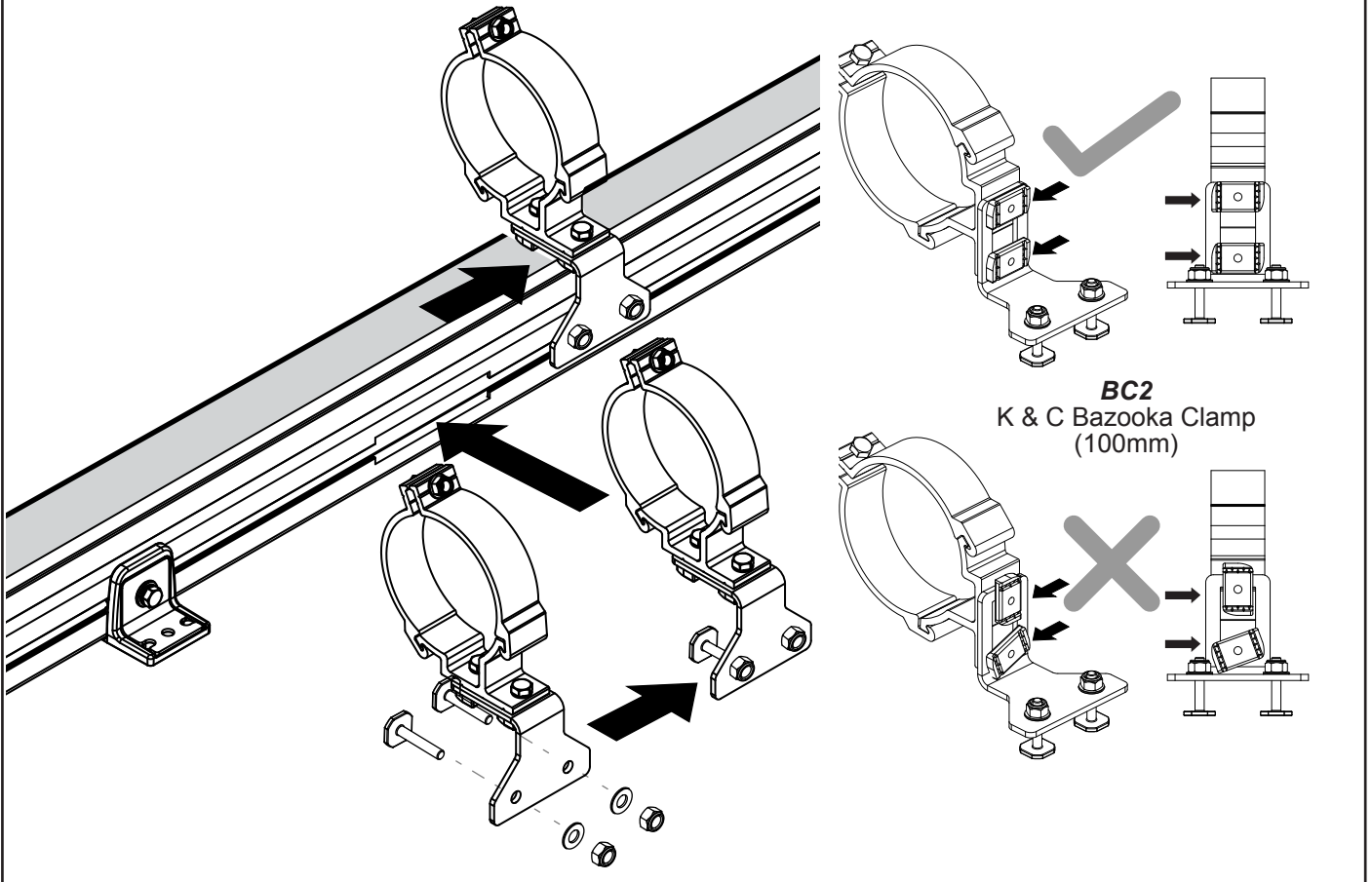
31114 Multi-purpose Shovel Conduit Holder Bracket

Fitting instructions for use with Sunseeker Awning

1 Installing the Shovel Holder bracket on Sunseeker Awning



2 Installing the K & C bracket on Sunseeker Awning

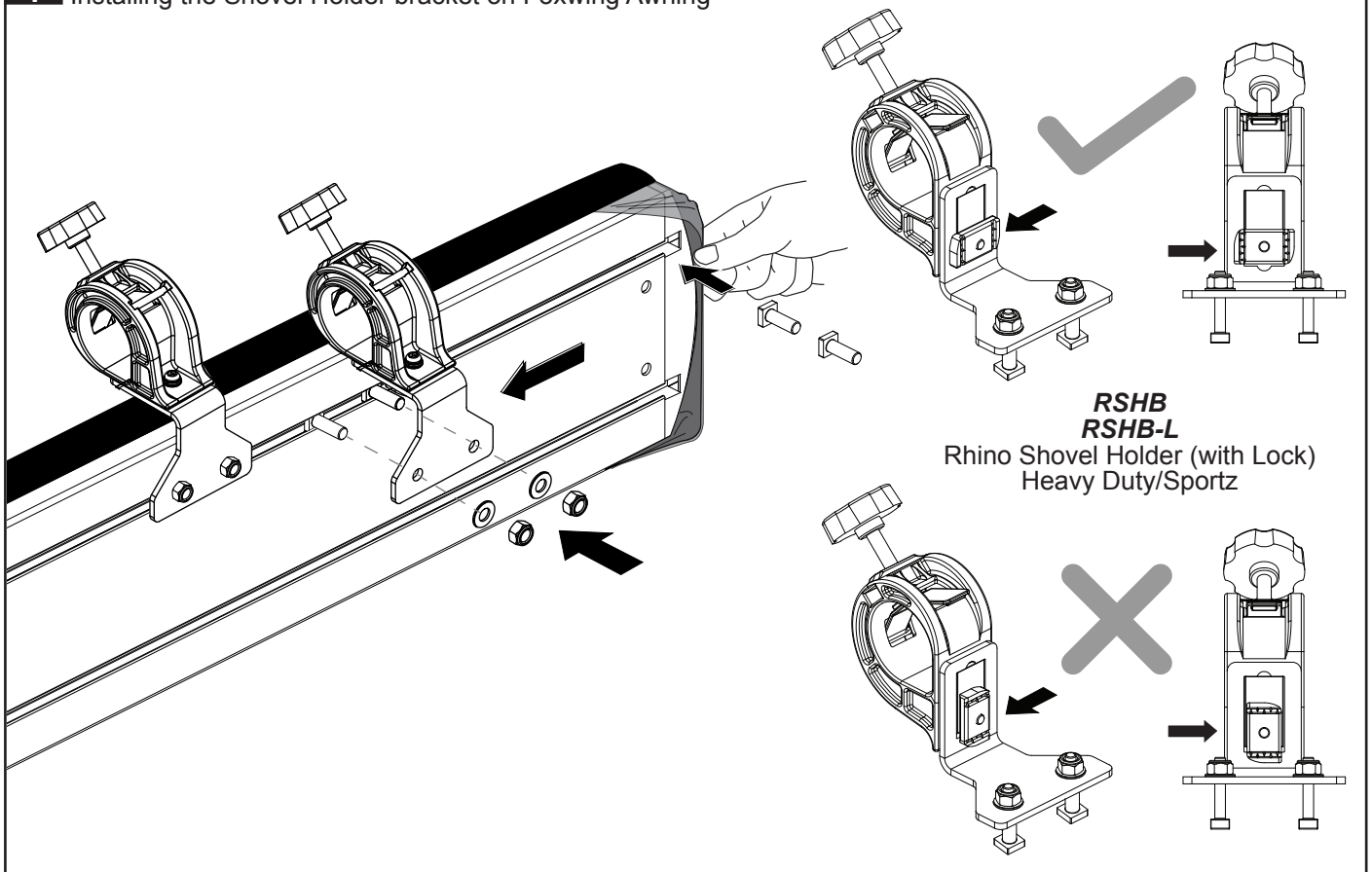




31114 Multi-purpose Shovel Conduit Holder Bracket

Fitting instructions for use with Foxwing Awning

1 Installing the Shovel Holder bracket on Foxwing Awning



2 Installing the K & C bracket on Foxwing Awning

